

**USB Connector**

**SPECIFICATIONS**

**Mechanical**

**Mating Force:** 3.50Kg (7.71Lb) max.  
**Unmating Force:** 1.00Kg (2.20Lb) min.  
**Durability:** 1500 Cycles

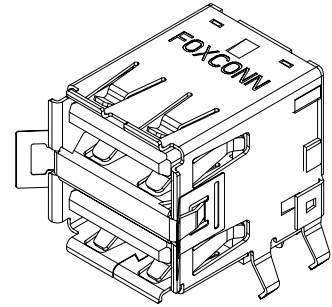
**Electrical**

**Current Rating:** 1.5A  
**Contact Resistance:** 30mΩ max.  
**Dielectric Withstanding Voltage:** 500V AC/1min min.  
**Insulation Resistance:** 1000MΩ min.

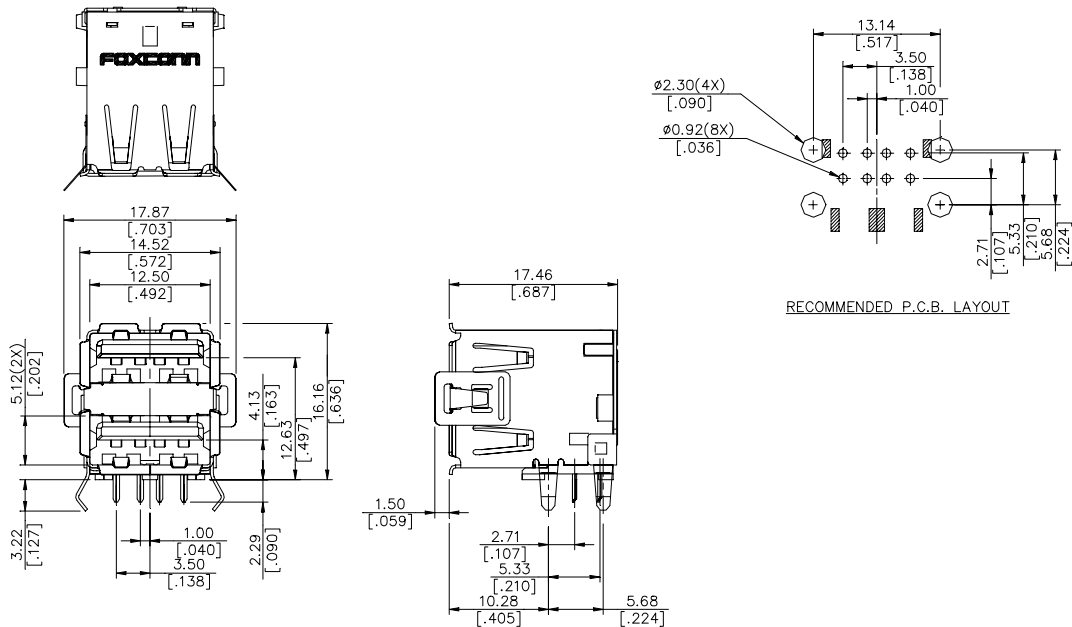
**Physical**

**Housing:** Thermoplastic, UL 94V-0 rated  
**Contact and Shell:** Copper alloy  
**Plating:** See "ORDERING INFORMATION"  
**Operating Temperature:** -55 to +85

**UB Series**  
**Right Angle, T/H**  
**4 Pos.**



**DRAWING**



**ORDERING INFORMATION**

**PRODUCT NO.:** UB 1 1 1 2 \*-8D0-4 F

**USB Series** ————  
 USB A Type  
**Termination Type** ————  
 0= Straight  
 1= Right Angle  
 3= Up Right  
 5= SMT  
**Contact Design Type** ————  
 1= Female  
**No. of Pos** ————  
 1= 4 Pos  
**Profile Height** ————  
 2= 4.13 [.163]  
 3= 6.50 [.256]

**Lead Free Type**  
 F= Lead Free  
**Package Code**  
 4= Soft Tray  
**Modification Code**  
**Contact Area Plating**  
 3= 30u" Gold  
 C= 30u" Pd/Ni+Gold Flash

UB1112C-8D0-4F	30u" Pd/Ni+GOLD FLASH AT CONTACT AREA
UB11123-8D0-4F	30u" GOLD PLATED AT CONTACT AREA
<b>P/N</b>	<b>PLATING</b>