



Features

- Maximum height of 1.5 mm
- Current up to 2.2 A
- RoHS compliant*

Applications

- Input/output of DC/DC converters
- Power supplies for:
 - Portable communication equipment
 - Camcorders
 - LCD TVs
 - Car radios

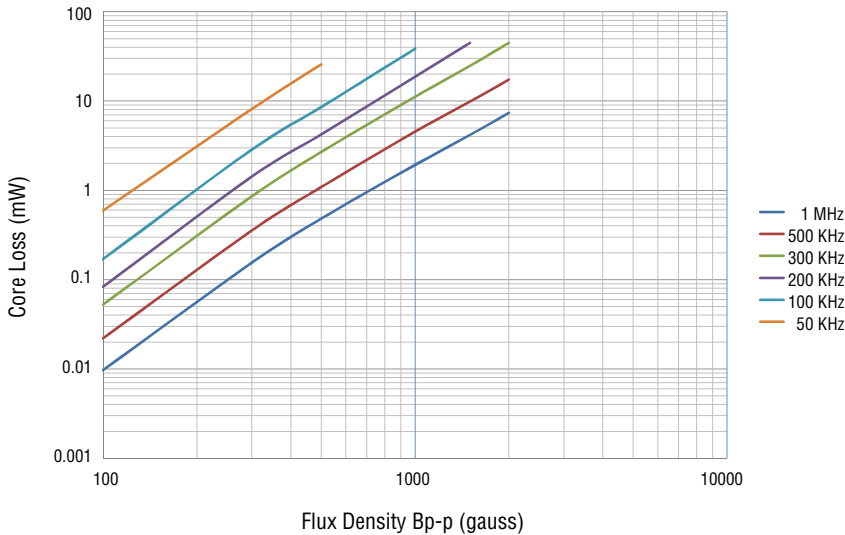
SRU2013 Series - Shielded SMD Power Inductors

Electrical Specifications

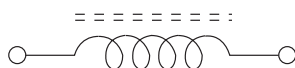
Bourns Part No.	Inductance 100 KHz		Q Ref.	Test Freq. (MHz)	SRF Typ. (MHz)	RDC Max. (mΩ)	I _{rms} Max. (A)	I _{sat} Typ. (A)	Marking	**K-Factor
	(μH)	Tol. %								
SRU2013-1R0Y	1.0	±30	9	7.96	180	65	2.20	1.60	A	2418
SRU2013-2R2Y	2.2	±30	10	7.96	100	120	1.45	0.95	C	1497
SRU2013-3R3Y	3.3	±30	10	7.96	80	135	1.00	0.86	E	1258
SRU2013-4R7Y	4.7	±30	10	7.96	72	220	0.90	0.75	F	1014
SRU2013-6R8Y	6.8	±30	10	7.96	60	330	0.80	0.60	G	898
SRU2013-100Y	10	±30	12	2.52	40	520	0.67	0.45	H	731
SRU2013-150Y	15	±30	12	2.52	30	850	0.46	0.40	I	593
SRU2013-220Y	22	±30	12	2.52	25	880	0.40	0.35	J	484
SRU2013-330Y	33	±30	12	2.52	20	1820	0.30	0.25	K	398
SRU2013-470Y	47	±30	14	2.52	15	2860	0.25	0.23	L	318

**K-Factor: To calculate core flux density, B_{p-p} (gauss) = $K \times L(\mu H) \times \Delta I$ (peak-to-peak ripple current, A), determine core loss from *Core Loss vs. Flux Density* plot.

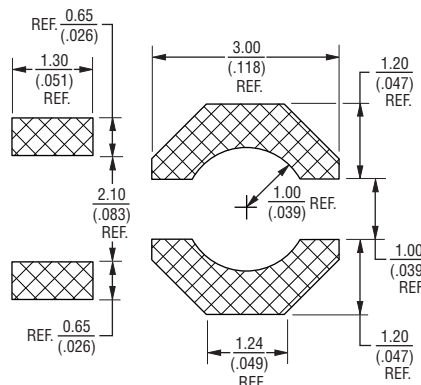
Core Loss vs. Flux Density



Electrical Schematic



Recommended Layout



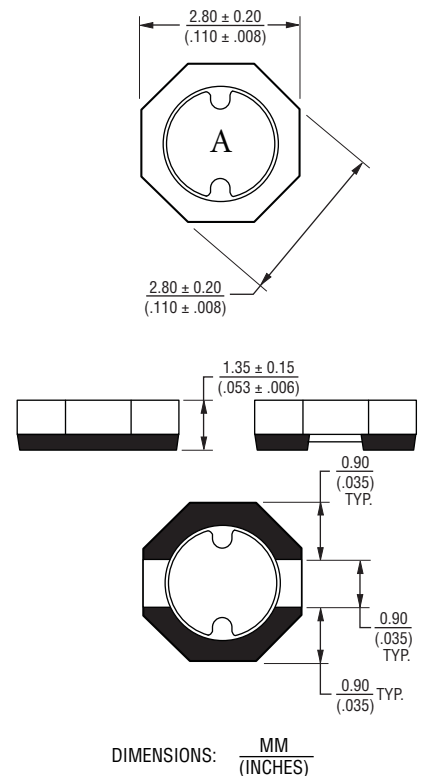
General Specifications

Test Voltage 0.1 V
 Reflow Soldering .. 230 °C, 50 sec. max.
 Operating Temperature -40 °C to +125 °C
 (Temperature rise included)
 Storage Temperature -40 °C to +125 °C
 Resistance to Soldering Heat 260 °C for 10 sec.

Materials

Core Ferrite DR and RI core
 Terminal Ag/Ni/Sn
 Rated Current Ind. drop 35 % typ. at I_{sat}
 Temperature Rise 40 °C max. at rated I_{rms}
 Packaging 1,200 pcs. per reel

Product Dimensions

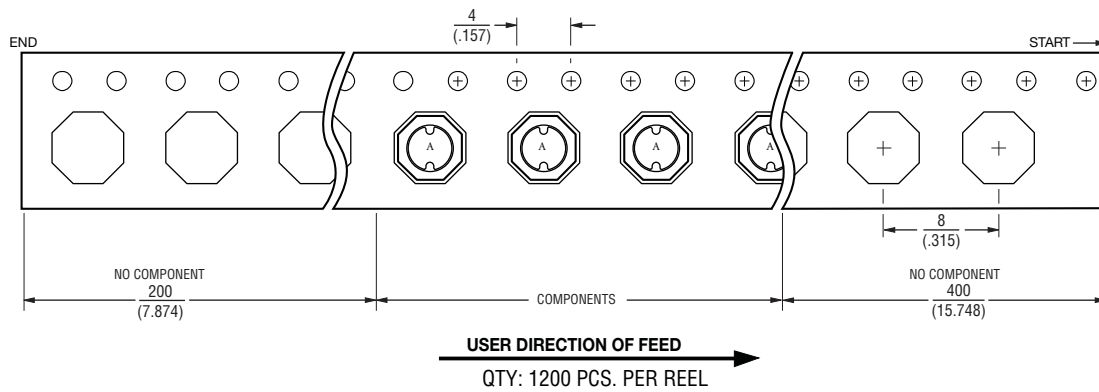
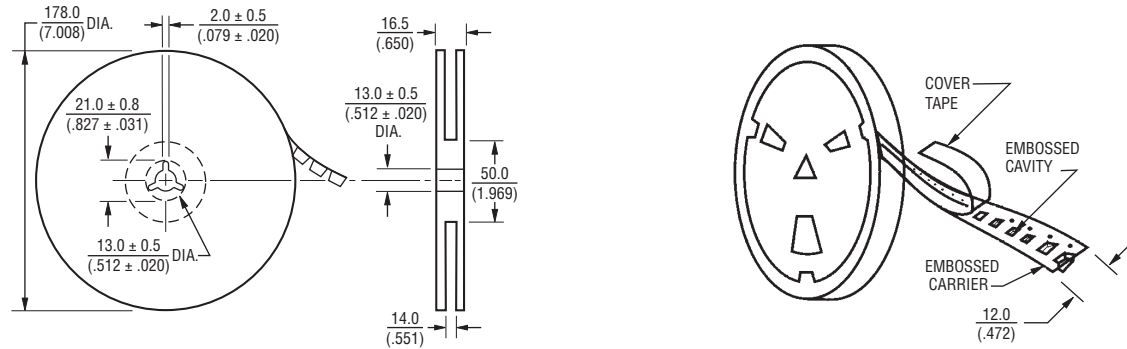


* RoHS Directive 2002/95/EC Jan. 27, 2003 including annex and RoHS Recast 2011/65/EU June 8, 2011. Specifications are subject to change without notice. The device characteristics and parameters in this data sheet can and do vary in different applications and actual device performance may vary over time. Users should verify actual device performance in their specific applications.

SRU2013 Series - Shielded SMD Power Inductors

BOURNS®

Packaging Specifications



DIMENSIONS: $\frac{\text{MM}}{\text{(INCHES)}}$

REV. 10/13

Specifications are subject to change without notice.
 The device characteristics and parameters in this data sheet can and do vary in different applications and actual device performance may vary over time.
 Users should verify actual device performance in their specific applications.