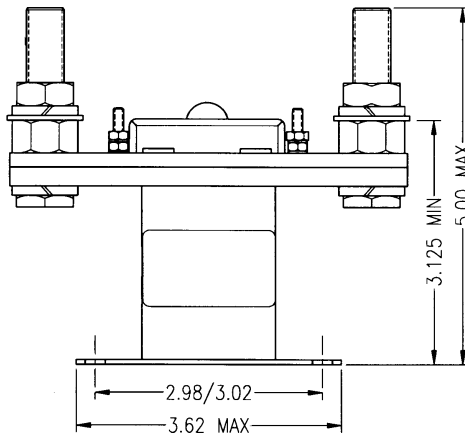
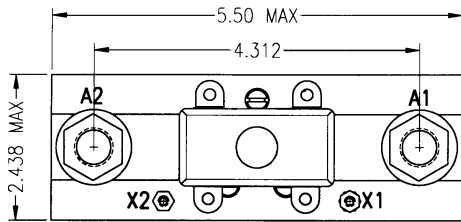
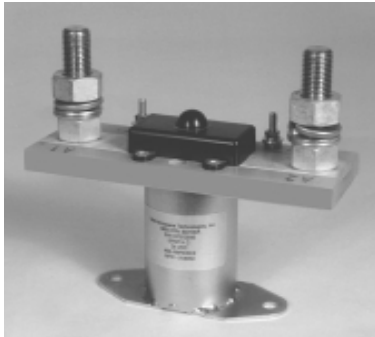
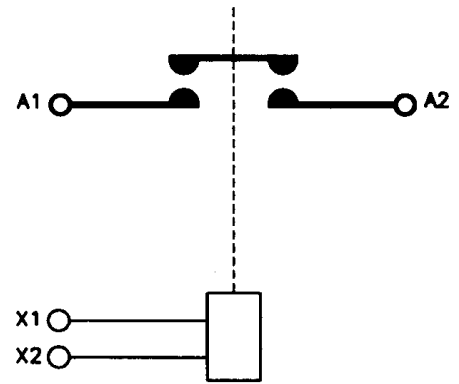


SD130A SPST, 400 Amps, 28 VDC



CONTACTOR CONFIGURATION



Dimensions for this product are expressed in inches.
Multiply values by 25.4 for millimeters.

PRODUCT SPECIFICATIONS	
Construction	Gasket Sealed
Main Contacts:	
Configuration	SPST N.O., Double Break
Voltage Nominal	28 VDC
Current Resistive	400 Amps
Coil Data:	
Duty Cycle	Continuous
Operating Voltage	18 - 32 VDC
Drop-Out Voltage	1.5 - 7 VDC
Coil Resistance	66 ±15 Ohms at 25°C
Environmental Data:	
Operating Temperature Maximum	-55°C to +71°C
Life	
Electrical	50,000 Cycles
Mechanical	100,000 Cycles
Weight Maximum	2 Lbs. 10 Oz.

Notes:

For factory-direct application assistance, contact the HARTMAN product team at (419) 521-9500, Fax (419) 526-2749.

© 2004 by Tyco Electronics Corporation. All Rights Reserved.
HARTMAN and TYCO are trademarks.