



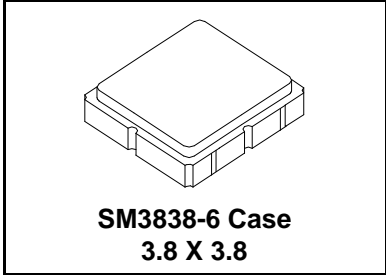
- **Ideal for European 868.95 MHz Transmitters**
- **Very Low Series Resistance**
- **Quartz Stability**
- **Complies with Directive 2002/95/EC (RoHS)**



The RO2156D is a true one-port, surface-acoustic-wave (SAW) resonator in a surface-mount ceramic case. It provides reliable, fundamental-mode, quartz frequency stabilization of fixed-frequency transmitters operating at 868.95 MHz. This SAW is designed specifically for remote-control and wireless security transmitters operating under ETSI-ETS 300 220 in Europe and under FTZ 17 TR 2100 in Germany.

RO2156D
RO2156D-1
RO2156D-2

868.95 MHz
SAW
Resonator



Absolute Maximum Ratings

Rating	Value	Units
Input Power Level	10	dBm
DC Voltage	12	VDC
Storage Temperature	-40 to +85	°C
Soldering Temperature (10 seconds / 5 cycles max.)	260	°C

Electrical Characteristics

Characteristic	Sym	Notes	Minimum	Typical	Maximum	Units	
Frequency at +25°C Nominal Frequency	RO2156D RO2156D-1 RO2156D-2	f_C	2,3,4,5	868.875		869.025	MHz
				868.875		869.175	
				868.850		869.050	
Tolerance from 868.95 MHz	RO2156D RO2156D-1 RO2156D-2	Δf_C			±75	kHz	
				-75	+225		
					±100		
Insertion Loss	IL	2,5,6		1.1	2.0	dB	
Quality Factor	Unloaded Q	Q_U	5,6,7	20,000			
	50 Ω Loaded Q	Q_L		2,400			
Temperature Stability	Turnover Temperature	T_O		10	25	40	°C
	Turnover Frequency	f_O	6,7,8		f_C		kHz
	Frequency Temperature Coefficient	FTC			0.032		ppm/°C ²
Frequency Aging	Absolute Value during the First Year	fA	1	<±10		ppm/yr	
DC Insulation Resistance between Any Two Terminals		5	1.0			MΩ	
RF Equivalent RLC Model	Motional Resistance	R_M			15		Ω
	Motional Inductance	L_M	5, 6, 7, 9		50		μH
	Motional Capacitance	C_M			0.7		fF
	Shunt Static Capacitance	C_O	5, 6, 7, 9		2.3		pF
Lid Symbolization (in Addition to Lot and/ or Date Code)	433 / YWWD						
Standard Reel Quantity	3000 Pieces / Reel						



CAUTION: Electrostatic Sensitive Device. Observe precautions for handling.

Notes:

1. Lifetime (10 year) frequency aging.
2. The center frequency, f_C , is measured at the minimum insertion loss point, IL_{MIN} , with the resonator in the 50 Ω test system (VSWR ≤ 1.2:1). The shunt inductance, L_{TEST} , is tuned for parallel resonance with C_O at f_C .
3. One or more of the following United States patents apply: 4,454,488 and 4,616,197.
4. Typically, equipment utilizing this device requires emissions testing and government approval, which is the responsibility of the equipment manufacturer.
5. Unless noted otherwise, case temperature $T_C = +25°C ± 2°C$ for all specifications.
6. The design, manufacturing process, and specifications of this device are subject to change without notice.
7. Derived mathematically from one or more of the following directly measured parameters: f_C , IL, 3 dB bandwidth, f_C versus T_C , and C_O .
8. Turnover temperature, T_O , is the temperature of maximum (or turnover) frequency, f_O . The nominal frequency at any case temperature, T_C , may be calculated from: $f = f_O [1 - FTC (T_O - T_C)^2]$.
9. This equivalent RLC model approximates resonator performance near the resonant frequency and is provided for reference only. The capacitance C_O is the static (nonmotional) capacitance between the two terminals measured at low frequency (10 MHz) with a capacitance meter. The measurement includes parasitic capacitance with "NC" pads unconnected. Case parasitic capacitance is approximately 0.05pF. Transducer parallel capacitance can be calculated as: $C_P = C_O - 0.05 pF$.

868.95 MHz

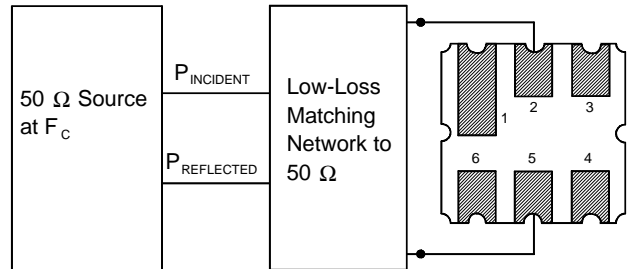
SAW Resonator

Electrical Connections

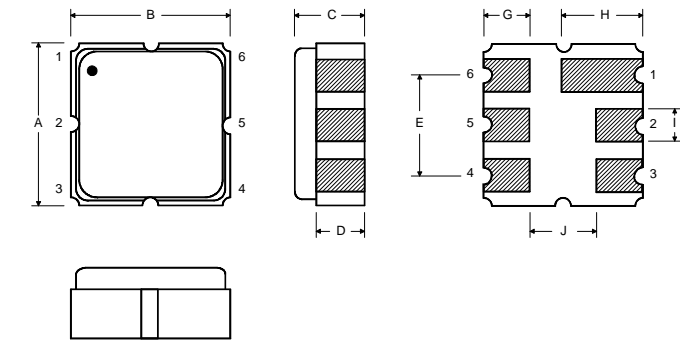
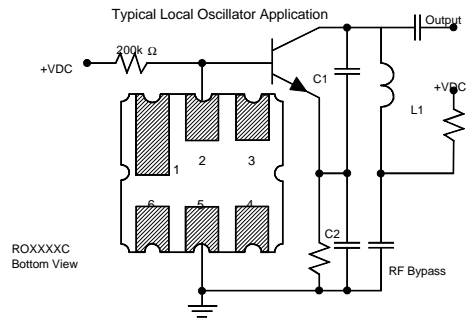
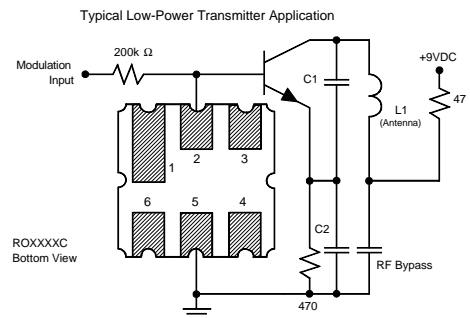
The SAW resonator is bidirectional and may be installed with either orientation. The two terminals are interchangeable and unnumbered. The callout NC indicates no internal connection. The NC pads assist with mechanical positioning and stability. External grounding of the NC pads is recommended to help reduce parasitic capacitance in the circuit.

Pin	Connection
1	NC
2	Terminal
3	NC
4	NC
5	Terminal
6	NC

Power Test



Typical Application Circuits



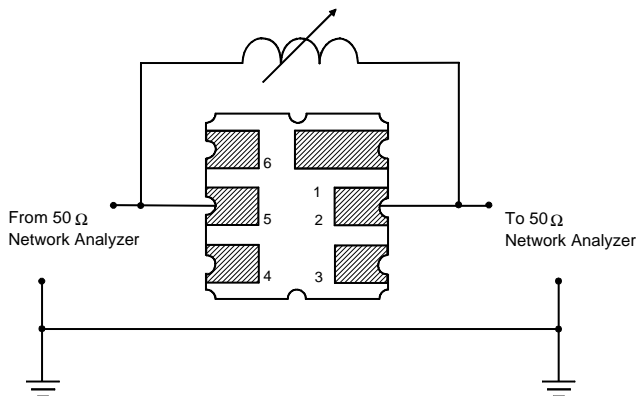
Case Dimensions

Dimension	mm			Inches		
	Min	Nom	Max	Min	Nom	Max
A	3.60	3.80	4.0	0.14	0.15	0.16
B	3.60	3.80	4.0	0.14	0.15	0.16
C	1.00	1.20	1.40	0.04	0.05	0.055
D	0.95	1.10	1.25	0.037	0.043	0.05
E	2.39	2.54	2.69	0.090	0.10	0.110
G	0.90	1.0	1.10	0.035	0.04	0.043
H	1.90	2.0	2.10	0.75	0.08	0.83
I	0.50	0.6	0.70	0.020	0.024	0.028
J	1.70	1.8	1.90	0.067	0.07	0.075

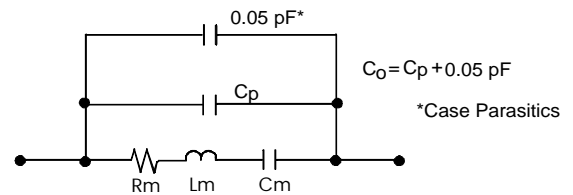
Typical Test Circuit

The test circuit inductor, L_{TEST} , is tuned to resonate with the static capacitance, C_0 , at F_C .

Electrical Test



Equivalent LC Model



Temperature Characteristics

The curve shown on the right accounts for resonator contribution only and does not include LC component temperature contributions.

