

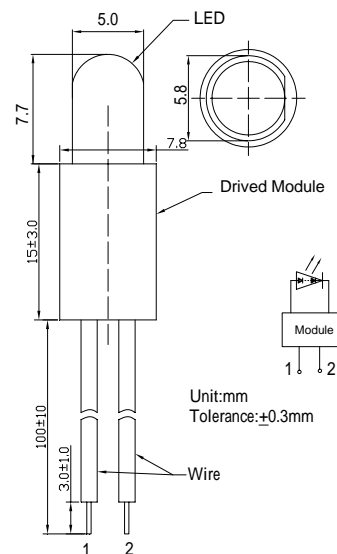
Features

- High Luminous LEDs
- 5mm Round Standard Directivity
- Superior Weather-resistance
- UV Resistant Epoxy
- 110V AC LED
- Water Clear Type

Applications

- Small Area Lighting
- Other Lighting

Outline Dimension

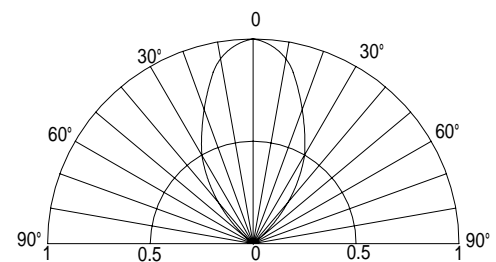


Absolute Maximum Rating

(Ta=25)

Item	Symbol	Value	Unit
AC Voltage	V_i	115	V
AC Current	I	7	mA
Power Dissipation	P_D	805	mW
Operating Temperature	Topr	-30 ~ +85	
Storage Temperature	Tstg	-30 ~ +85	
Lead Soldering Temperature	Tsol	260 /5sec	-

Directivity



Electrical -Optical Characteristics (Ta=25)

Part Number	Color		I(mA)			v (lm)*			λD (nm)*			2 θ 1/2(deg)
			Min	Typ.	Max.	Min.	Typ.	Max.	Min.	Typ.	Max.	Typ.
			$V_i = 110VAC$			$V_i = 110VAC$						
OS5W7L5161A-PPW	Cool White	W	5	6	7	28	30	-	X=0.27, Y=0.28			60
OS5M7L51611A-PPW	Warm White	M	5	6	7	23	25	-	X=0.45, Y=0.41			60

*1 Tolerance of chromaticity coordinates is $\pm 10\%$, Tolerance of λd is $\pm 1nm$.

*2 Tolerance of luminous intensity is $\pm 15\%$