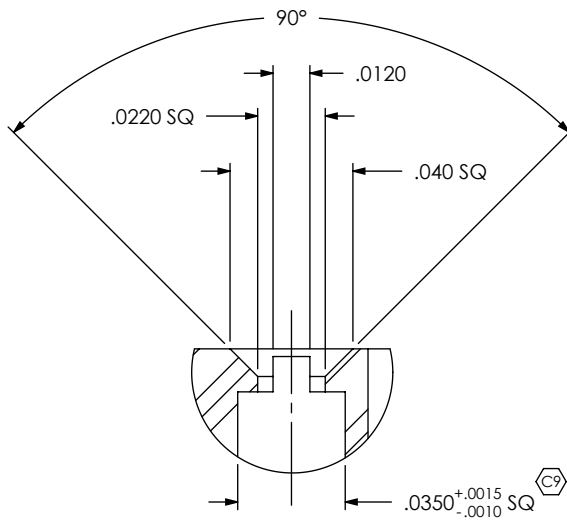
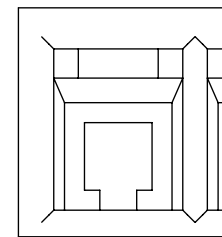


DETAIL 'E'  
SCALE 16:1



DETAIL 'C'  
SCALE 16:1



DETAIL 'D'  
SCALE 16:1

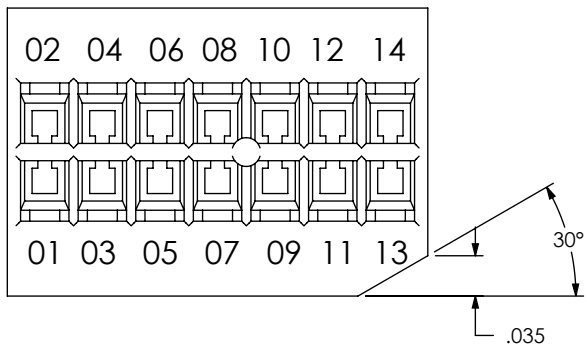


FIG. 2  
ISDF-07-D-C SHOWN  
SAME AS FIG. 1 UNLESS SPECIFIED

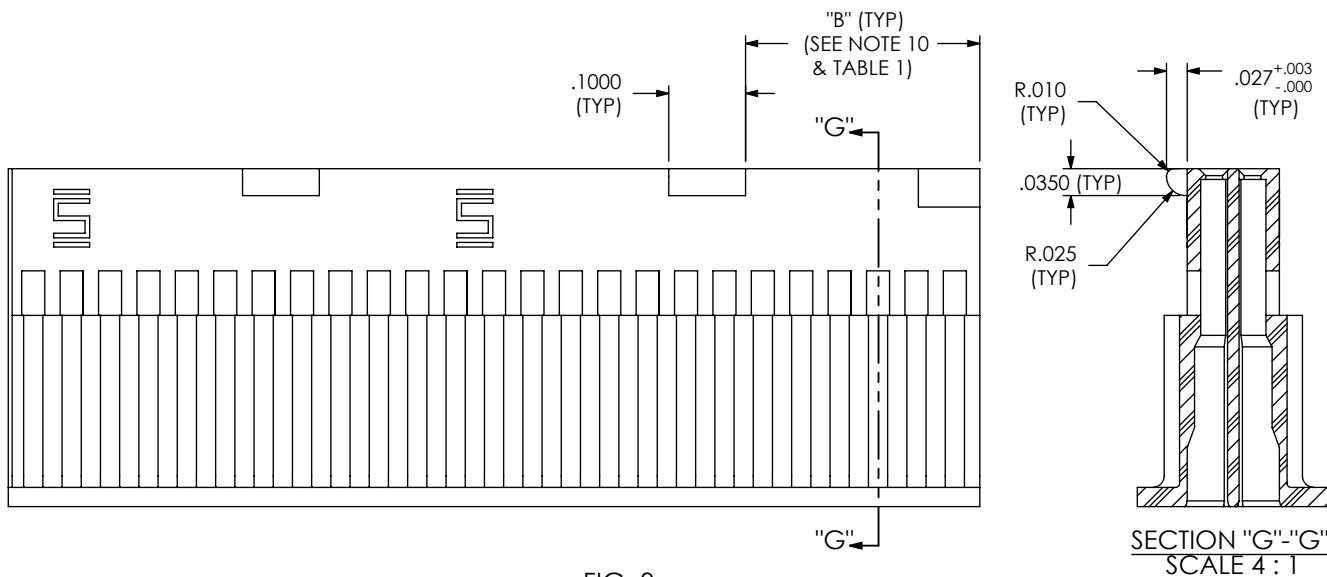


FIG. 3  
ISDF-25-D-L SHOWN  
SAME AS FIG. 1 EXCEPT AS SHOWN

TABLE 1 (SEE NOTE 10)	
NO OF POS.	"B"
-05,-07	.0800
-10 THRU -50	.3050

**PROPRIETARY NOTE**  
THIS DOCUMENT CONTAINS INFORMATION CONFIDENTIAL AND PROPRIETARY TO SAMTEC, INC. AND SHALL NOT BE REPRODUCED OR TRANSFERRED TO OTHER DOCUMENTS OR DISCLOSED TO OTHERS OR USED FOR ANY PURPOSE OTHER THAN THAT WHICH IT WAS OBTAINED WITHOUT THE EXPRESSED WRITTEN CONSENT OF SAMTEC, INC.

DO NOT SCALE DRAWING

SHEET SCALE: 1:0.166667



520 PARK EAST BLVD, NEW ALBANY, IN 47150  
PHONE: 812-944-6733 FAX: 812-948-5047  
e-Mail: info@SAMTEC.com code: 55322

DESCRIPTION:  
.050" CL CRIMP WIRE SOCKET INSULATOR

DWG. NO.  
ISDF-XX-D-X

BY: BRATCHER 5/4/2005 SHEET 2 OF 3

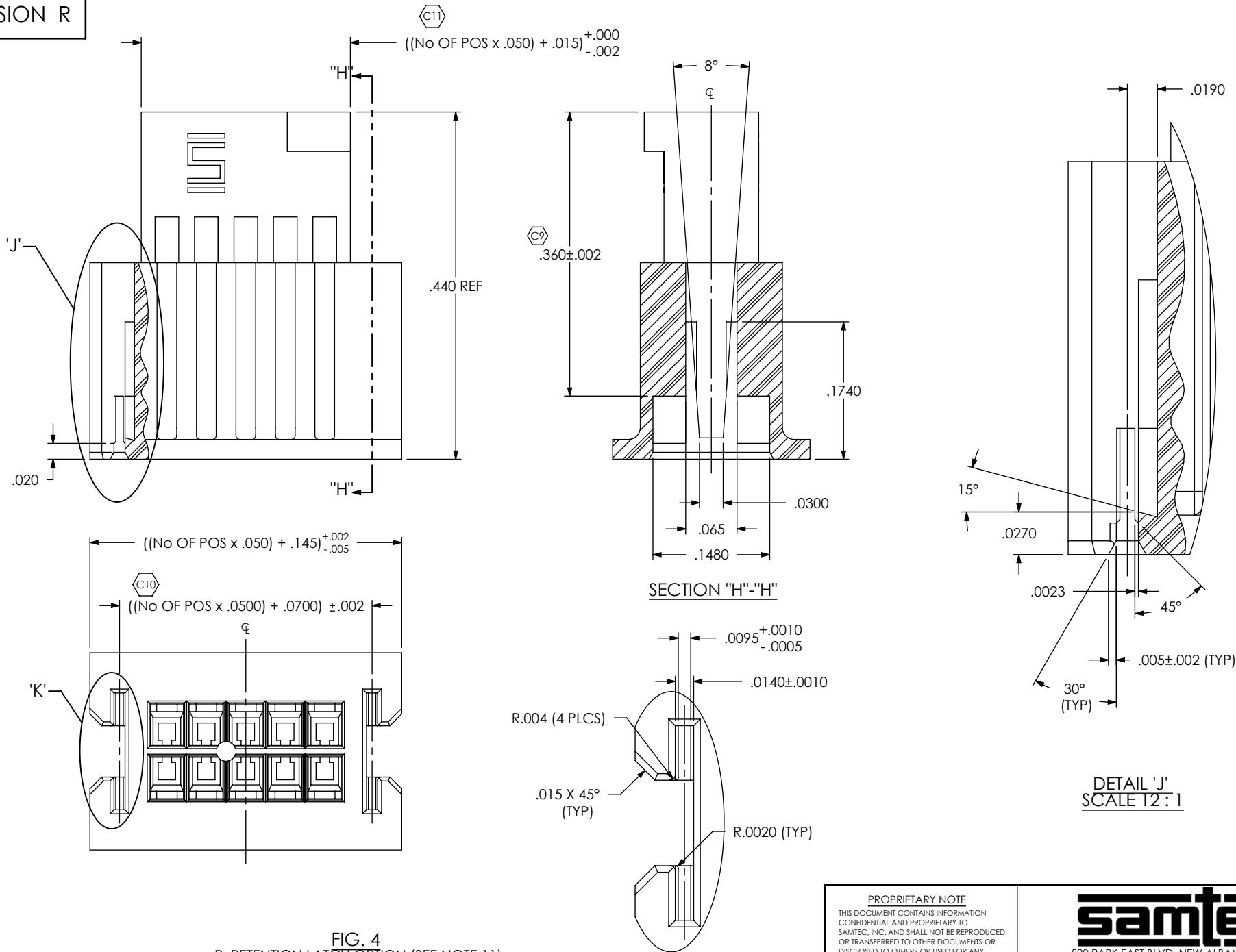


FIG. 4  
 -R: RETENTION LATCH OPTION (SEE NOTE 11)  
 (ISDF-05-D-R SHOWN)  
 (SAME AS FIG. 1 EXCEPT AS SHOWN)

DETAIL 'K'  
 SCALE 10:1

DETAIL 'J'  
 SCALE 12:1

PROPRIETARY NOTE  
 THIS DOCUMENT CONTAINS INFORMATION  
 CONFIDENTIAL AND PROPRIETARY TO  
 SAMTEC, INC. AND SHALL NOT BE REPRODUCED  
 OR TRANSFERRED TO OTHER DOCUMENTS OR  
 DISCLOSED TO OTHERS OR USED FOR ANY  
 PURPOSE OTHER THAN THAT WHICH IT WAS  
 OBTAINED WITHOUT THE EXPRESSED WRITTEN  
 CONSENT OF SAMTEC, INC.

DO NOT SCALE DRAWING

SHEET SCALE: 6:1

**samtec**

520 PARK EAST BLVD, NEW ALBANY, IN 47150  
 PHONE: 812-944-6733 FAX: 812-948-5047  
 e-Mail: info@SAMTEC.com code: 55322

DESCRIPTION:  
 .050" CL CRIMP WIRE SOCKET INSULATOR

DWG. NO.  
**ISDF-XX-D-X**

BY: BRATCHER 5/4/2005

SHEET 3 OF 3