

### Description

Amphenol's 81 Series FME Connectors are used for mobile antenna applications and can be adapted for either UHF, Mini-UHF, TNC, BNC and N connector interfaces using BSA adapters.

### Features/Benefits

- Crimp assembly providing easy installation
- Between Series adapters available for ease of adaptability

### Applications

- Telecommunications
- Wireless

**Specifications**

**Electrical**

Impedance 50 Ω nominal  
 Frequency Range DC -200 MHz

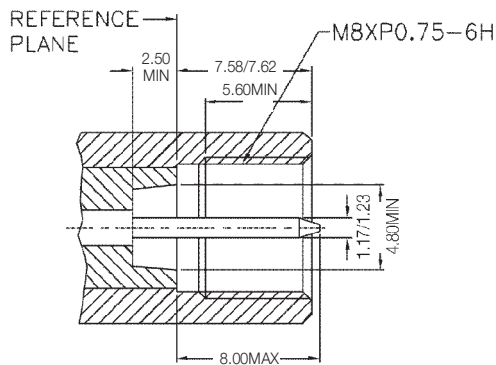
**Mechanical**

Mating M8XP .75 thd.  
 Cable Affixment Crimp

**Material**

Body, coupling sleeve, male contact Brass  
 Female contact Phosphor Bronze  
 Crimp Ferrule Brass  
 Plating Contacts: Gold  
 Other metal parts: Nickel  
 Insulator Teflon or Delrin

Plug



Jack

