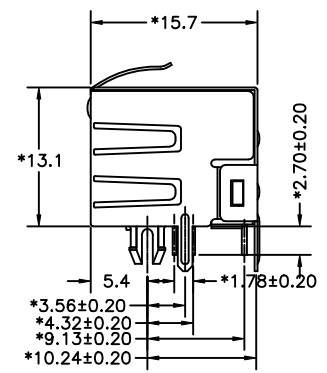
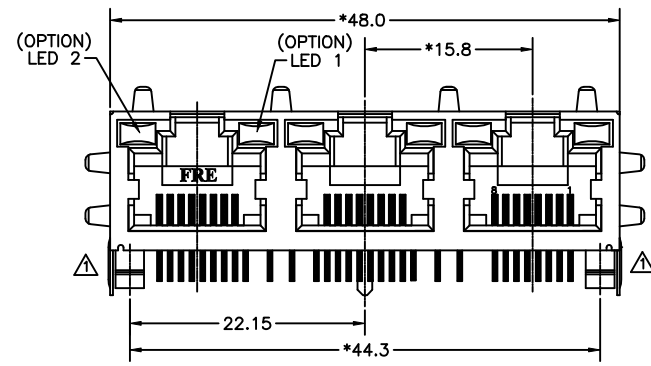
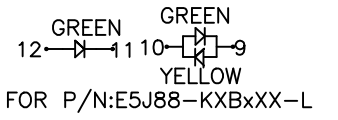
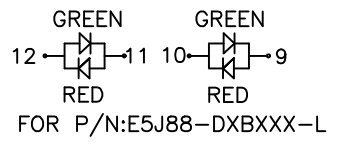
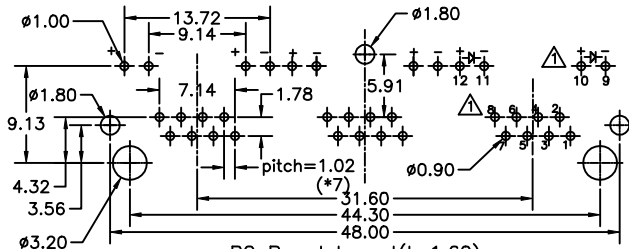


REVISION RECORD				
REV	ECO	DESCRIPTION	DRFT	CHKD
△		DRAWING MODIFY	YANGLAN 09/17/02	



NOTES:

ELECTRICAL:

- VOLTAGE RATING : 125 VAC RMS.
- CURRENT RATING : 1.5 AMP.
- CONTACT RESISTANCE : 30 MILLIOHMS MAX.
- INSULATION RESISTANCE: 1000 MEGOHMS MIN @ 500 VDC.
- DIELECTRIC STRENGTH : 1000 VAC RMS 60Hz, 1MIN.
- LED RATINGS: FORWARD VOLTAGE: 2.2 VOLTS TYPICAL.
REVERSE VOLTAGE: 5 VOLTS MAXIMUM.
- OPERATING: 750 CYCLES MIN.

MECHANICAL:

- HOUSING MATERIAL : PBT+30%GF UL94V-0. COLOR-BLACK.
- INSERT MATERIAL : PBT+30%GF UL94V-0. COLOR-BLACK.
- BACK PLATE MATERIAL: PBT+30%GF. COLOR-BLACK.
- LED SIZE : 3.2*2.0*7.0*P=2.54mm.
- SHIELD MATERIAL : COPPER ALLOY 0.25mm THICKNESS PLATING NI.
- CONTACT MATERIAL : PHOSPHOR BRONZE 0.35mm THICKNESS OR Ø0.46mm
- PLATING : GOLD PLATING OVER NICKEL.
- PCB RETENTION PRE-SOLDER : 1 LB MIN.
- PCB RETENTION POST-SOLDER: 10 LBS MIN.

ENVIRONMENTAL:

- STORAGE : -40°C TO +85°C.
 - OPERATION: 0°C TO 70°C.
 - WAVE SOLDERING TEMPERATURE: 230~250°C (5~10 SECONDS)
- MATES WITH MODULAR PLUG CONFORMING TO FCC PART 68, SUBPART F.

CUL FILE No:E163191

PART NUMBER: E5J88 - X X B X X X -L

- 1-LED1:GREEN ,LED2:YELLOW.
- 2-LED1:GREEN ,LED2:GREEN.
- 3-LED1:YELLOW ,LED2:GREEN.
- 5-LED1:RED ,LED2:GREEN.
- 7-LED1:YELLOW ,LED2:YELLOW.
- D-LED1:G+R ,LED2:G+R.
- K-LED1:G+Y LED2:GREEN
- 1-NO TAB
- 2-TOP TABS, 3-SIDE TABS.
- 4-TOP TABS & SIDE TABS.

- PLATING: 1-3u"
- 2-6u", 3-15u"
- 4-30u", 5-50u"
- 1-PLATE Tin SHIELD STAMP PIN ,No3 ERA LED
- 2-PLATE Ni SHIELD STAMP PIN ,No3 ERA LED
- 3-PLATE Tin SHIELD ROUND PIN ,No3 ERA LED
- 4-PLATE Ni SHIELD ROUND PIN ,No3 ERA LED
- 0-W\O LOGO
- 2-W\ FRE LOGO

DETACHED LISTS	← MM (INCH) →		DFTO yanglan	DATE 05/21/05*	FULL RISE ELECTRONIC CO., LTD
	TOLERANCES EXCEPT AS NOTED		CHKD JAKE	DATE 2005/08/23	
			MFO	DATE	
			APPVL LUSHENG	DATE 2005/08/23	
MM		±	MATERIAL :		TITLE
.0 ± 0.20		±	QT'Y :		RJ45 SIDE ENTRY LED GANG JACK 3 PORTS
.00 ± 0.15		±	FINISH :		DRAWING NO. GE5J3031-LC
.000 ± 0.075		±	SCALE : 2:1		/PART NO. SEE NOTE
ANGLES ±		THIRD ANGLE PROJECTION		DO NOT SCALE DRAWING	SIZE REV
				SHEET 1 OF 1	A3 1