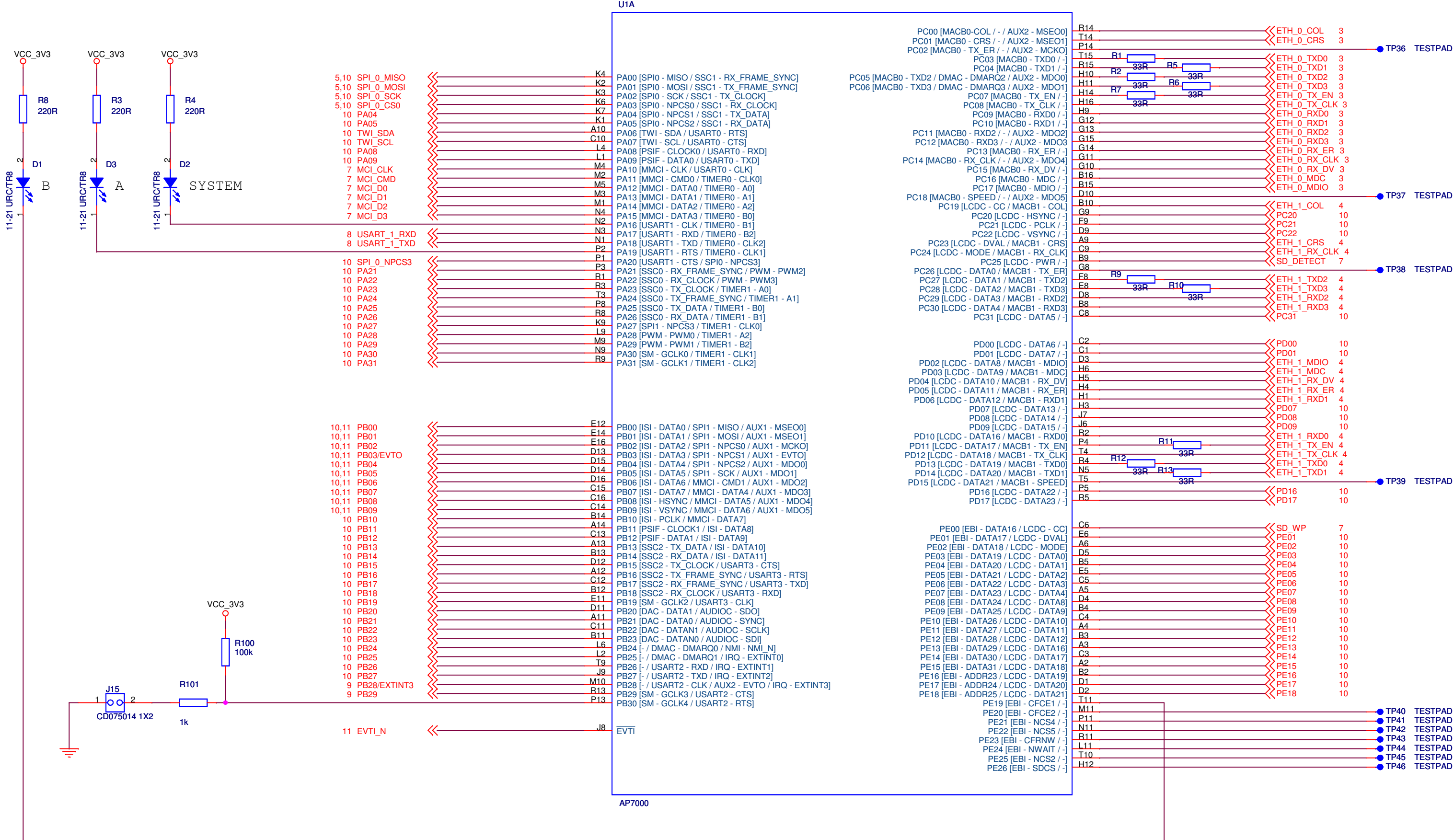
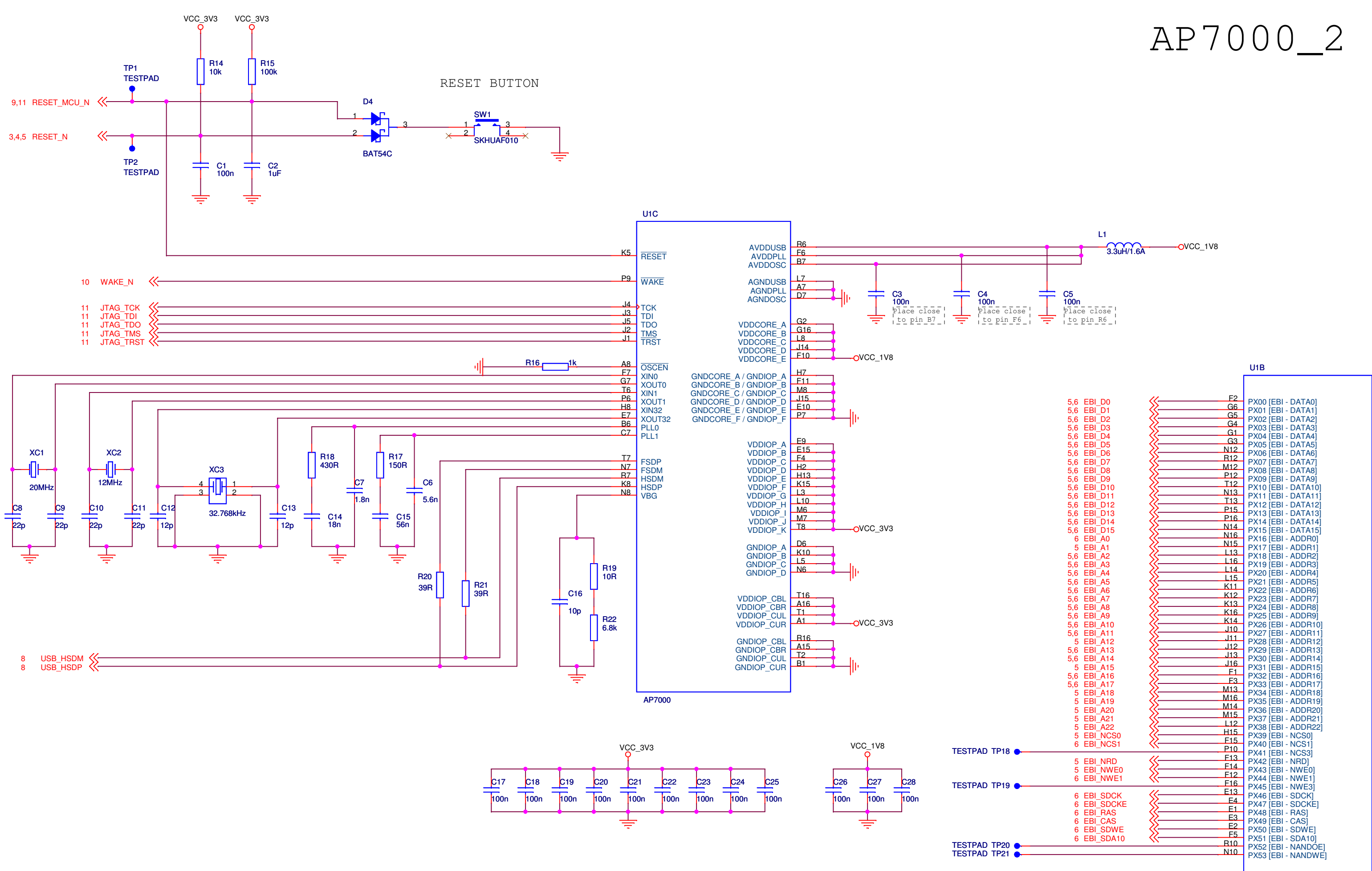


D  
C  
B  
A

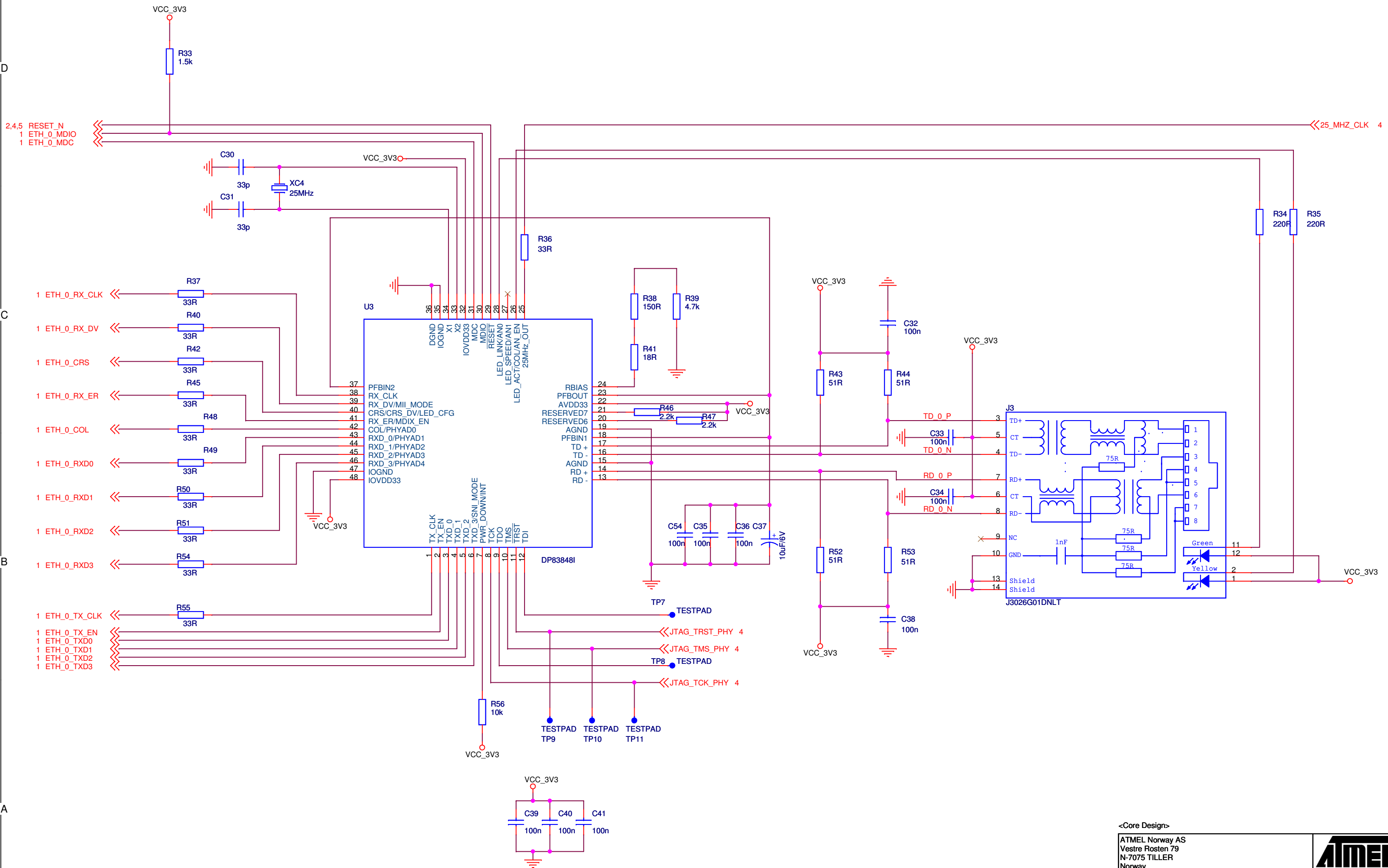


# AP7000\_2

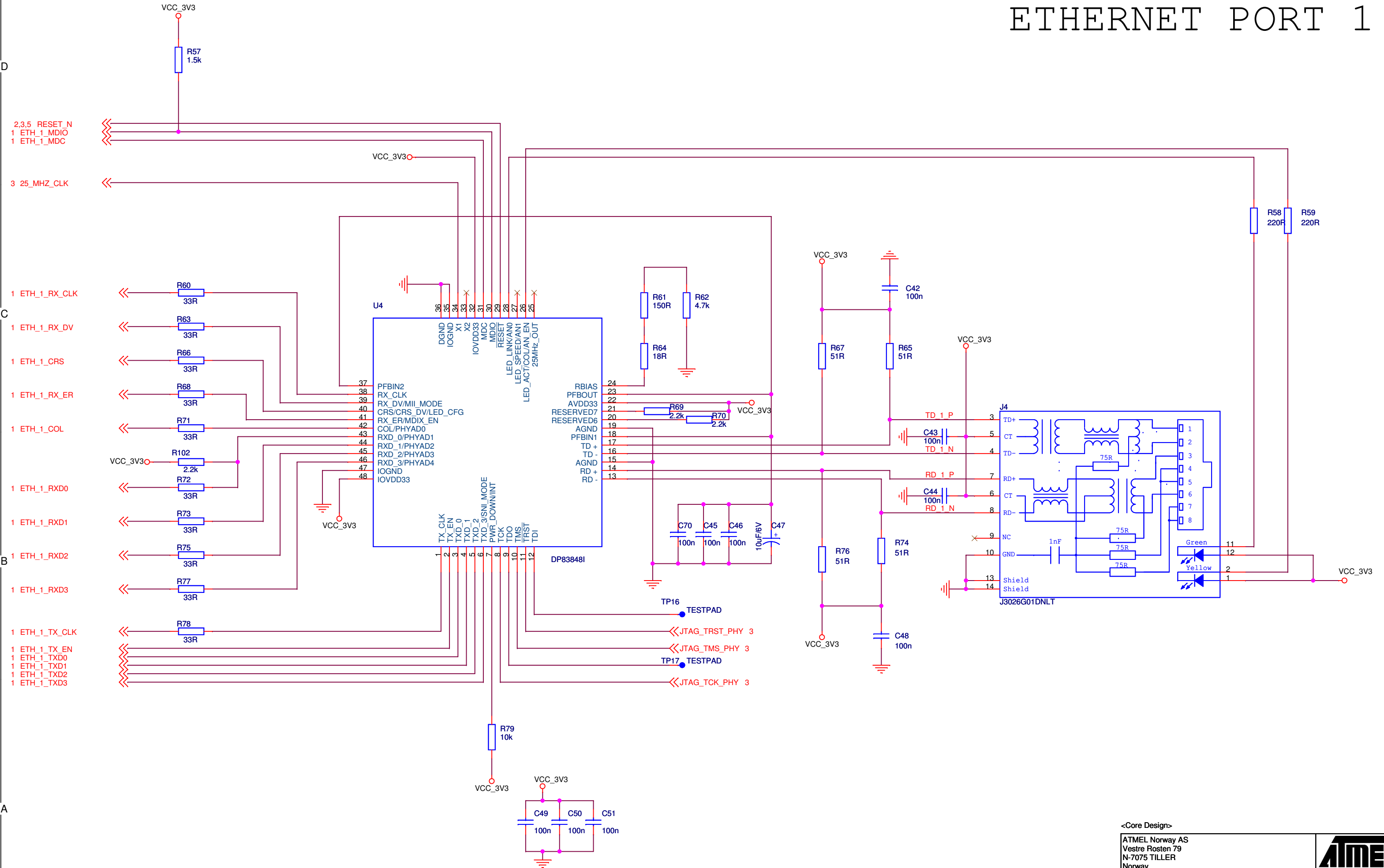


Pin	Signal	External Component
F2	PX00 [EBI - DATA0]	
G6	PX01 [EBI - DATA1]	
G5	PX02 [EBI - DATA2]	
G4	PX03 [EBI - DATA3]	
G1	PX04 [EBI - DATA4]	
G3	PX05 [EBI - DATA5]	
N12	PX06 [EBI - DATA6]	
R12	PX07 [EBI - DATA7]	
M12	PX08 [EBI - DATA8]	
P12	PX09 [EBI - DATA9]	
T12	PX10 [EBI - DATA10]	
N13	PX11 [EBI - DATA11]	
T13	PX12 [EBI - DATA12]	
P13	PX13 [EBI - DATA13]	
P16	PX14 [EBI - DATA14]	
N14	PX15 [EBI - DATA15]	
N16	PX16 [EBI - ADDR0]	
N15	PX17 [EBI - ADDR1]	
L13	PX18 [EBI - ADDR2]	
L16	PX19 [EBI - ADDR3]	
L14	PX20 [EBI - ADDR4]	
L15	PX21 [EBI - ADDR5]	
K11	PX22 [EBI - ADDR6]	
K12	PX23 [EBI - ADDR7]	
K13	PX24 [EBI - ADDR8]	
K16	PX25 [EBI - ADDR9]	
K14	PX26 [EBI - ADDR10]	
J10	PX27 [EBI - ADDR11]	
J11	PX28 [EBI - ADDR12]	
J12	PX29 [EBI - ADDR13]	
J13	PX30 [EBI - ADDR14]	
J16	PX31 [EBI - ADDR15]	
F1	PX32 [EBI - ADDR16]	
F3	PX33 [EBI - ADDR17]	
M13	PX34 [EBI - ADDR18]	
M16	PX35 [EBI - ADDR19]	
M14	PX36 [EBI - ADDR20]	
M15	PX37 [EBI - ADDR21]	
L12	PX38 [EBI - ADDR22]	
H15	PX39 [EBI - ADDR23]	
F15	PX40 [EBI - NCS0]	
P10	PX41 [EBI - NCS1]	
F13	PX42 [EBI - NRD]	
F14	PX43 [EBI - NWE0]	
F12	PX44 [EBI - NWE1]	
F16	PX45 [EBI - NWE3]	
E13	PX46 [EBI - SDCK]	
E4	PX47 [EBI - SDCKE]	
E1	PX48 [EBI - RAS]	
E3	PX49 [EBI - CAS]	
E2	PX50 [EBI - SDWE]	
F5	PX51 [EBI - SDA10]	
R10	PX52 [EBI - NANDOE]	
N10	PX53 [EBI - NANDWE]	

# ETHERNET PORT 0

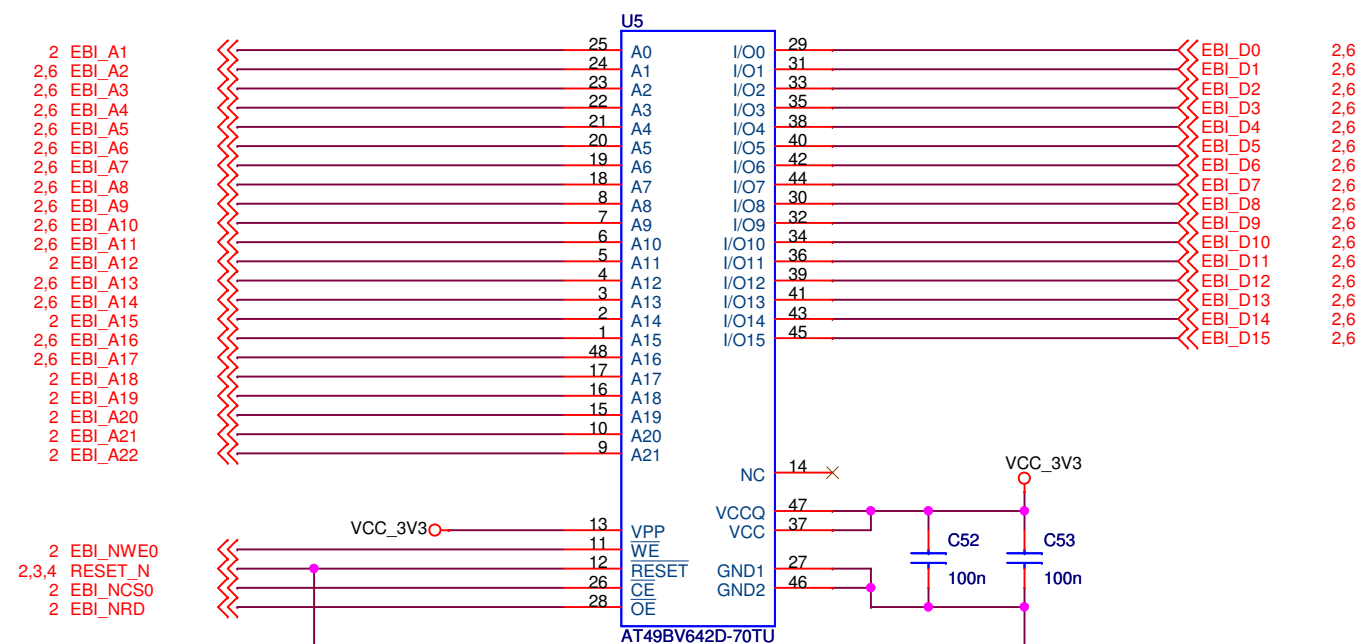


# ETHERNET PORT 1

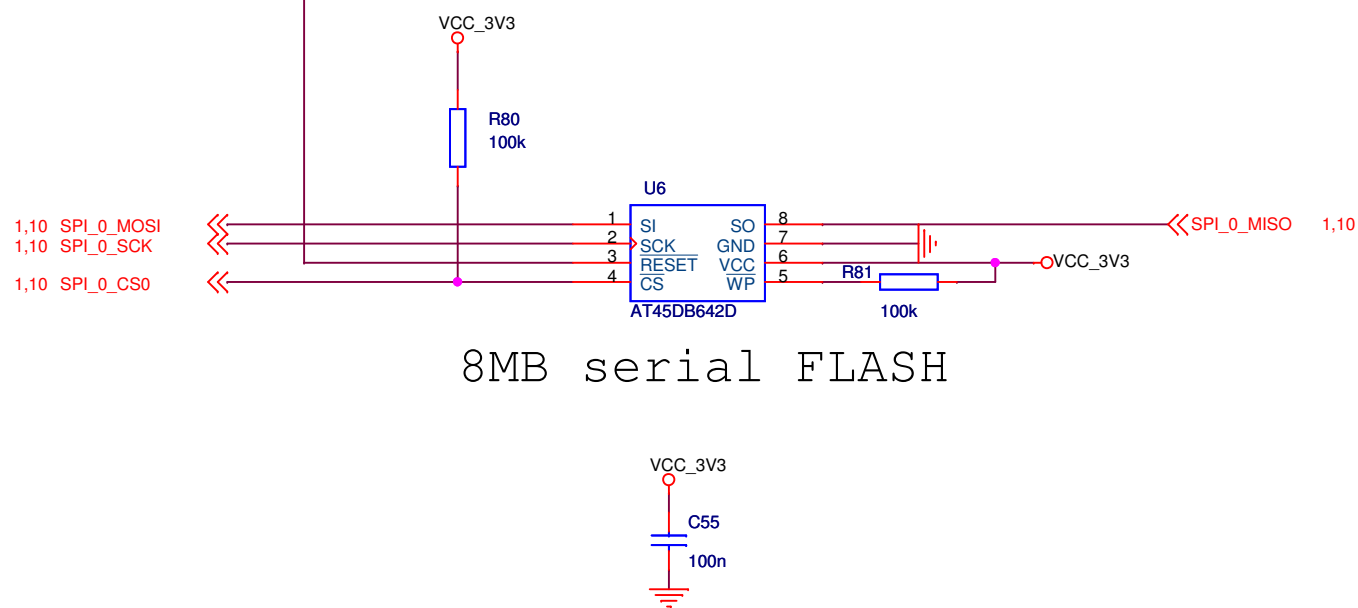


NOTE: The serial FLASH are possible to update with larger memories in the future within the same footprint.

## 8MB parallel FLASH



## 8MB serial FLASH



<Core Design>

ATMEL Norway AS  
Vestre Rosten 79  
N-7075 TILLER  
Norway



Title FLASH

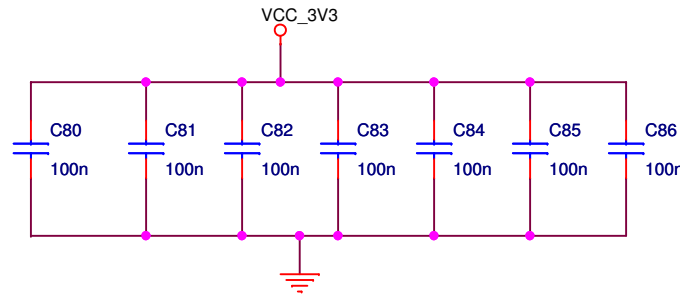
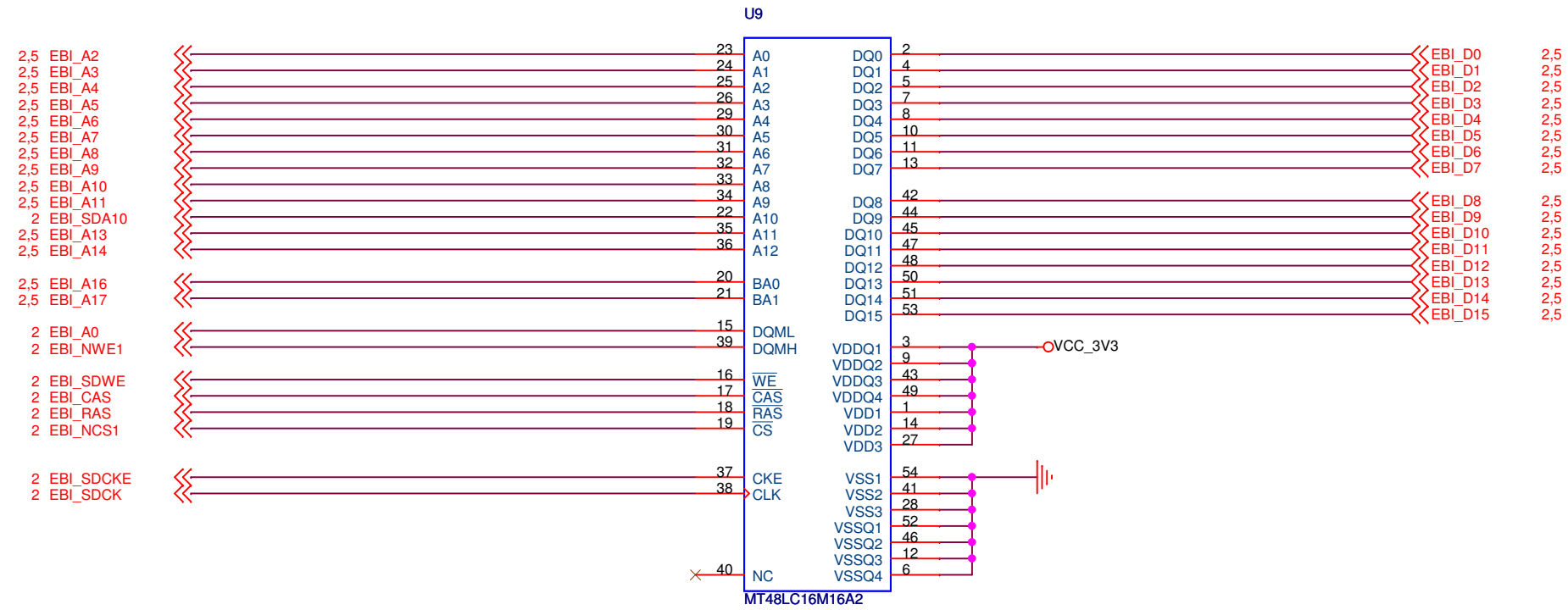
Size A3  
Document Number <Doc>

Rev PC1

Date: Tuesday, November 07, 2006 | Sheet 5 of 13

NOTE: The SDRAM are possible to update with larger memories in the future within the same footprint.

## 32MB



<Core Design>

ATMEL Norway AS  
Vestre Rosten 79  
N-7075 TILLER  
Norway



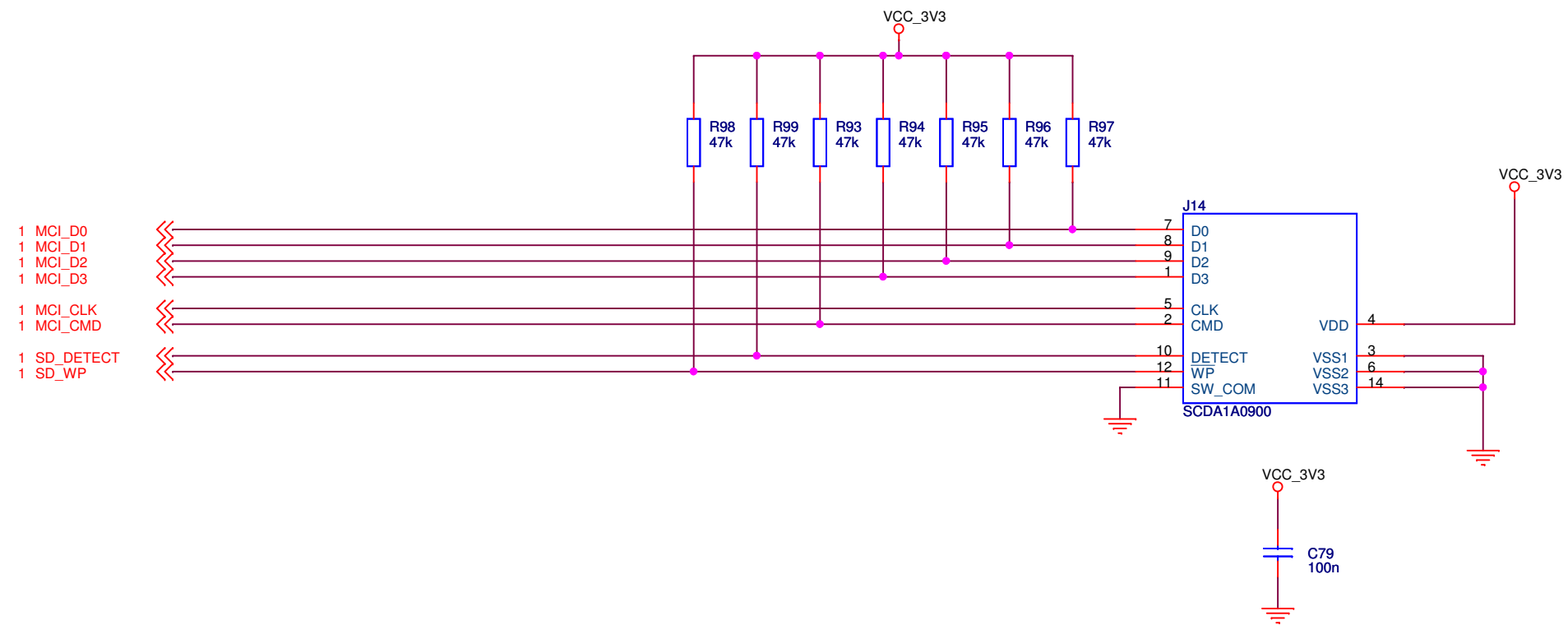
Title SDRAM

Size A3 Document Number <Doc>

Rev PC1

Date: Tuesday, November 07, 2006 | Sheet 6 of 13

# SD/MMC



<Core Design>

ATMEL Norway AS  
Vestre Rosten 79  
N-7075 TILLER  
Norway



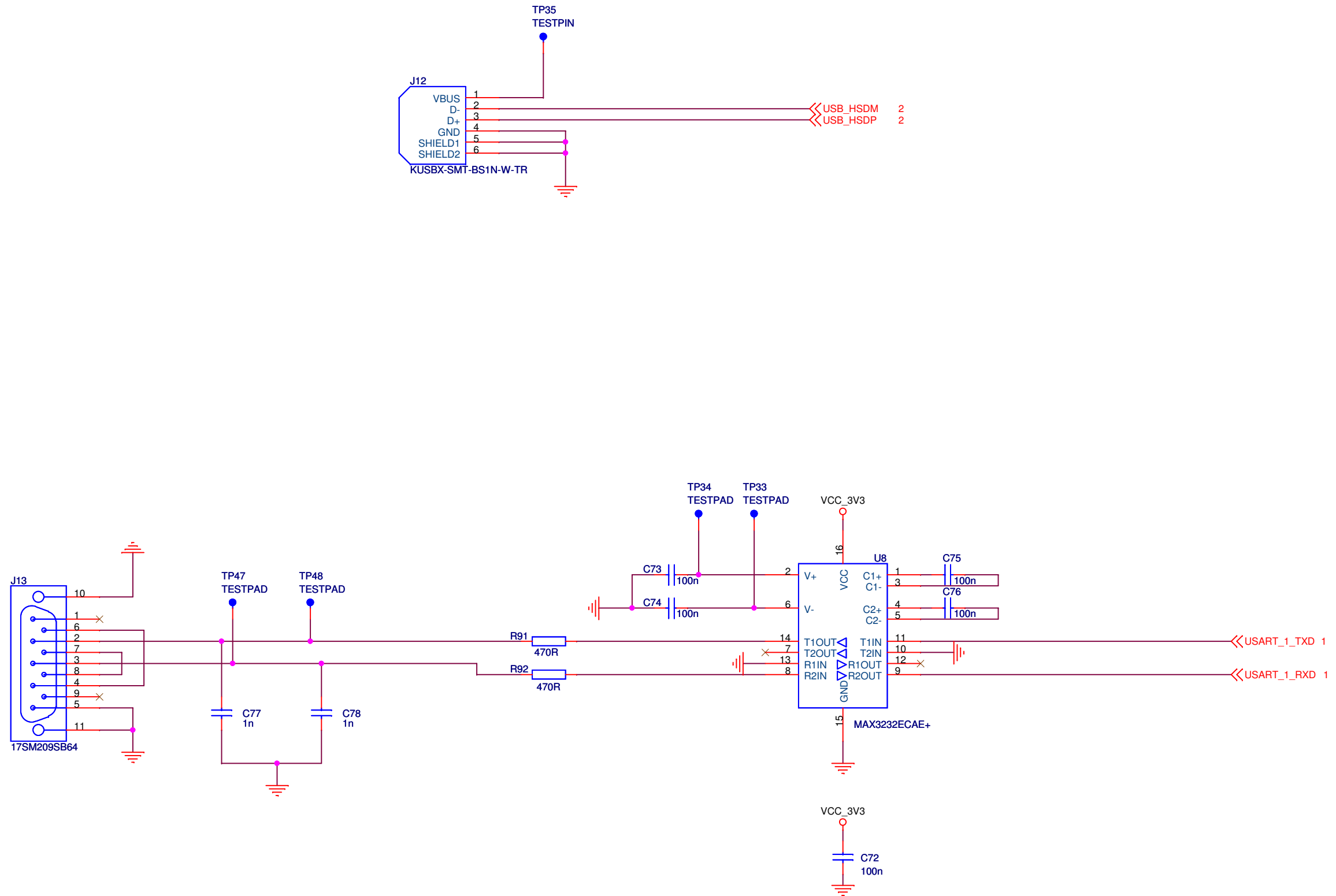
Title SD/MMC

Size A3  
Document Number <Doc>

Rev PC1

Date: Tuesday, November 07, 2006 | Sheet 7 of 13

# RS-232 / USB



<Core Design>

ATMEL Norway AS  
Vestre Rosten 79  
N-7075 TILLER  
Norway



Title RS-232/USB

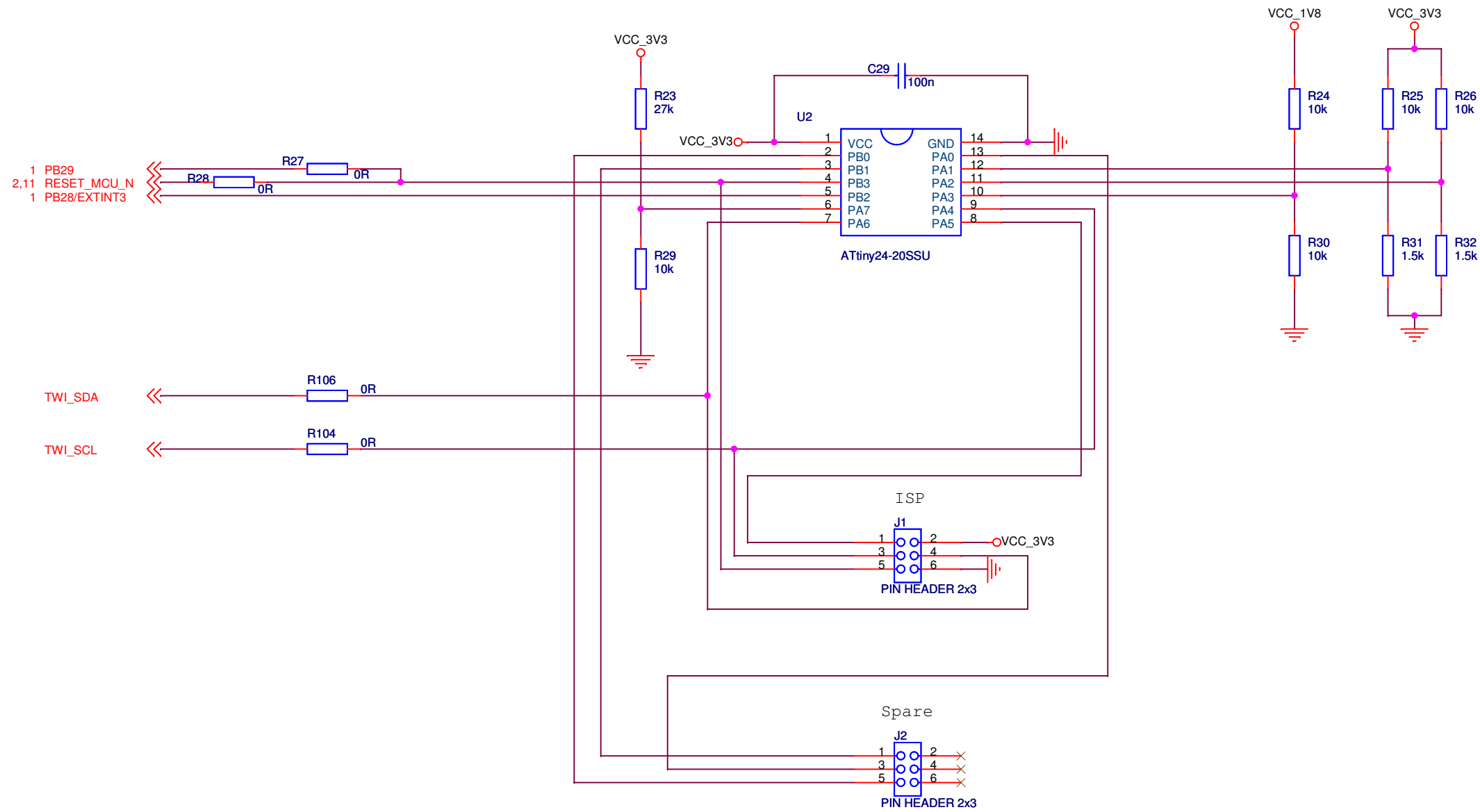
Size A3  
Document Number <Doc>

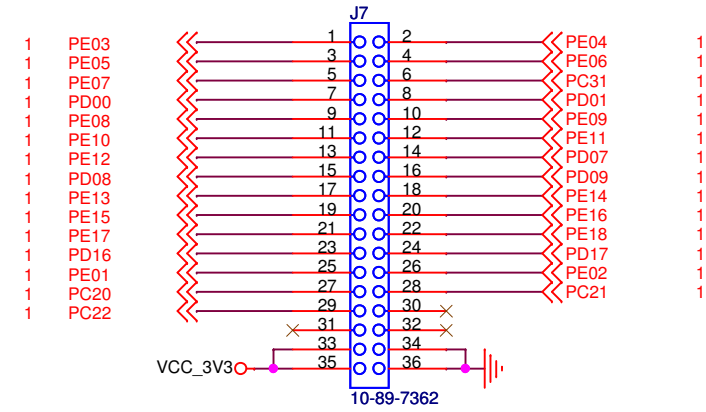
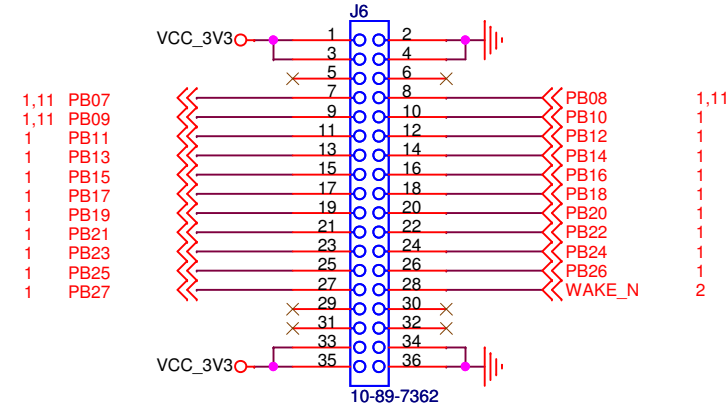
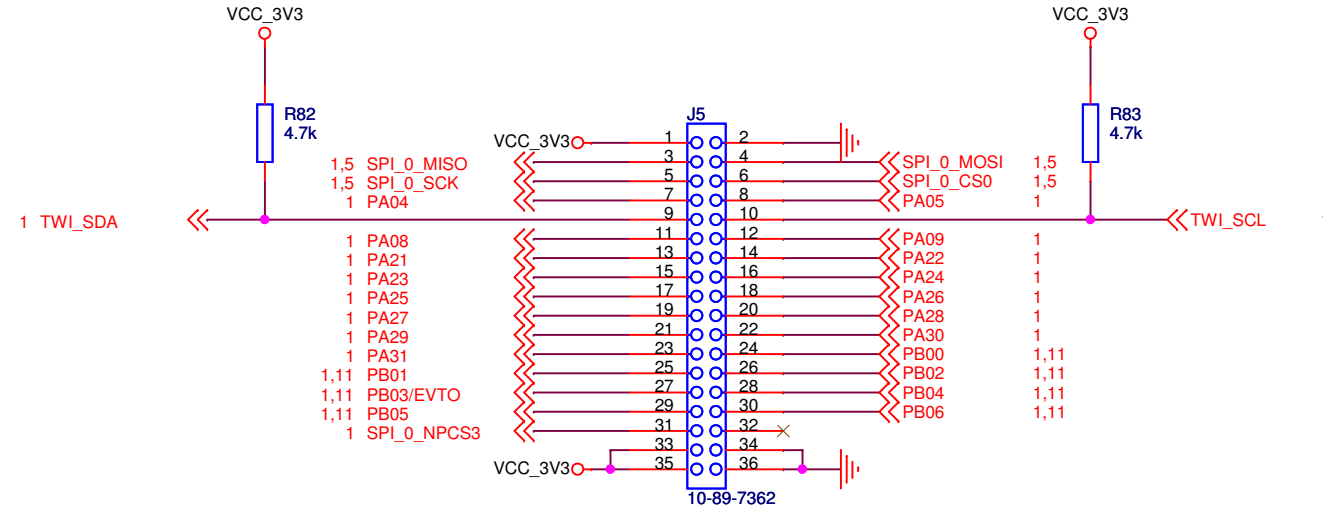
Rev PC1

Date: Tuesday, November 07, 2006 | Sheet 8 of 13



# BOARD CONTROL





<Core Design>

ATMEL Norway AS  
Vestre Rosten 79  
N-7075 TILLER  
Norway



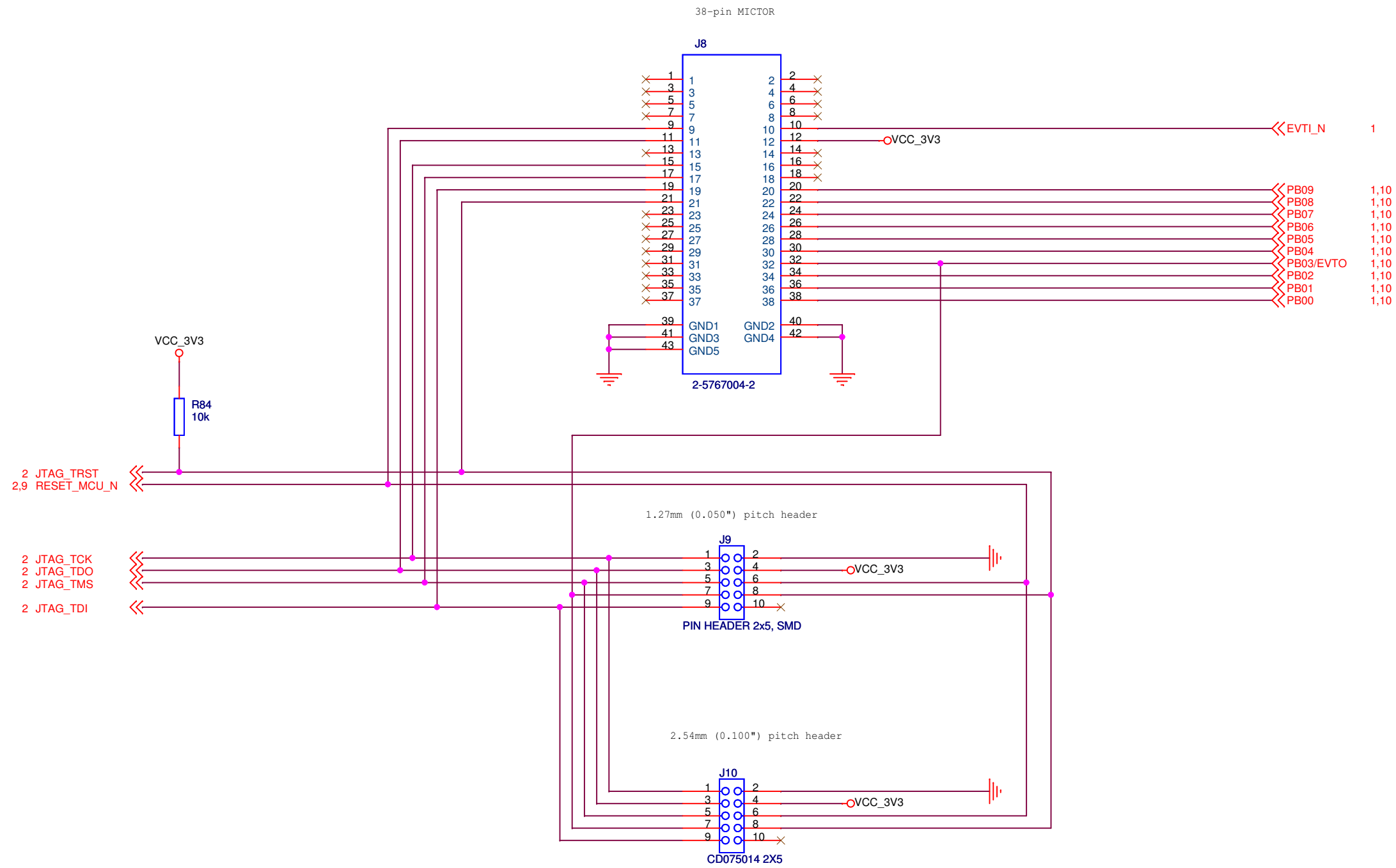
Title GPIO

Size A3  
Document Number <Doc>

Rev PC1

Date: Tuesday, November 07, 2006 | Sheet 10 of 13

# JTAG\_NEXUS



<Core Design>

ATMEL Norway AS  
Vestre Rosten 79  
N-7075 TILLER  
Norway



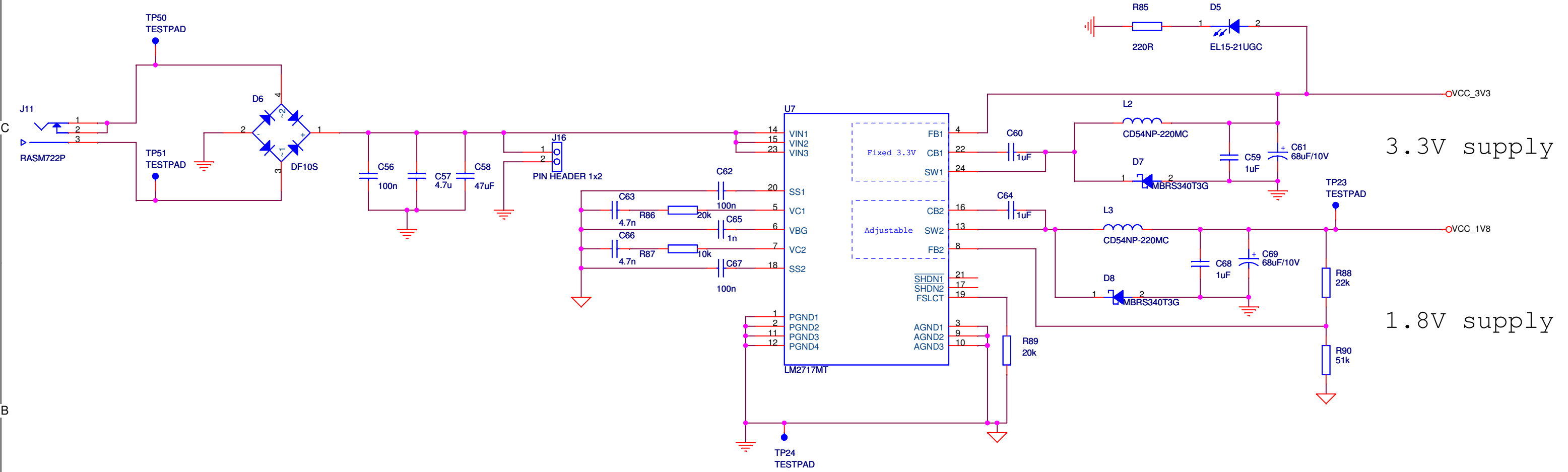
Title JTAG/NEXUS

Size A3  
Document Number <Doc>

Rev PC1

Date: Tuesday, November 07, 2006 | Sheet 11 of 13

Input voltage 9-15V



3.3V supply

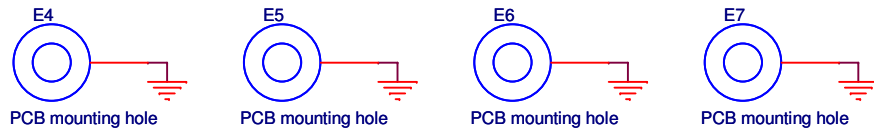
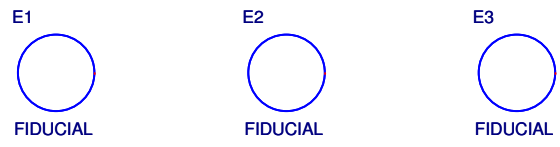
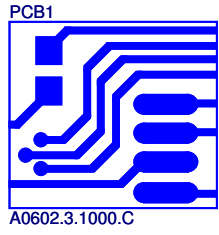
1.8V supply

<Core Design>

ATMEL Norway AS  
 Vestre Rosten 79  
 N-7075 TILLER  
 Norway



Title		Power
Size	Document Number	Rev
A3	<Doc>	PC1
Date:	Tuesday, November 07, 2006	Sheet 12 of 13



<Core Design>

ATMEL Norway AS  
Vestre Rosten 79  
N-7075 TILLER  
Norway



Title Non Electrical

Size A3 Document Number <Doc>

Rev PC1

Date: Tuesday, November 07, 2006 Sheet 13 of 13