

SPECIFICATIONS

PF DDRII Connector

Mechanical

Contact Retention Force: 0.66Lbs (0.30kgf) min. per Contact
Durability: 25 Cycles
Insertion Force: 15.88kgf max. (Module to connector)
Unmating Force: 14gf min. per Contact pair

AT940 Series

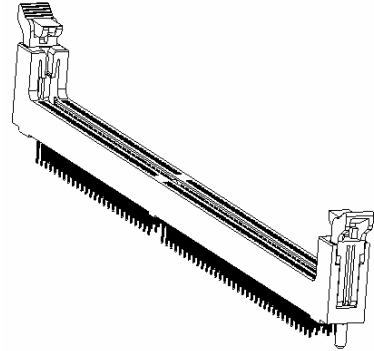
Vertical Press-Fit Type
1.00mm [.039"] Pitch
240 Pos.

Electrical

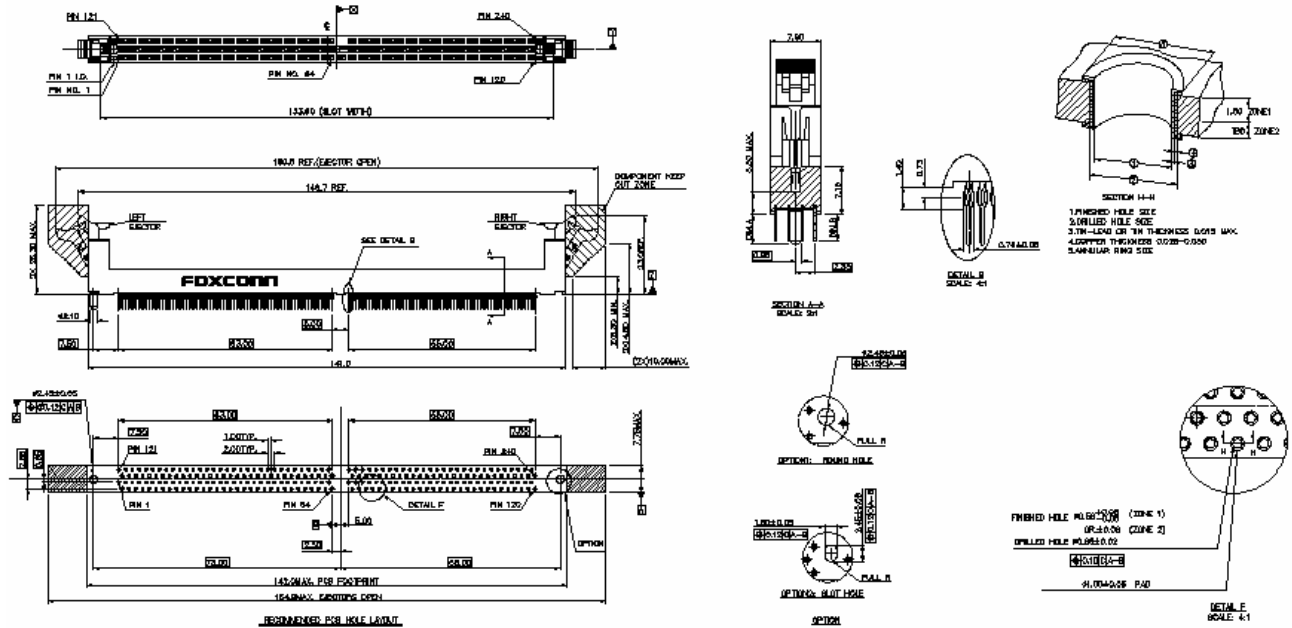
Current Rating: 0.5 AMPS max.
Insulation Resistance: 1000MW min. at 500V DC
Dielectric Withstanding Voltage: 500V AC at Sea Level
Low Level Contact Resistance: 30mW max. initial

Physical

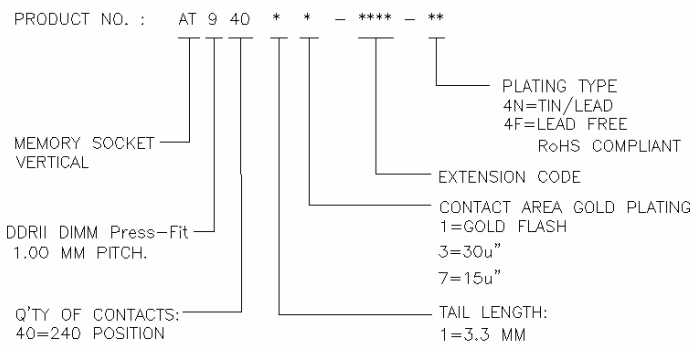
Housing: Thermoplastic, UL 94V-0 rated in Black Color
Contact: Copper alloy
Ejector: Thermoplastic, UL 94V-0 rated in Ivory or Natural Color
Metal Hold Down: Copper alloy
Operating Temperature: 0 to +85



DRAWING



ORDERING INFORMATION



PART NUMBER	VOLTAGE MARKING	DIM. A POST HEIGHT	DIM. B CONTACT TAIL	LATCH COLOR
AT940**-H2B1-**	1.8V	4.3	3.3	IVORY

All specification & dimensions are subject to change, please call your nearest Foxconn sales representative for update information.