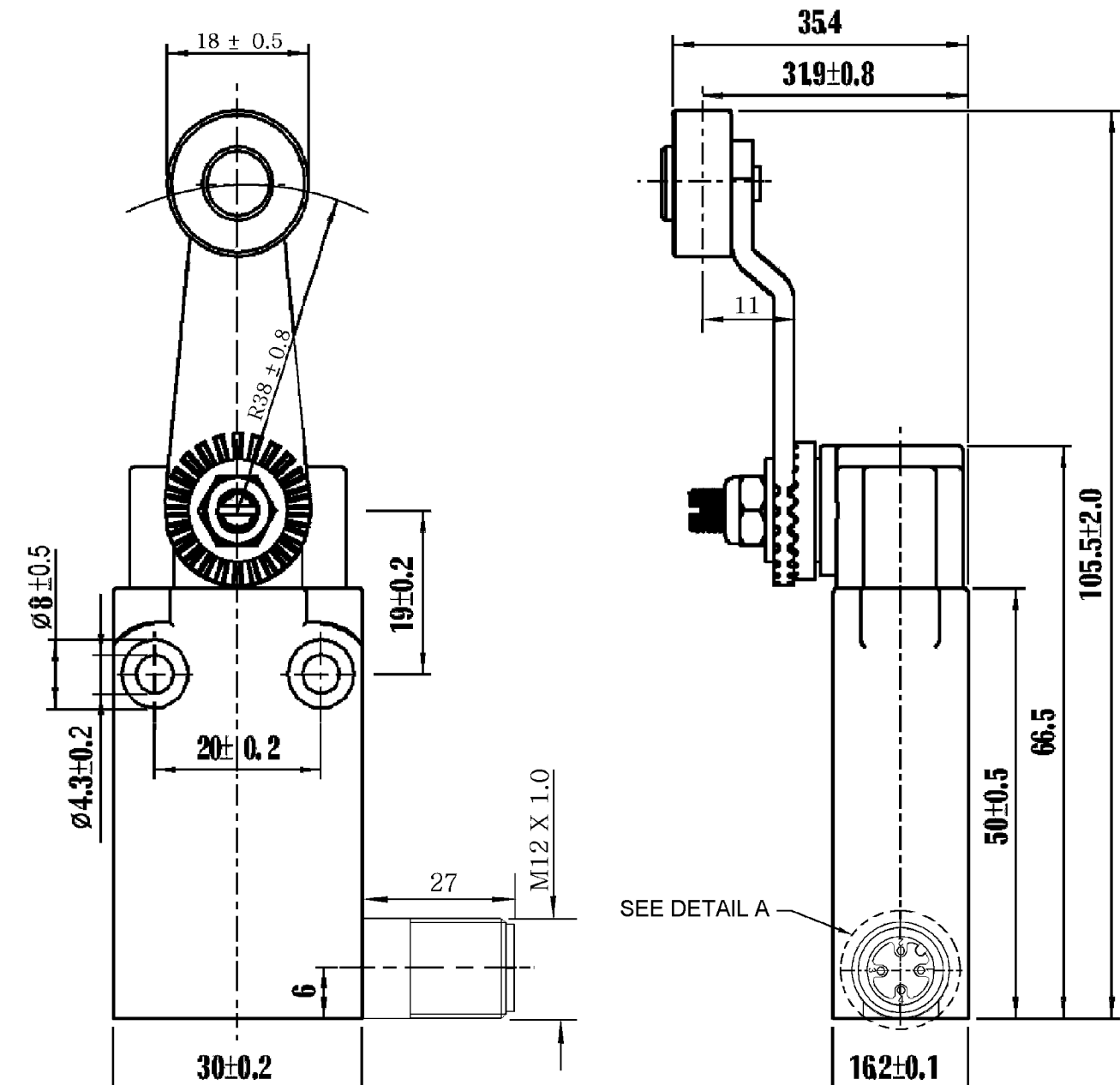
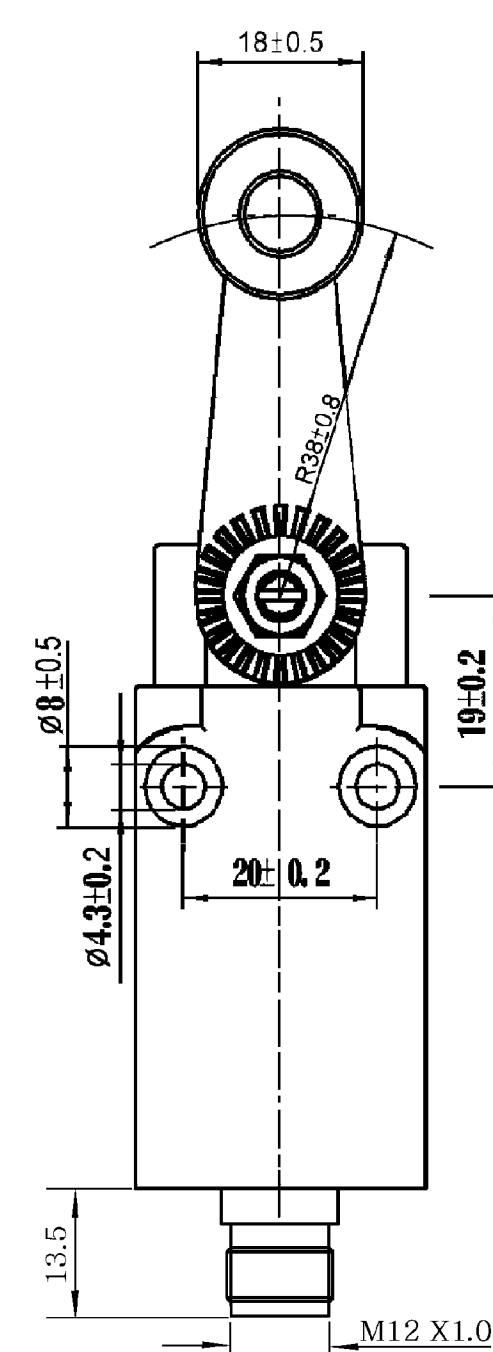


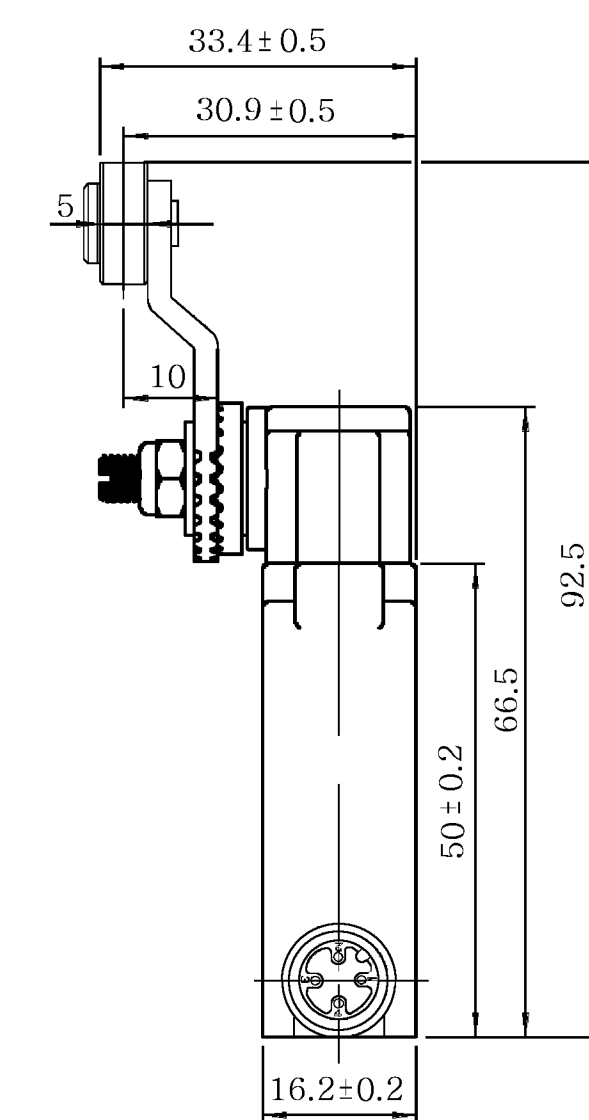
CABLE VERSION WITH PLASTIC ROLLER



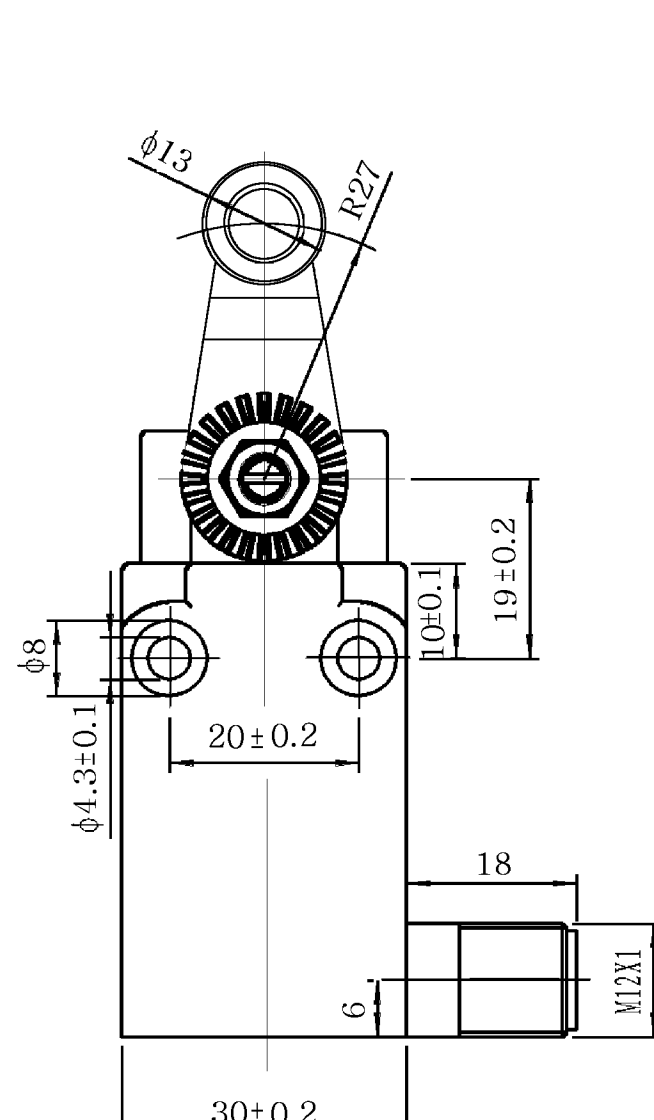
SIDE EXIT CONNECTOR WITH PLASTIC ROLLER



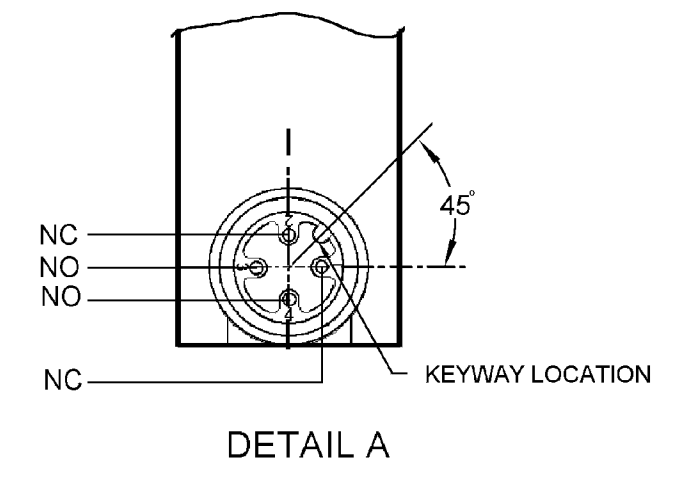
BOTTOM EXIT CONNECTOR WITH PLASTIC ROLLER



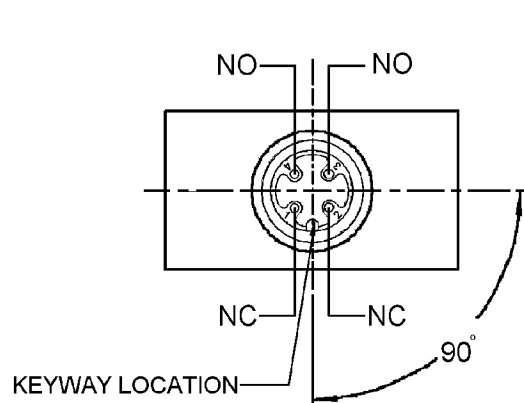
SHORT LEVER VERSION WITH METAL / PLASTIC ROLLER



STANDARD LEVER WITH METAL ROLLER

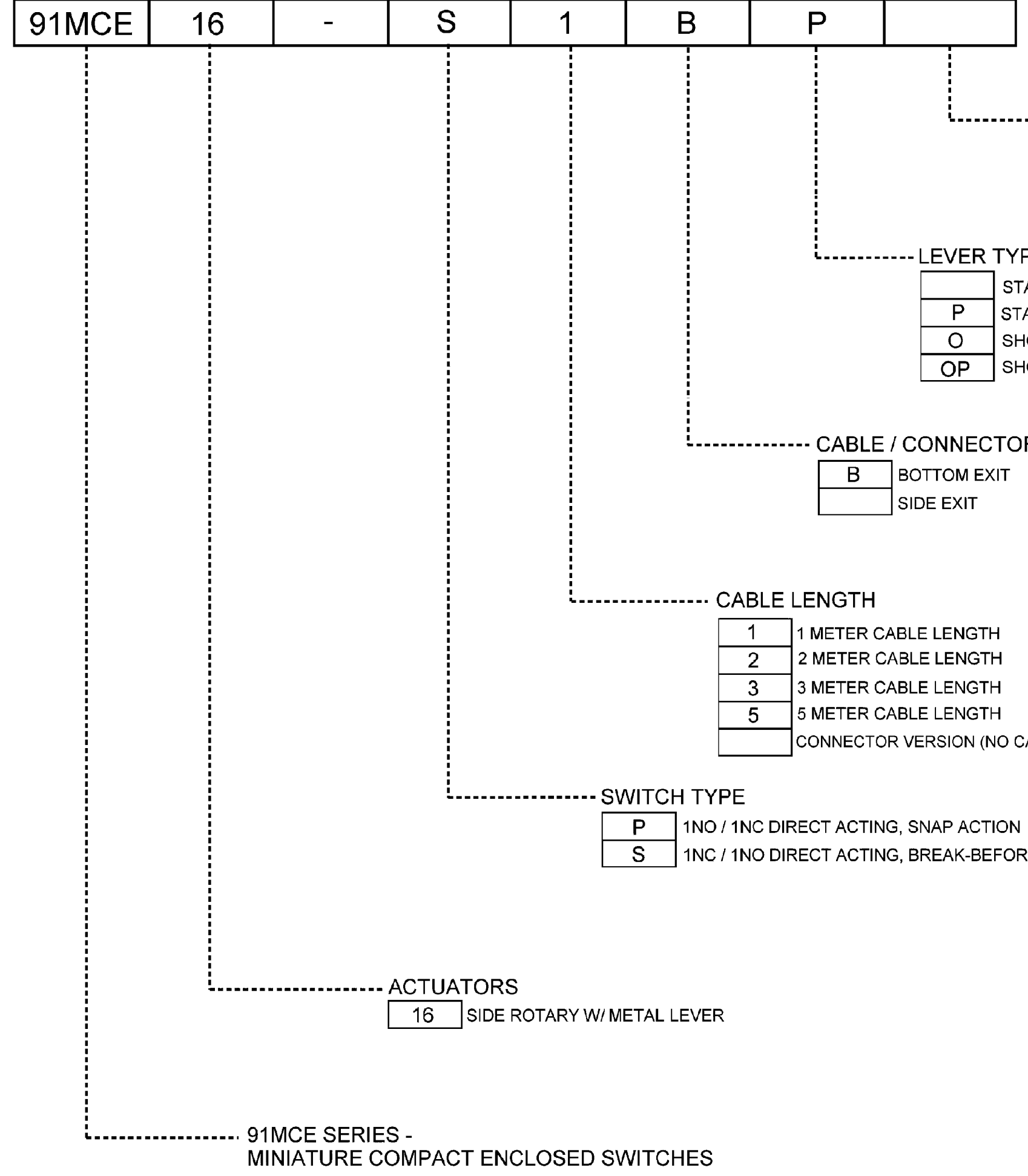


DETAIL A



KEYWAY LOCATION

### 91MCE16 NOMENCLATURE TREE



CONNECTOR TYPE  
CABLE (NO CONNECTOR)  
Q 4-PIN M12 CONNECTOR

LEVER TYPE  
STANDARD LEVER / METAL ROLLER  
P STANDARD LEVER / PLASTIC ROLLER  
O SHORT LEVER / METAL ROLLER  
OP SHORT LEVER / PLASTIC ROLLER

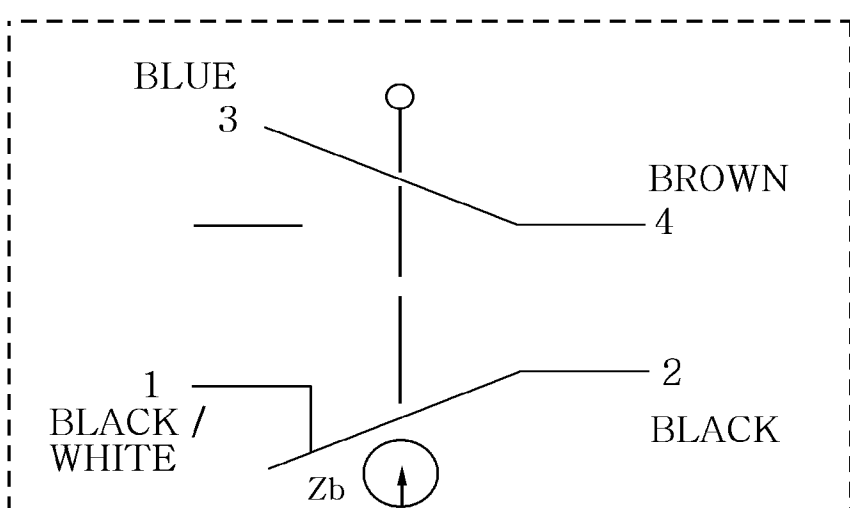
CABLE / CONNECTOR EXIT  
B BOTTOM EXIT  
SIDE EXIT

CABLE LENGTH  
1 1 METER CABLE LENGTH  
2 2 METER CABLE LENGTH  
3 3 METER CABLE LENGTH  
5 5 METER CABLE LENGTH  
CONNECTOR VERSION (NO CABLE)

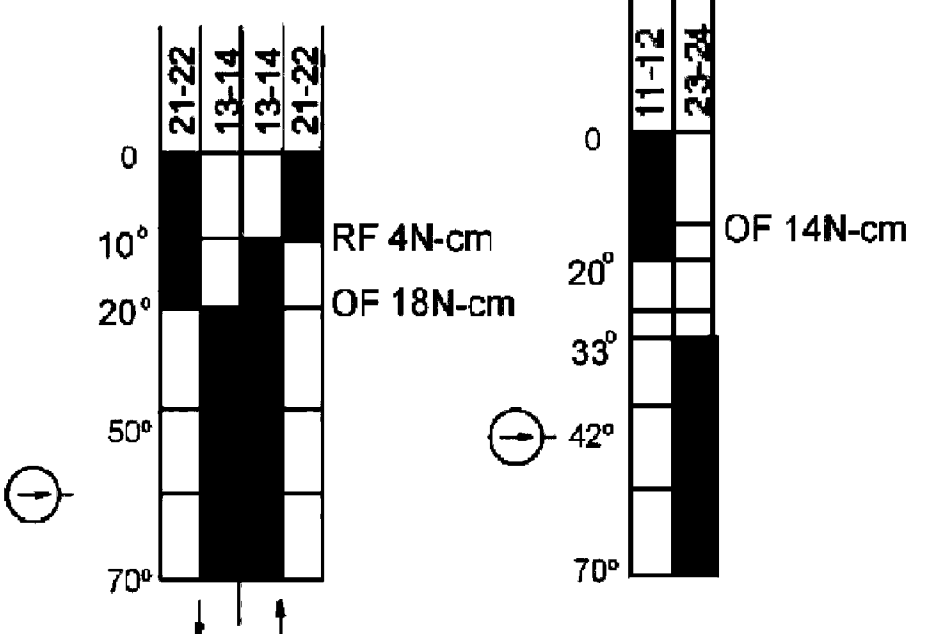
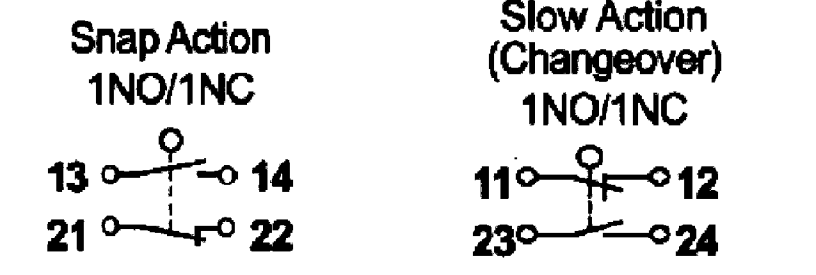
SWITCH TYPE  
P 1NO / 1NC DIRECT ACTING, SNAP ACTION  
S 1NC / 1NO DIRECT ACTING, BREAK-BEFORE-MAKE

ACTUATORS  
16 SIDE ROTARY W/ METAL LEVER

91MCE SERIES - MINIATURE COMPACT ENCLOSED SWITCHES



#### OPERATING CHARACTERISTICS



YELLOW/GREEN = GROUND

#### SPECIFICATIONS

OPERATING SPEED	0.05mm-1m/sec
OPERATING FREQUENCY	MECHANICAL: 120ops/min ELECTRICAL: 30ops/min
INSULATION RESISTANCE	>100MΩ @ 500V DC
CONTACT RESISTANCE	<25mΩ
RATED VOLTAGE	300V AC (EN60947-5-1)
RATED THERMAL CURRENT	PRE-LEADED 10A - 3A CONNECTOR
ELECTRICAL RATING	AC15 A300 DC13 Q300
DIELECTRIC STRENGTH	1000VAC FOR 1 MIN BETWEEN CURRENT CARRYING PARTS 2500VAC FOR 1 MIN BETWEEN NON-CURRENT CARRYING PARTS
SERVICE LIFE	MECHANICALLY 5 X 10 <sup>7</sup> (OPERATIONS)
OPERATING TEMPERATURE	-25~ + 85° C WITHOUT FORMATION OF ICE
HUMIDITY	<95%RH
CABLE	5 CORE, 0.75mm <sup>2</sup> (18AWG)
DEGREE OF PROTECTION	IP67

"Q" OPTION  
PIN 1 & 2 - NORMALLY CLOSED  
PIN 3 & 4 - NORMALLY OPEN

#### ELECTRICAL RATINGS

DESIGNATION & UTILIZATION CATEGORY	RATED OPERATIONAL CURRENT I <sub>e</sub> (A) AT RATED OPERATIONAL VOLTAGE U <sub>e</sub>		VA RATING	
	120V	240V	Make	Break
AC15 A300	6	3	7200	720
DC13 Q300	0.55	0.27	69	69

UNLESS OTHERWISE SPECIFIED  
TOLERANCES ARE +/- 0.15

APPROVALS  
UL US CE

#### NOTES:

1. DIE CAST HOUSING FINISHED IN BLACK PAINT

DESIGN UNITS: MM TOLERANCES UNLESS NOTED: NO PLACE .x ± 0.040 ONE PLACE .xx ± 0.030 TWO PLACE .xxx ± 0.015 THREE PLACE .xxxx ± 0.005 FOUR PLACE .xxxxx ± 0.0005 ANGLES ± 0.2	DRAWN BS 02APR07 CHECK PSR 02APR07		
THIRD ANGLE PROJECTION	INTERPRET PER ASME Y14.5M-1994 OTHER HONEYWELL ENGINEERING STANDARDS MAY APPLY	TITLE <b>COMPACT PRECISION LIMIT SWITCH</b>	
RASTER	SCALE NTS	DRAWING NAME 91MCE16 SERIES CHART 1	REV C