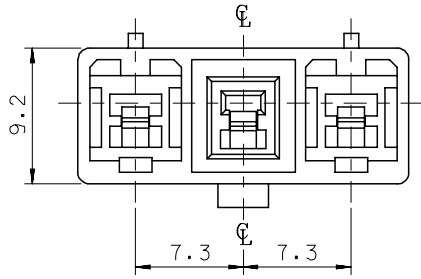
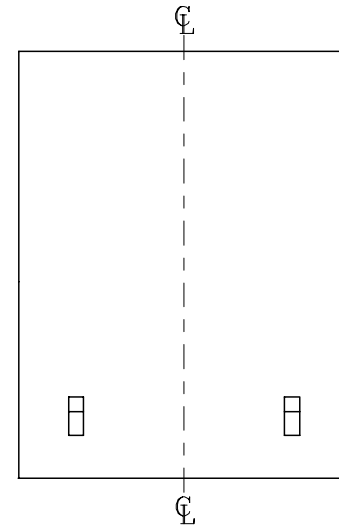
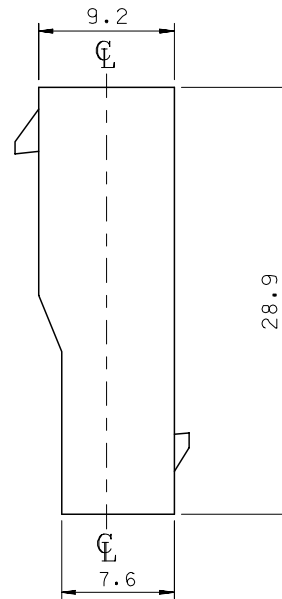
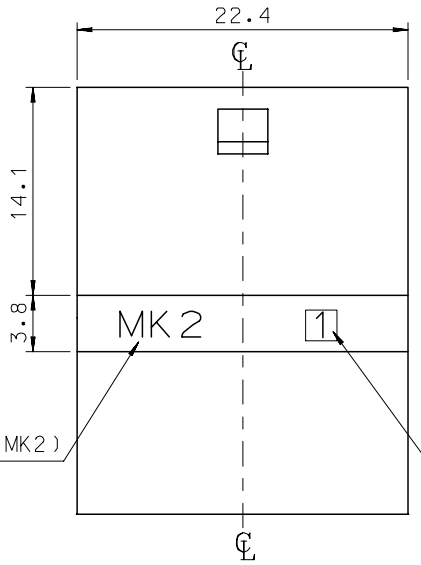
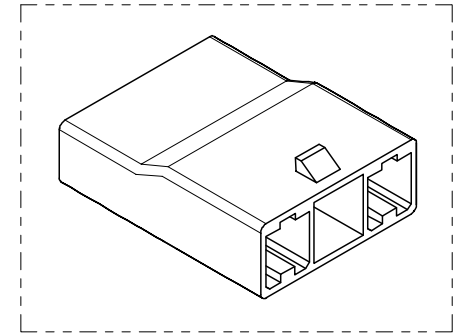


10 9 8 7 6 5 4 3 2 1

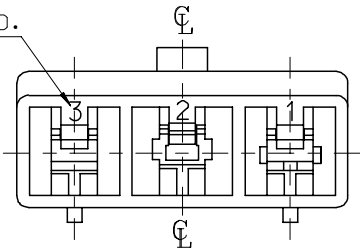


- NOTES
1. MATERIAL & COLOR : SEE TABLE
  2. MATCHED HOUSING : 35151-031\*  
35150-069\* (T.P.A)
  3. APPLICABLE TERMINAL : 35745-0\*10 (1 CIRCUIT)  
35746-0\*10 (2 CIRCUIT)  
35747-0\*10 (3 CIRCUIT)



LOGO(MK2) CAVITY NO. (1,2,3,...)

CIRCUIT NO.



| NO | PRODUCT    |             | MATERIAL |             |
|----|------------|-------------|----------|-------------|
|    | PART NO    | MATERIAL NO | COLOR    | DESCRIPTION |
| 1  | 35150-0300 | 351500300   | NATURAL  | PBT         |
| 2  | 35150-0304 | 351500304   | BLUE     | (UL94V-0)   |
| 3  | 35150-0309 | 351500309   | NATURAL  | PBT/PC      |
| 4  | 35150-3309 | 351503309   | YELLOW   | (UL94V-0)   |

REVISED  
EC NO: KOR2008-0078  
DRWN: JHPARK01 2007/09/10  
CHKD: WY. YANG 2007/09/10  
APPR: YUNSIKKIM 2007/09/10

QUALITY SYMBOLS  
▽=0  
▽=0

GENERAL TOLERANCES (UNLESS SPECIFIED)

|               | mm    | INCH  |
|---------------|-------|-------|
| 4 PLACES      | ± --- | ± --- |
| 3 PLACES      | ± --- | ± --- |
| 2 PLACES      | ± --- | ± --- |
| 1 PLACE       | ± 0.3 | ± --- |
| ANGULAR ± 1 ° |       |       |

DRAFT WHERE APPLICABLE MUST REMAIN WITHIN DIMENSIONS

DIMENSION STYLE  
MM ONLY

| DRAWN BY    | DATE       |
|-------------|------------|
| JS. KANG    | 1995/12/11 |
| CHECKED BY  | DATE       |
| BK. CHOI    | 1995/12/11 |
| APPROVED BY | DATE       |
| CW. LEE     | 1995/12/11 |

MATERIAL NO. SEE TABLE

SCALE 3:1  
DESIGN UNITS METRIC  
THIRD ANGLE PROJECTION

7.3 PITCH W/W CONN  
MALE HSG-3P(W/O EAR)

MOLEX INCORPORATED

DOCUMENT NO. SD-35150-030\*  
SHEET NO. 1 OF 01

9 8 7 6 5 4 3 2 1