

SP5T SWITCH

MODEL 310-021005-001

Available as: 2.74" x 0.90" x 0.40" Field Removable
SMA Connectorized Housing

Features

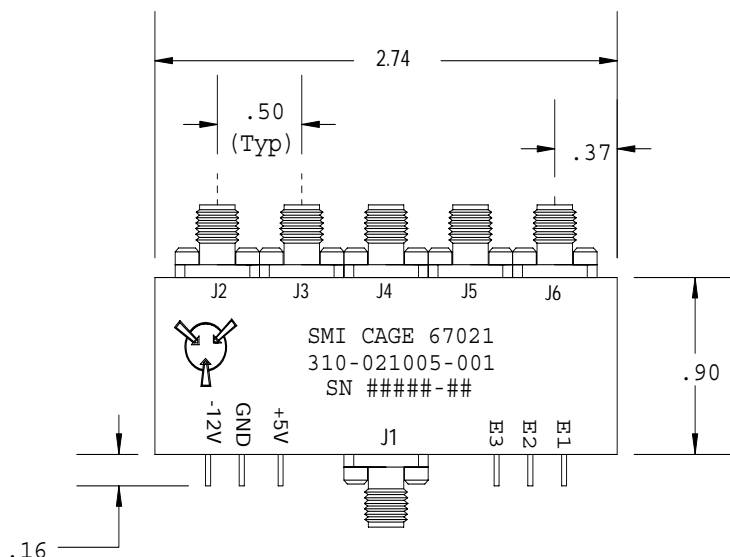
- Reflective Channelized SP5T Switch
- Wide Bandwidth: 10 MHz to 22 GHz
- Fast Switching Speed: 100 ns Typical
- Integrated TTL Driver
- Operating Temp.: -55 °C to +85 °C
- Environmental Screening Available

Maximum Ratings

Ambient Operating Temperature -55°C to +100 °C
Storage Temperature -65°C to +125 °C
Operating Case Temperature +125 °C
DC Voltage + 6.0 / -15 Volts
Continuous RF Input Power +30 dBm

Specifications

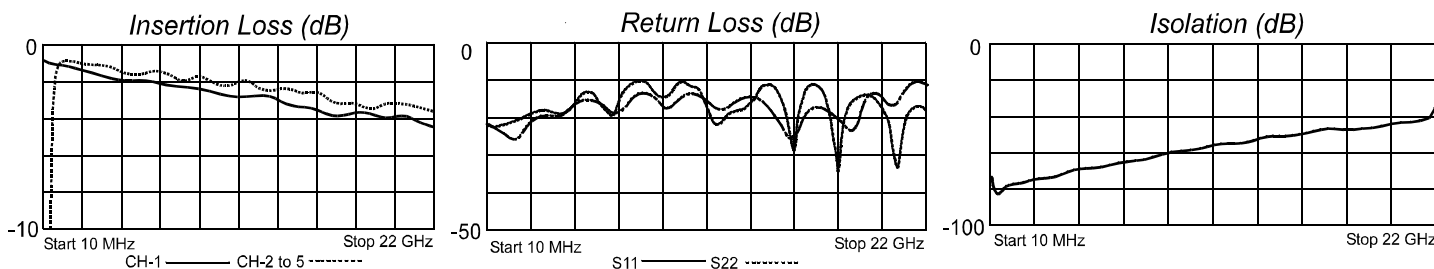
CHARACTERISTIC	TYPICAL	MIN/MAX
	Ta = 25 °C	Ta = -55 °C to +85 °C
Frequency Range	10 MHz - 22 GHz	10 MHz - 22 GHz
Insertion Loss (dB)		
0.010 - 2.0 GHz	1.3	1.65 Max.
2.0 - 18.0 GHz	3.0	3.5 Max.
18.0 - 22.0 GHz	3.2	3.6 Max.
Isolation (dB)		
0.010 - 2.0 GHz	70	65 Min.
2.0 - 18.0 GHz	45	40 Min.
18.0 - 22.0 GHz	40	35 Min.
VSWR	1.8:1	2.0:1 Max.
RF Leakage (dB)	75	-
Isolation RF to / from DC (dB)	-	60 Min.
Isolation RF to / from Control (dB)	-	60 Min.
Switching Speed (nSec) (50% TTL to 10/90% RF)	100	-
DC Bias (Vdc)	+5 / -12	+5 / -12
Bias (mA)	+150 / -50	+200 / -100
Input 1 dB Compression (dBm)	-	+27 Min.
Intercept Points (dBm)		
2nd Order IP (Input)	-	+40 Min.
3rd Order IP (Input)	-	+37 Min.



Truth Table

TTL Control Input			Switch Position
TTL1	TTL2	TTL3	RF1 to RF2
0	0	0	J1 to J2
0	0	1	J1 to J3
0	1	0	J1 to J4
0	1	1	J1 to J5
1	0	0	J1 to J6

Typical Performance Data



Spectrum Microwave · 2144 Franklin Drive N.E. · Palm Bay, FL 32905 · (888) 553-7531 · Fax (888) 553-7532

Rev.
4/22/10

www.SpectrumMicrowave.com Spectrum Microwave · 2707 Black Lake Place · Philadelphia, PA 19154 · (215) 464-4000 · Fax (215) 464-4001