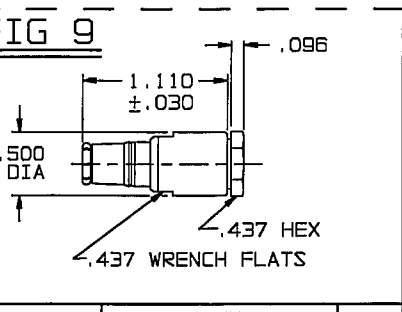
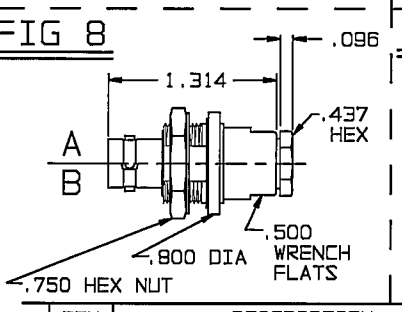
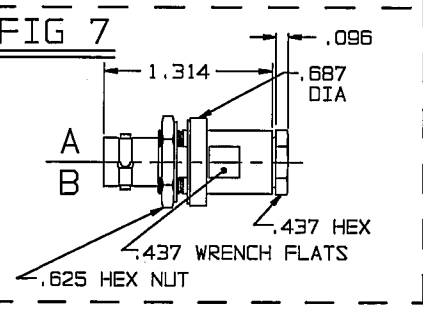
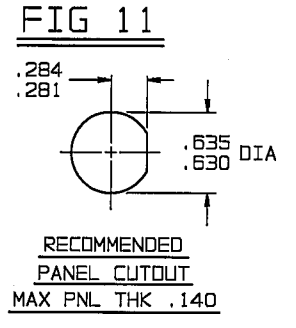
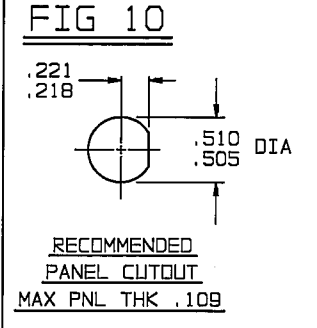
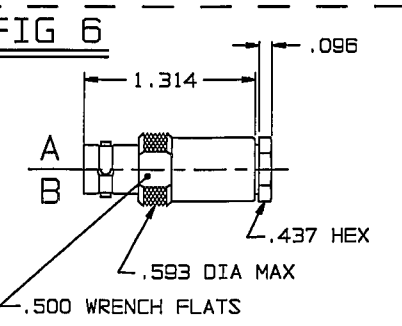
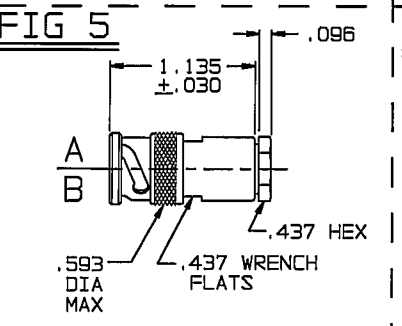
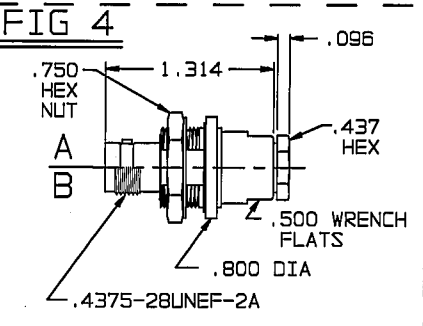
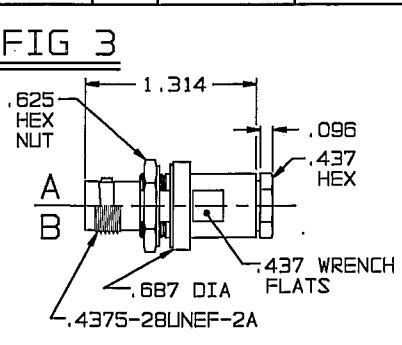
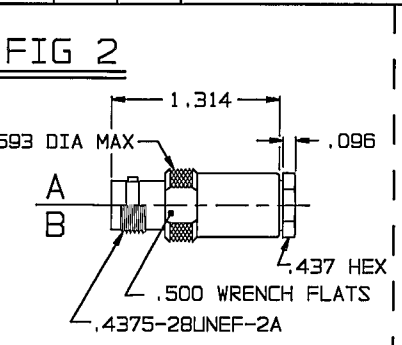
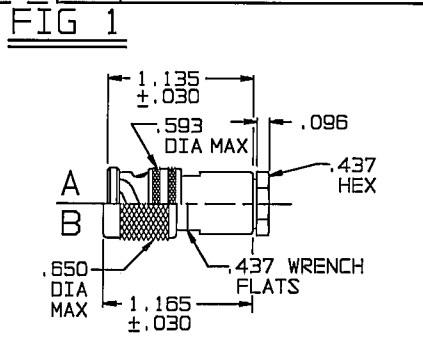


RED INDICATES ORIGINAL

	DWG SIZE B	DATA CONTAINED IN THIS DOCUMENT IS PROPRIETARY TO TROMPETER ELECTRONICS INC. AND SHALL NOT BE DISCLOSED, COPIED OR USED FOR PROCUREMENT OR MANUFACTURE WITHOUT EXPRESS WRITTEN PERMISSION.	REVISIONS	305-1114	SH
			REV EOD DESCRIPTION	DWN APPROVED	DATE
			A PRODUCTION RELEASE	DKC	

DASH NO	CONNECTOR TYPE	MATERIAL 4	ASSEMBLE PER	FIG	MTG HOLE FIG
-1	PL75	310-0002-33	TAI-102	1A	—
-2	CJ70	3-0043-33		2A	—
-3	BJ79	3-0018-33		3A	10
-4	BJ74	3-0055-33		4A	11
-5(S)	PL375(S)	315-0011-33		1B	—
-6(S)	CJ370(S)	3-0066-33		2B	—
-7(S)	BJ379(S)	3-0074-33		3B	10
-8(S)	BJ374(S)	3-0073-33		4B	11
-9	PL74	310-0025-33		5A	—
-10	CJ70TL	3-0217-33		6A	—
-11	BJ79TL	3-0112-33		7A	10
-12	BJ74TL	3-0105-33		8A	11
-13	PL75FL	310-0006-33		5B	—
-14	CJ70FL	3-0101-33		6B	—
-15	BJ79FL	3-0052-33		7B	10
-16	BJ74FL	3-0099-33		8B	11
-17	PL73	310-0038-33		9	—



- 4 REPLACE CLAMP NUT 8-1580-33 WITH CLAMPNUT 8-1580-30
3. CONCENTRIC TWINAX/TRIAX, 2-LUG, 3-LUG, 4-LUG AND THREADED CABLE PLUGS/RECEPTACLES, INSULATED & NONINSULATED BULKHEAD MOUNT RECEPTACLES & PUSH-ON CABLE PLUGS FOR RAYCHEM CABLE NO. 10600
2. FINISH TFS-1A (NICKEL)
1. ALL DIM ARE IN INCHES

5. EXAMPLE OF COMPLETE PART NO.

305-1114 -5 S

BASIC PART NO. OPTIONAL SAFETY WIRE HOLE (-5 THRU -8 ONLY)

DASH NO.

QTY	DESCRIPTION	PART NUMBER	ITEM
TOL UNLESS SPECIFIED		TROMPETER ELECTRONICS, INC.	
.XX ±	.XXX ± .005	"70" SERIES-10600	
.XXXX ±	ANGLES ±	MATERIAL	CODE IDENT
DWN DKC 12-3-96	CHK <i>lmm</i> 12-3-96	14949	305-1114
ENGR	APPR <i>EQ</i> 12/4/96	DRAWING NO.	REV
NEXT ASSY	SCALE —	DATE 12/5/96	A
		SHEET	