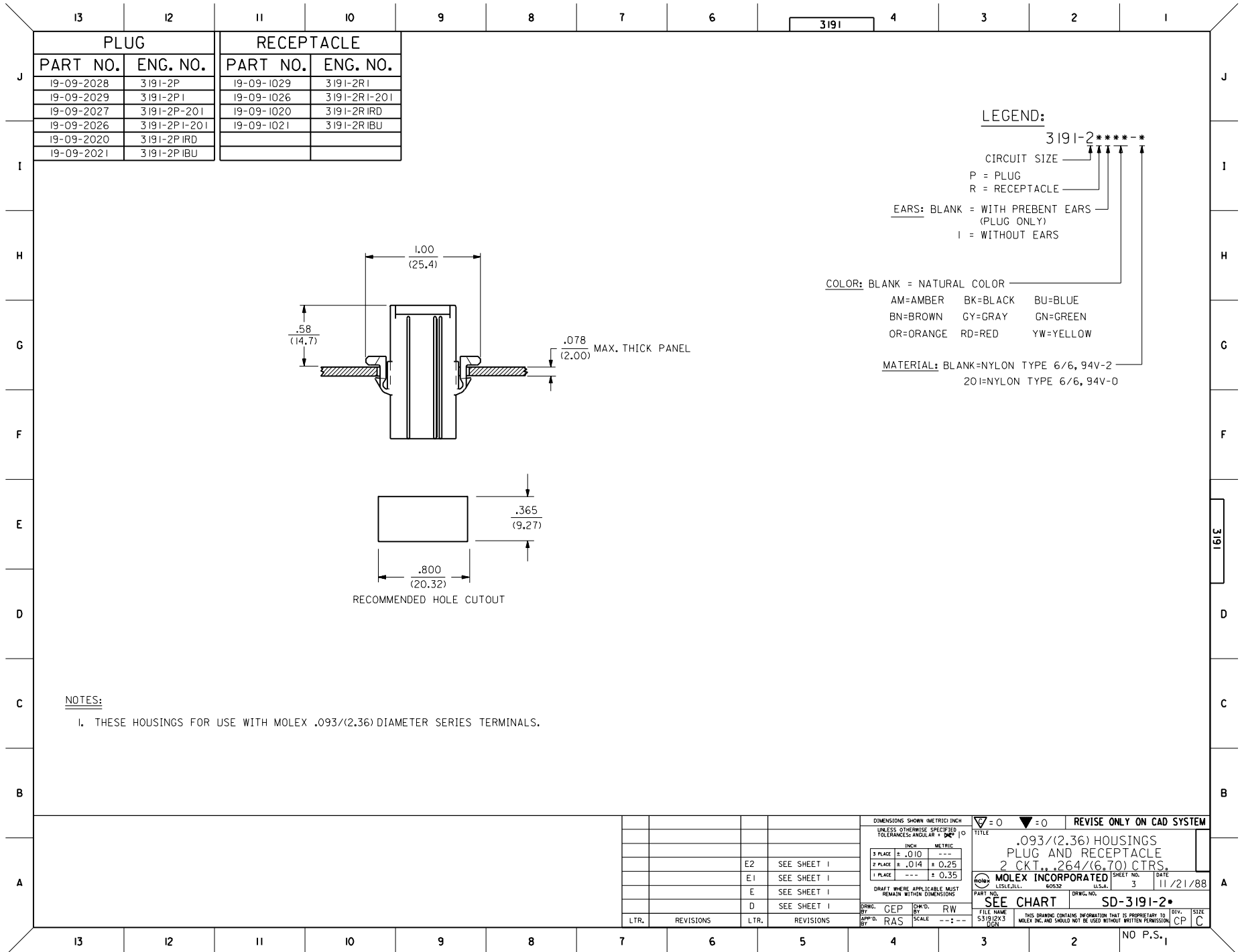


**RECEPTACLE**

DIMENSIONS SHOWN METRIC (INCH)		REVISIONS	
UNLESS OTHERWISE SPECIFIED TOLERANCES: ANGULAR ± .005° TO		D	
INCH METRIC		SEE SHT. 1	
3 PLACE ± .010	---	LTR.	REVISIONS
2 PLACE ± .014	± 0.25	LTR.	REVISIONS
1 PLACE ---	± 0.35	LTR.	REVISIONS
DRAFT WHERE APPLICABLE MUST REMAIN WITHIN DIMENSIONS		LTR.	
DRAWN: GEP		APP'D. RAS	
CHK'D. RW		SCALE 2 : 1	
FILE NAME S31912X2		DIV. CP	
TITLE .093/(2.36) HOUSING, PLUG AND RECEPTACLE, 2 CKT., .264/(6.70) CTRS.		NO P.S. 1	
MOLEX INCORPORATED LITTLE ROCK, ARK. U.S.A.		PART NO. SD-3191-2	
SHEET NO. 2		DATE 11/21/88	
DRAWING NO.		DIV. CP	



PLUG		RECEPTACLE	
PART NO.	ENG. NO.	PART NO.	ENG. NO.
19-09-2028	3191-2P	19-09-1029	3191-2R1
19-09-2029	3191-2P1	19-09-1026	3191-2R1-201
19-09-2027	3191-2P-201	19-09-1020	3191-2R IRD
19-09-2026	3191-2P1-201	19-09-1021	3191-2R IBU
19-09-2020	3191-2P IRD		
19-09-2021	3191-2P IBU		

**LEGEND:**

3191-2\*\*\*\*-\*

CIRCUIT SIZE

P = PLUG

R = RECEPTACLE

EARS: BLANK = WITH PREBENT EARS (PLUG ONLY)

I = WITHOUT EARS

COLOR: BLANK = NATURAL COLOR

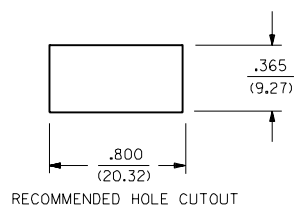
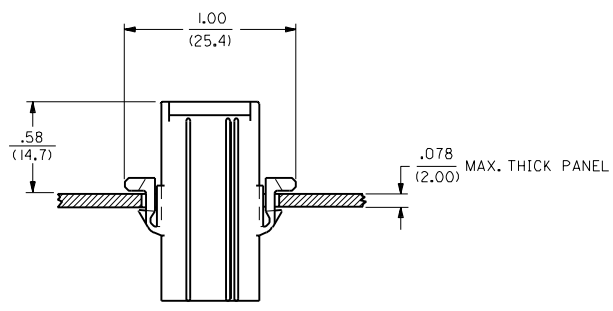
AM=AMBER BK=BLACK BU=BLUE

BN=BROWN GY=GRAY GN=GREEN

OR=ORANGE RD=RED YW=YELLOW

MATERIAL: BLANK=NYLON TYPE 6/6, 94V-2

20I=NYLON TYPE 6/6, 94V-0



**NOTES:**

1. THESE HOUSINGS FOR USE WITH MOLEX .093/(2.36) DIAMETER SERIES TERMINALS.

DIMENSIONS SHOWN (METRIC) INCH		▽=0 ▼=0		REVISE ONLY ON CAD SYSTEM	
UNLESS OTHERWISE SPECIFIED TOLERANCES: ANGLES .01° DIM		TITLE		.093/(2.36) HOUSINGS PLUG AND RECEPTACLE 2 CKT., .264/(6.70) CTRS.	
INCH METRIC		MOLEX INCORPORATED		SHEET NO. 3 DATE 11/21/88	
3 PLACE ± .010 ---		LITTLE, JILL. 60532 U.S.A.		PART NO. SD-3191-2*	
2 PLACE ± .014 ± 0.25		SEE CHART		DRAWING NO.	
1 PLACE --- ± 0.35		FILE NAME: 531912X3.DGN		DYN. SIZE CP C	
DRAFT WHERE APPLICABLE MUST REMAIN WITHIN DIMENSIONS		SCALE: --:--		THIS DRAWING CONTAINS INFORMATION THAT IS PROPRIETARY TO MOLEX INC. AND SHOULD NOT BE USED WITHOUT WRITTEN PERMISSION.	
DRWG. BY: CEP	CHK'D. BY: RW	APP'D. BY: RAS		NO P.S. 1	
LTR. REVISIONS	LTR. REVISIONS				