

FEATURES AND SPECIFICATIONS

Features and Benefits

- Zero insertion force contacts improve socket and module contact life and provide for fast on-line assembly
- Guaranteed 2 points of contact per readout with standard JEDEC module
- Anti-overstress latch feature provides extra protection during module removal
- Polarization posts provide orientation for proper loading of socket into printed circuit board
- Polarization rib properly orients module to socket
- EIA standard dimensions

Reference Information

Product Specification: PS-78968

Packaging: Tray

UL File No.: E29179

CSA File No.: LR19980

Mates With: JEDEC modules

Designed In: Inches

Electrical

Voltage: 250V

Current: 1.0A

Contact Resistance: 30mΩ max.

Dielectric Withstanding Voltage: 1000V AC

Insulation Resistance: 5000 MΩ min.

Mechanical

Normal Force: 1.47N average

Durability: 25 cycles

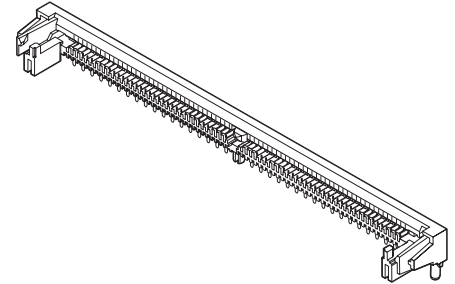
Physical

Housing: Black LCP, UL 94V-0

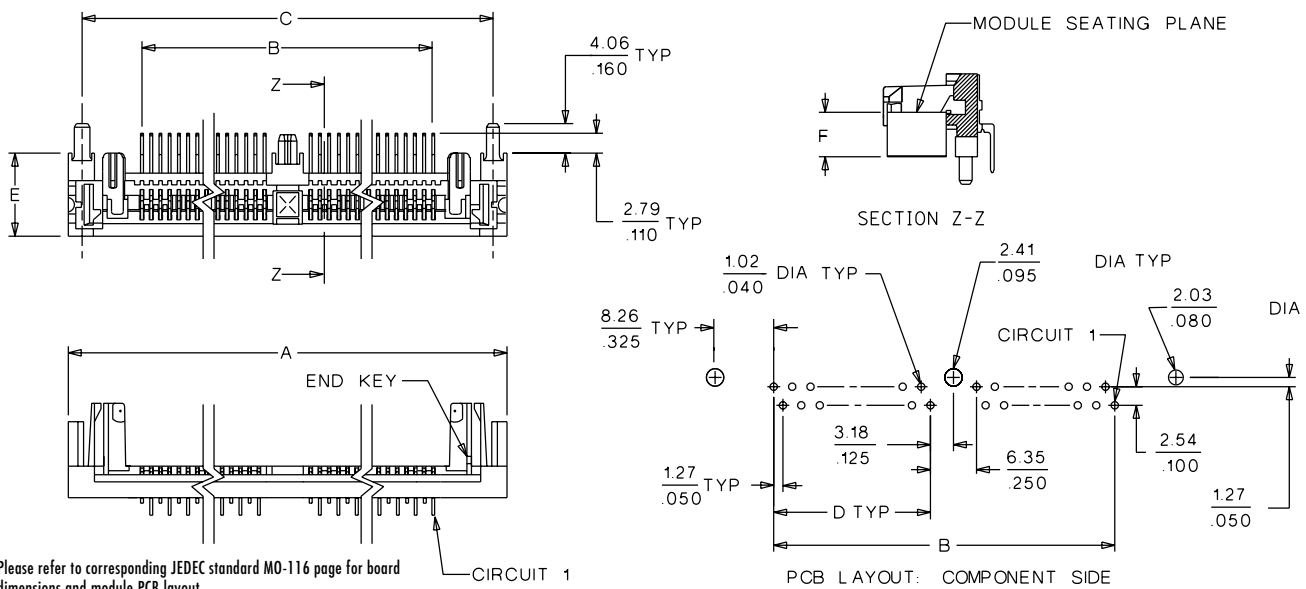
Contact: Phosphor Bronze Alloy

Plating: See Table

Operating Temperature: -40 to +85°C


**1.27mm (.050") Pitch
SIMM Socket**
78968
**Right Polarization
Right Angle, Single Row
Plastic Latch**


CATALOG DRAWING (FOR REFERENCE ONLY)



ORDERING INFORMATION AND DIMENSIONS

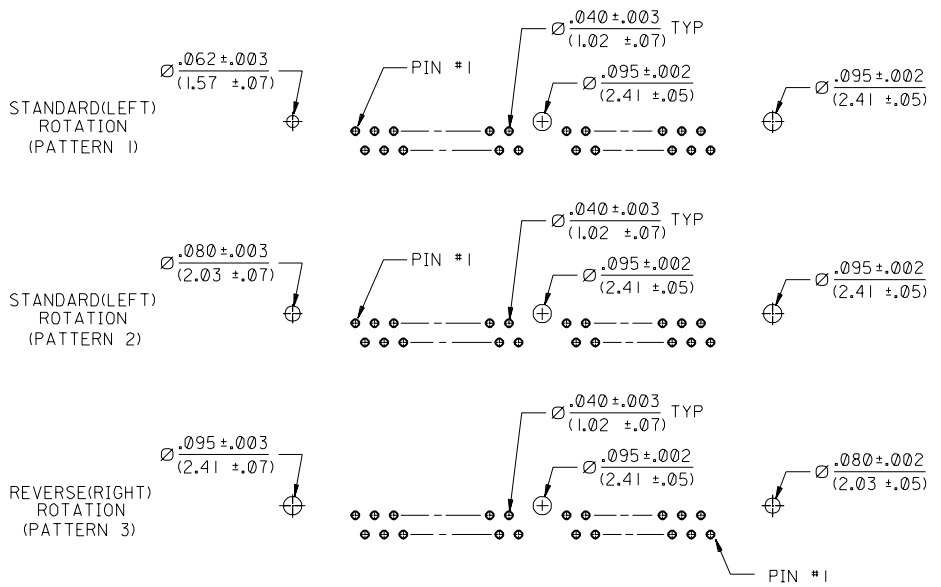
Circuits	Order No.			Dimension			
	.250		.290	A	B	C	D
	F = 6.35mm (.250") E = 11.38mm (.448")		F = 7.37mm (.290") E = 12.40mm (.488")				
64	Tin	Gold	Tin	105.41 (4.150)	85.09 (3.350)	101.60 (4.000)	39.37 (1.550)
72	15-82-1519	15-82-0314	15-82-0320	115.57 (4.550)	95.25 (3.750)	111.76 (4.400)	44.45 (1.750)

Plating: Post plate 200μ" min. Tin/Lead over 50μ" min. Nickel overall or post plate 30μ" min. Gold on contact area and 150μ" min. Tin/Lead on solder tails, all over 75μ" min. Nickel

THROUGH HOLE

SHEET #	MODULE HEIGHT	LATCH	ROTATION	PCB PATTERN
2	.125	PLASTIC	STANDARD(LEFT)	PATTERN 1
3	.125	PLASTIC	REVERSE(RIGHT)	PATTERN 3
4	.160	PLASTIC	STANDARD(LEFT)	PATTERN 1
5	.160	PLASTIC	STANDARD(LEFT)	PATTERN 2
6	.160	PLASTIC	REVERSE(RIGHT)	PATTERN 3
7	.160	METAL	STANDARD(LEFT)	PATTERN 1
8	.160	METAL	STANDARD(LEFT)	PATTERN 2
9	.160	METAL	REVERSE(RIGHT)	PATTERN 3
10	.190	PLASTIC	STANDARD(LEFT)	PATTERN 1
11	.190	PLASTIC	STANDARD(LEFT)	PATTERN 2
12	.190	PLASTIC	REVERSE(RIGHT)	PATTERN 3
13	.190	METAL	STANDARD(LEFT)	PATTERN 1
14	.190	METAL	STANDARD(LEFT)	PATTERN 2
15	.190	METAL	REVERSE(RIGHT)	PATTERN 3
16	.250	PLASTIC	STANDARD(LEFT)	PATTERN 1
17	.250	PLASTIC	STANDARD(LEFT)	PATTERN 2
18	.250	PLASTIC	REVERSE(RIGHT)	PATTERN 3
19	.250	METAL	STANDARD(LEFT)	PATTERN 1
20	.250	METAL	STANDARD(LEFT)	PATTERN 2
21	.250	METAL	REVERSE(RIGHT)	PATTERN 3
22	.290	PLASTIC	STANDARD(LEFT)	PATTERN 1
23	.290	PLASTIC	STANDARD(LEFT)	PATTERN 2
24	.290	PLASTIC	REVERSE(RIGHT)	PATTERN 3
25	.290	METAL	STANDARD(LEFT)	PATTERN 1
26	.290	METAL	STANDARD(LEFT)	PATTERN 2
27	.290	METAL	REVERSE(RIGHT)	PATTERN 3

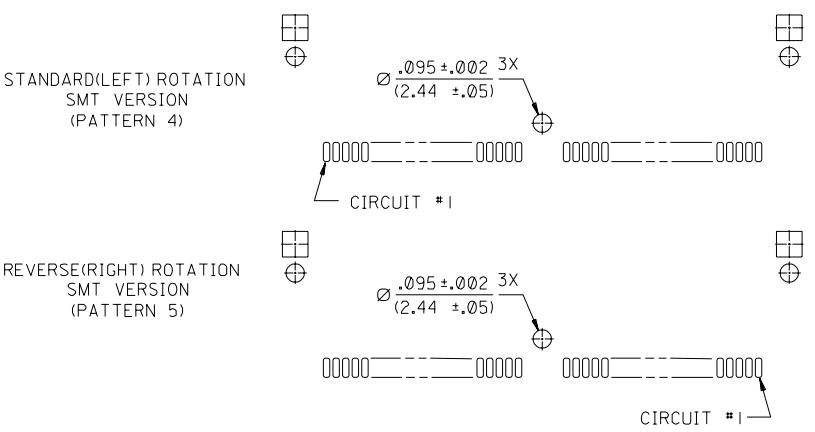
THROUGH HOLE PATTERNS



SURFACE MOUNT

SHEET #	MODULE HEIGHT	LATCH	ROTATION	PCB PATTERN
28	.160	METAL	STANDARD(LEFT)	PATTERN 4
29	.160	METAL	REVERSE(RIGHT)	PATTERN 5
30	.190	METAL	STANDARD(LEFT)	PATTERN 4
31	.190	METAL	REVERSE(RIGHT)	PATTERN 5
32	.250	METAL	STANDARD(LEFT)	PATTERN 4
33	.250	METAL	REVERSE(RIGHT)	PATTERN 5
34	.290	METAL	STANDARD(LEFT)	PATTERN 4
35	.290	METAL	REVERSE(RIGHT)	PATTERN 5

SURFACE MOUNT PATTERNS



P.C. BOARD HOLE PATTERNS

35	B
34	A
33	A
32	A
31	A
30	A
29	A
28	A
27	A
26	A
25	A
24	A
23	A
22	A
21	A
20	A
19	A
18	A
17	B
16	A
15	A
14	A
13	A
12	A
11	A
10	A
9	A
8	A
7	A
6	A
5	A
4	A
3	C1
2	C1
1	C1

VOID CKT SIZES
ECN #UDT1999-0200
DMORGAN 98/10/07

CHANGED -8403
PER ECN#UB1132
SPTWAK 97/11/15

REVISED
PER ECN U50613
GMY 12-22-94

RELEASED
PER ECN U31660
AMD 11/11/93

DIMENSIONS SHOWN (METRIC) INCH
UNLESS OTHERWISE SPECIFIED
TOLERANCES ANGULAR ± 1/2°

3 PLACE	INCH	METRIC
± .01	---	---
± .014	± 0.25	---
---	± 0.36	---

DRAFT WHERE APPLICABLE MUST REMAIN WITHIN DIMENSIONS

DRWG. NO. SDA-78968-*****

FILE NAME S078968001

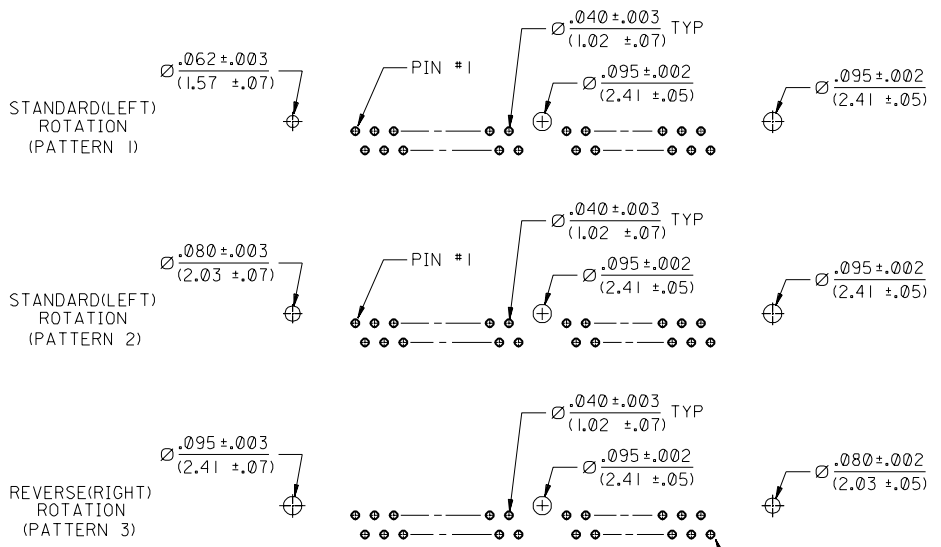
SCALE 2 : 1

THIS DRAWING CONTAINS INFORMATION THAT IS PROPRIETARY TO MOLEX INC. AND SHOULD NOT BE USED WITHOUT WRITTEN PERMISSION.

THROUGH HOLE

SHEET #	MODULE HEIGHT	LATCH	ROTATION	PCB PATTERN
2	.125	PLASTIC	STANDARD(LEFT)	PATTERN 1
3	.125	PLASTIC	REVERSE(RIGHT)	PATTERN 3
4	.160	PLASTIC	STANDARD(LEFT)	PATTERN 1
5	.160	PLASTIC	STANDARD(LEFT)	PATTERN 2
6	.160	PLASTIC	REVERSE(RIGHT)	PATTERN 3
7	.160	METAL	STANDARD(LEFT)	PATTERN 1
8	.160	METAL	STANDARD(LEFT)	PATTERN 2
9	.160	METAL	REVERSE(RIGHT)	PATTERN 3
10	.190	PLASTIC	STANDARD(LEFT)	PATTERN 1
11	.190	PLASTIC	STANDARD(LEFT)	PATTERN 2
12	.190	PLASTIC	REVERSE(RIGHT)	PATTERN 3
13	.190	METAL	STANDARD(LEFT)	PATTERN 1
14	.190	METAL	STANDARD(LEFT)	PATTERN 2
15	.190	METAL	REVERSE(RIGHT)	PATTERN 3
16	.250	PLASTIC	STANDARD(LEFT)	PATTERN 1
17	.250	PLASTIC	STANDARD(LEFT)	PATTERN 2
18	.250	PLASTIC	REVERSE(RIGHT)	PATTERN 3
19	.250	METAL	STANDARD(LEFT)	PATTERN 1
20	.250	METAL	STANDARD(LEFT)	PATTERN 2
21	.250	METAL	REVERSE(RIGHT)	PATTERN 3
22	.290	PLASTIC	STANDARD(LEFT)	PATTERN 1
23	.290	PLASTIC	STANDARD(LEFT)	PATTERN 2
24	.290	PLASTIC	REVERSE(RIGHT)	PATTERN 3
25	.290	METAL	STANDARD(LEFT)	PATTERN 1
26	.290	METAL	STANDARD(LEFT)	PATTERN 2
27	.290	METAL	REVERSE(RIGHT)	PATTERN 3

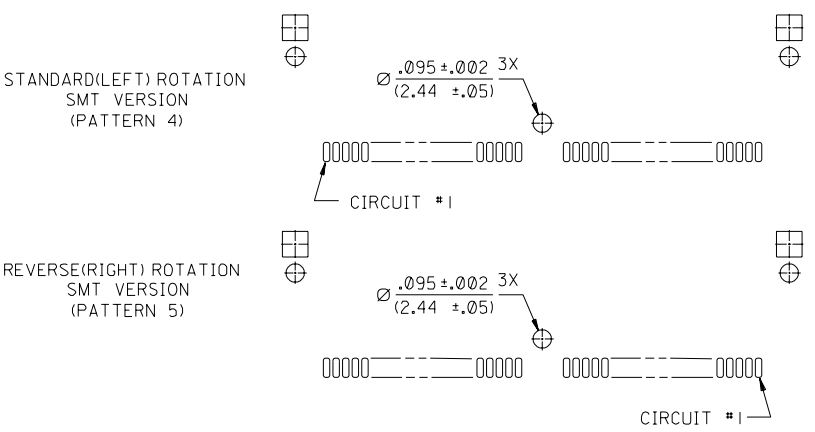
THROUGH HOLE PATTERNS



SURFACE MOUNT

SHEET #	MODULE HEIGHT	LATCH	ROTATION	PCB PATTERN
28	.160	METAL	STANDARD(LEFT)	PATTERN 4
29	.160	METAL	REVERSE(RIGHT)	PATTERN 5
30	.190	METAL	STANDARD(LEFT)	PATTERN 4
31	.190	METAL	REVERSE(RIGHT)	PATTERN 5
32	.250	METAL	STANDARD(LEFT)	PATTERN 4
33	.250	METAL	REVERSE(RIGHT)	PATTERN 5
34	.290	METAL	STANDARD(LEFT)	PATTERN 4
35	.290	METAL	REVERSE(RIGHT)	PATTERN 5

SURFACE MOUNT PATTERNS



P.C. BOARD HOLE PATTERNS

35	B
34	A
33	A
32	A
31	A
30	A
29	A
28	A
27	A
26	A
25	A
24	A
23	A
22	A
21	A
20	A
19	A
18	A
17	B
16	A
15	A
14	A
13	A
12	A
11	A
10	A
9	A
8	A
7	A
6	A
5	A
4	A
3	C1
2	C1
1	C1

VOID CKT SIZES
ECN #UDT1999-0200
DMORGAN 98/10/07

CHANGED -8403
PER ECN#UB1132
SPTWAK 97/11/15

REVISED
PER ECN U50613
GMY 12-22-94

RELEASED
PER ECN U31660
AMD 11/11/93

DIMENSIONS SHOWN (METRIC) INCH
UNLESS OTHERWISE SPECIFIED
TOLERANCES ANGULAR ± 1/2°

3 PLACE	INCH	METRIC
± .01	---	---
± .014	± 0.25	---
---	± 0.36	---

DRAFT WHERE APPLICABLE MUST REMAIN WITHIN DIMENSIONS

DRWG. NO. SDA-78968-*****

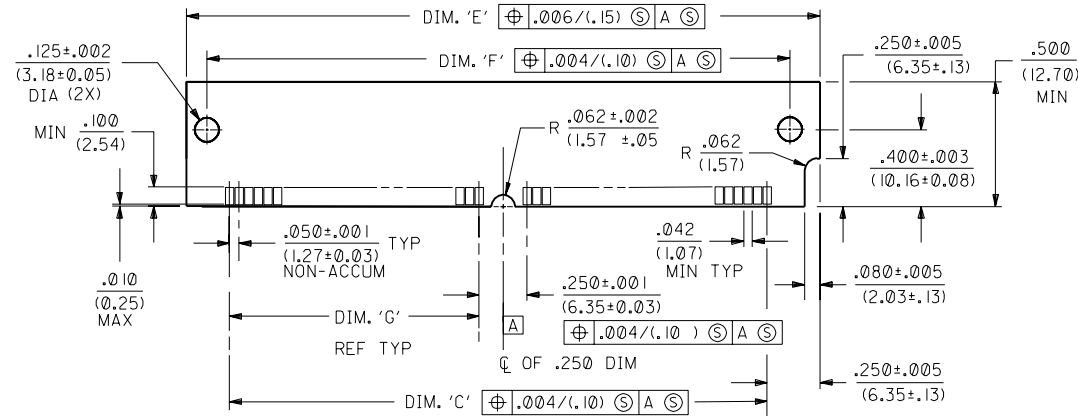
FILE NAME S078968001

SCALE 2 : 1

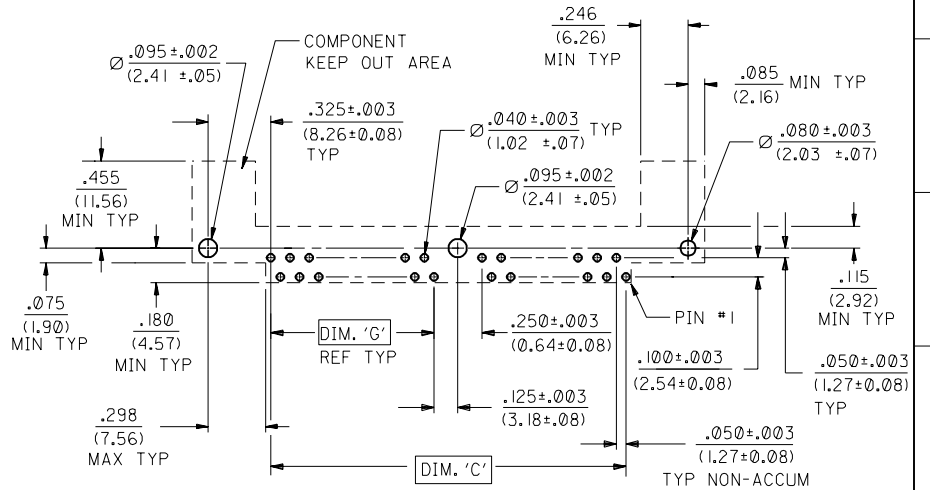
THIS DRAWING CONTAINS INFORMATION THAT IS PROPRIETARY TO MOLEX INC. AND SHOULD NOT BE USED WITHOUT WRITTEN PERMISSION.

NOTES:
 1. CARD SLOT ACCEPTS .050 +.004/-.003 P.C. BOARDS (MEASURED OVER P.C. PADS).
 2. CENTER PEG IS AN INTERFERENCE FIT TO RECOMMENDED P.C. BOARD HOLE. (WHERE APPLICABLE)
 3. PRODUCT SPEC PS-78968 APPLIES

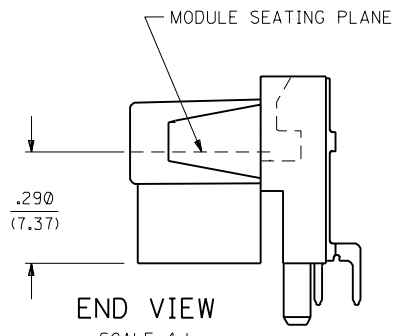
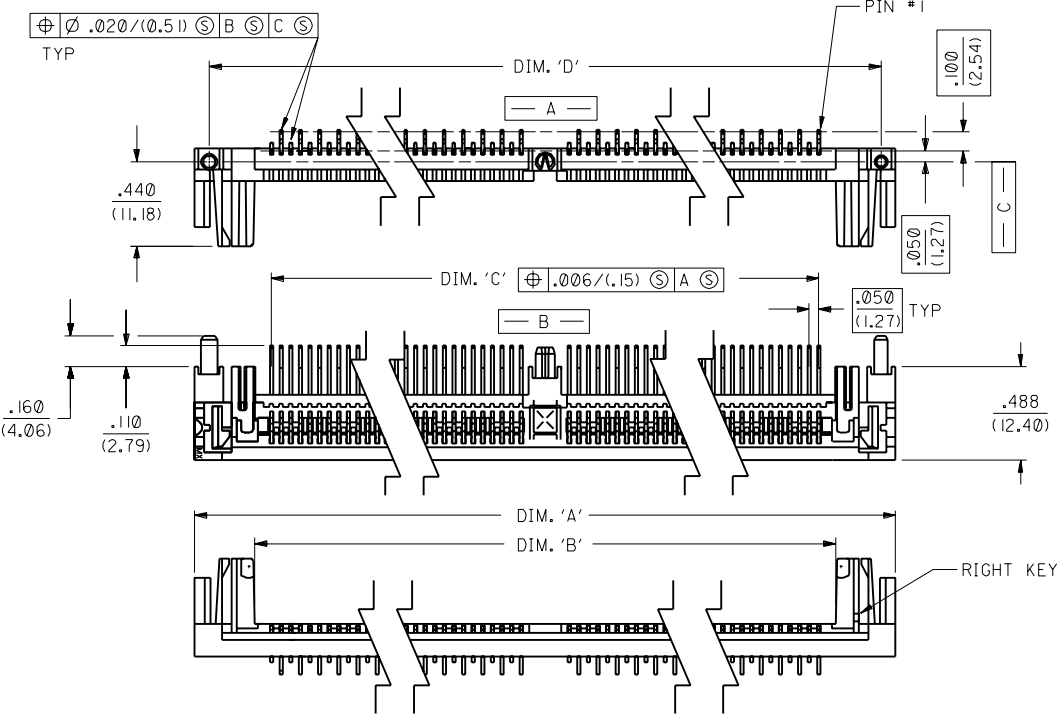
MATERIALS:
 HOUSING- LCP , GLASS FILLED, 94V-0, COLOR: BLACK.
 TERMINAL- PHOSPHOR BRONZE
 PLATING- SEE CHART



"SIMM" P.C. BOARD LAYOUT



RECOMMENDED SOCKET P.C. BOARD HOLE PATTERN



END VIEW SCALE 4:1

CIRCUITS	DIM. 'A'	DIM. 'B'	DIM. 'C'	DIM. 'D'	DIM. 'E'	DIM. 'F'	DIM. 'G'	ENG. NUMBER	EDP NUMBER	ENG. NUMBER	EDP NUMBER
								TIN/LEAD PLT.	TIN/LEAD PLT.	GOLD PLATING	GOLD PLATING
40	2.950/(74.93)	2.327/(59.11)	2.150/(54.61)	2.800/(71.12)	2.650/(67.31)	2.384/(60.55)	.950/(24.13)	-4023	15-82-1596	-4024	15-82-1603
64	4.150/(105.41)	3.527/(89.58)	3.350/(85.09)	4.000/(101.60)	3.850/(97.79)	3.584/(91.03)	1.550/(39.37)	-6427	15-82-1597	-6428	15-82-1604
68	4.350/(110.49)	3.727/(94.66)	3.550/(90.17)	4.200/(106.68)	4.050/(102.87)	3.784/(96.12)	1.650/(41.91)	-6827	15-82-1598	-6828	15-82-1605
72	4.550/(115.57)	3.927/(99.74)	3.750/(95.25)	4.400/(111.76)	4.250/(107.95)	3.984/(101.19)	1.750/(44.45)	-7228	15-82-1592	-7229	15-82-1599
80	4.950/(125.73)	4.327/(109.90)	4.150/(105.41)	4.800/(121.92)	4.650/(118.11)	4.384/(111.35)	1.950/(49.53)	-8027	15-82-1600	-8028	15-82-1607
84	5.150/(130.81)	4.527/(114.98)	4.350/(109.22)	5.000/(127.00)	4.850/(123.19)	4.584/(116.43)	2.050/(52.07)	-8427	15-82-1601	-8428	15-82-1608
100	5.950/(151.13)	5.327/(135.13)	5.150/(130.81)	5.800/(147.32)	5.650/(143.51)	5.384/(136.75)	2.450/(62.23)	-1027	15-82-1602	-1028	15-82-1609

REVISIONS

REV.	DATE	DESCRIPTION
A		SEE SHEET 1

REVISIONS

MFG. SH. REV. LTR. REVISIONS

UNLESS OTHERWISE SPECIFIED TOLERANCES ANGULAR 1/2°

PLACEMENT	INCH	METRIC
3 PLACE	$\pm .01$	---
2 PLACE	$\pm .014$	± 0.25
1 PLACE	---	± 0.36

DRAFT WHERE APPLICABLE MUST REMAIN WITHIN DIMENSIONS

FILE NAME: SD7896824

DATE: 11/11/93

MOLEX INCORPORATED

SALES ASSM, PLASTIC LATCH .290 MOD. HGT., RIGHT (REV.) KEY, RIGHT ANGLE SIMM SOCKET

SEE CHART

SDA-78968-****