

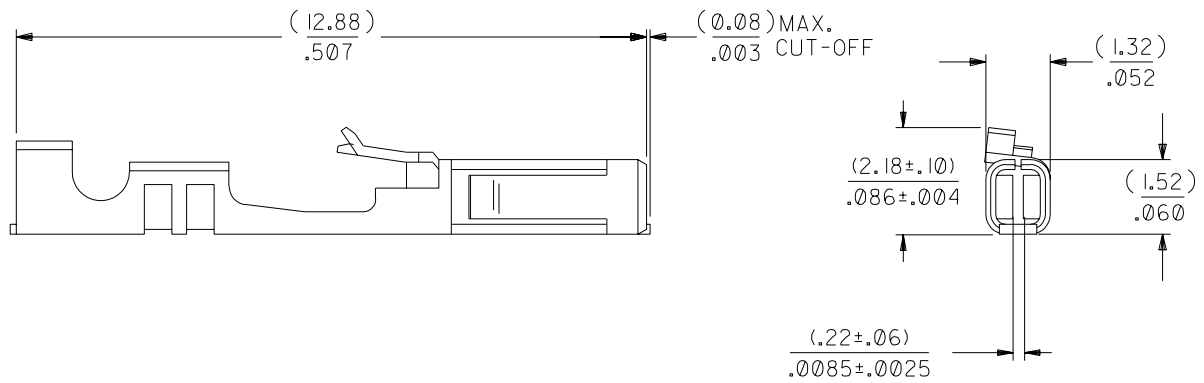
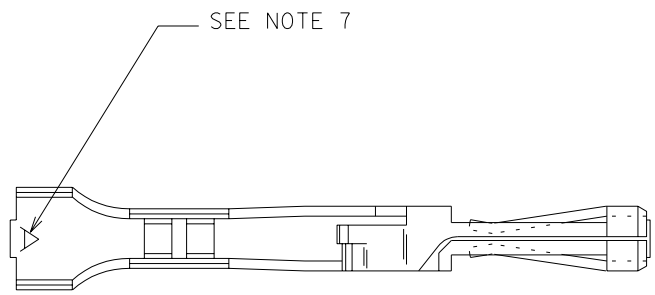
NOTES:

1. TERMINAL TO BE USED IN HOUSINGS 70066-**** AND 70450-****
2. REFER TO PRODUCT SPECIFICATION PS-70058
3. REFER TO MOLEX OPERATIONS AND SERVICE MANUAL FOR CRIMP DETAILS
4. TERMINAL TO BE USED WITH (0.64)/.025 SQUARE PINS
5. TERMINAL TO BE USED WITH 24-30 AWG STRANDED WIRE WITH (1.52)/.060 MAX. DIA. INSULATION
6. TERMINALS SUPPLIED IN REEL FORM
7. CRIMP SIZE INDICATOR A=24-30 AWG

*THE PRIMARY SHIPPING CARTON WILL BE LABELED "COMPLIANT TO RoHS DIRECTIVE 2002/95/EC AND ELV ANNEX II OF DIRECTIVE 2000/53/EC". CARTONS WITHOUT THIS LABEL MAY CONTAIN PRODUCT WITH LEAD.

PLATING:

.000030 MIN. GOLD PLATE IN SELECT AREA,
 .000075 MIN. TIN PLATE IN SELECT AREA,
 OVER NICKEL PLATE OVERALL.



DIMENSIONS SHOWN (METRIC) INCH UNLESS OTHERWISE SPECIFIED TOLERANCES: ANGULAR ± 1/2°		▽ = 0 ▼ = 0 REVISE ONLY ON CAD SYSTEM	
3 PLACE ± .005 --- 2 PLACE ± .01 ± 0.13 1 PLACE --- ± 0.25		TITLE TERMINAL - BOX/CRIMP	
DRAFT WHERE APPLICABLE MUST REMAIN WITHIN DIMENSIONS		MOLEX INCORPORATED SHEET NO. DATE LISLE, ILL. 60532 U.S.A. 1 OF 1 03/02/88	
DRWG. BY: JAS CHK'D. BY:		PART NO. DRWG. NO. 016-02-0083 SD-70058-0008	
APP'D. BY: SCALE 10:1		FILE NAME: S70058A7.DGN THIS DRAWING CONTAINS INFORMATION THAT IS PROPRIETARY TO MOLEX INC. AND SHOULD NOT BE USED WITHOUT WRITTEN PERMISSION.	
DIV. SIZE DA B			

		DI	REVISED ECR #U80270 MCGRATH 97/07/31
E	LEAD FREE UCP2004-1769 RWHITE 04/03/11	D	REVISE PER ECR# U82218 11-07-88 MJM/MGB
D2	ADD. CRP. SIZE&NOTE 7 ECN UDT1998-0183 MQWANG 04/16/98	C	REDRAWN & REVISED PER ECR #U81133 03/02/88 MJM/JAS
LTR.	REVISIONS	LTR.	REVISIONS