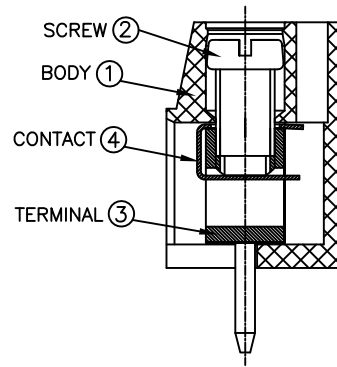
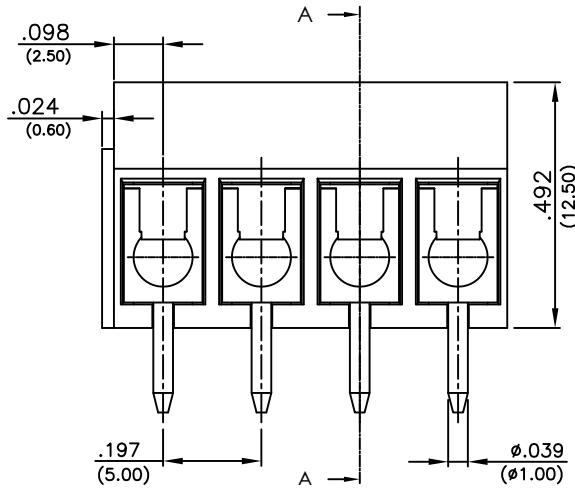
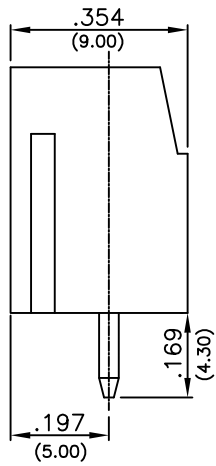
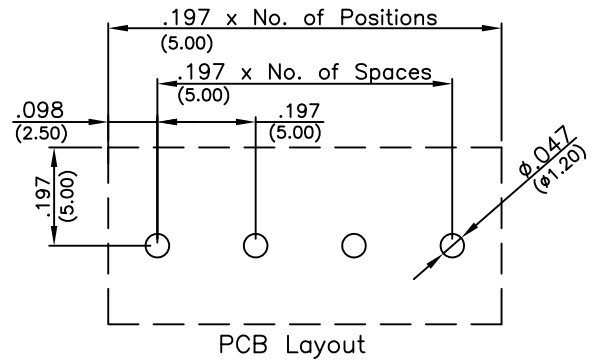
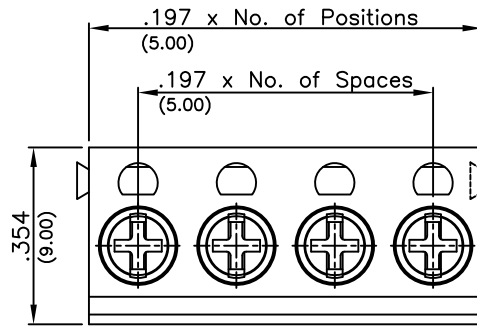


Major League Electronics .197 cl Wire Protector Terminal Blocks



Section A-A

Ordering Information

TBW-02-197-XX-XX-LF

Pitch
197 = .197 (5.00) cl

No. of Positions
02 - 24

Lead Free

Color

GR = Green (Standard)

BK = Black

BL = Blue

WH = White

GY = Grey

OR = Orange

YW = Yellow

RD = Red

BR = Brown

Specifications

Current Rating: 10 Ampere

Voltage Rating: AC 250V

Wire Range: 14-24 AWG

Dielectric Withstanding Voltage: AC 2500V/1 minute

Insulation Resistance: DC 500V 500MΩ

Operating Temperature: -33°C to + 105°C

Max Torque: 3.47 lb-in (4.0kgf. cm)

Strip Length: .177-.197 (4.5-5mm)

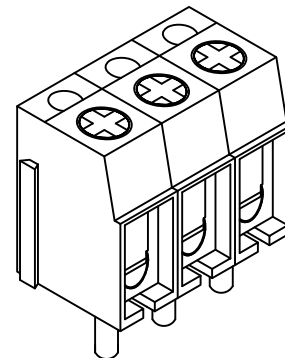
Materials

1. Body: PA66 (Nylon), UL94 V-0

2. Screw: M3.0-6H, C1018 Steel, Zinc Plated

3. Terminal: H62 Brass, Tin Plated

4. Contact: SUS301 Stainless Steel



Parts are subject to change without notice

TBW-02-197-XX-XX-LF

.197cl Wire Protector Terminal Block
Interlock

03 DEC 08

Scale
NTS

UNLESS OTHERWISE SPECIFIED
DIMENSIONS IN INCHES (MM)
TOLERANCES IN INCHES:

ONE DECIMAL PLACE ±0.30
TWO DECIMAL PLACE ±0.20
THREE DECIMAL PLACE ±0.15
FOUR DECIMAL PLACE ±0.10



4235 Earnings Way, New Albany, Indiana, 47150, USA

1-800-782-3486 (USA/Canada/Mexico)

Tel: 812-944-7244

Fax: 812-944-7268

E-mail: mle@mlelectronics.com

Web: www.mlelectronics.com

Revision
B

Sheet
1/2

Revisions

Revision B - (19th Mar 2010)

Side View Added & Amended Pin to Chamfered End.

Parts are subject to change without notice

TBW-02-197-XX-XX-LF

.197cl Wire Protector Terminal Block
Interlock

03 DEC 08

Scale
NTS

UNLESS OTHERWISE SPECIFIED
DIMENSIONS IN INCHES (MM)
TOLERANCES IN INCHES:

ONE DECIMAL PLACE ±0.30
TWO DECIMAL PLACE ±0.20
THREE DECIMAL PLACE ±0.15
FOUR DECIMAL PLACE ±0.10



4235 Earnings Way, New Albany, Indiana, 47150, USA
1-800-782-3486 (USA/Canada/Mexico)

Tel: 812-944-7244
Fax: 812-944-7268

E-mail: mle@mlelectronics.com
Web: www.mlelectronics.com

Revision
B

Sheet
2/2