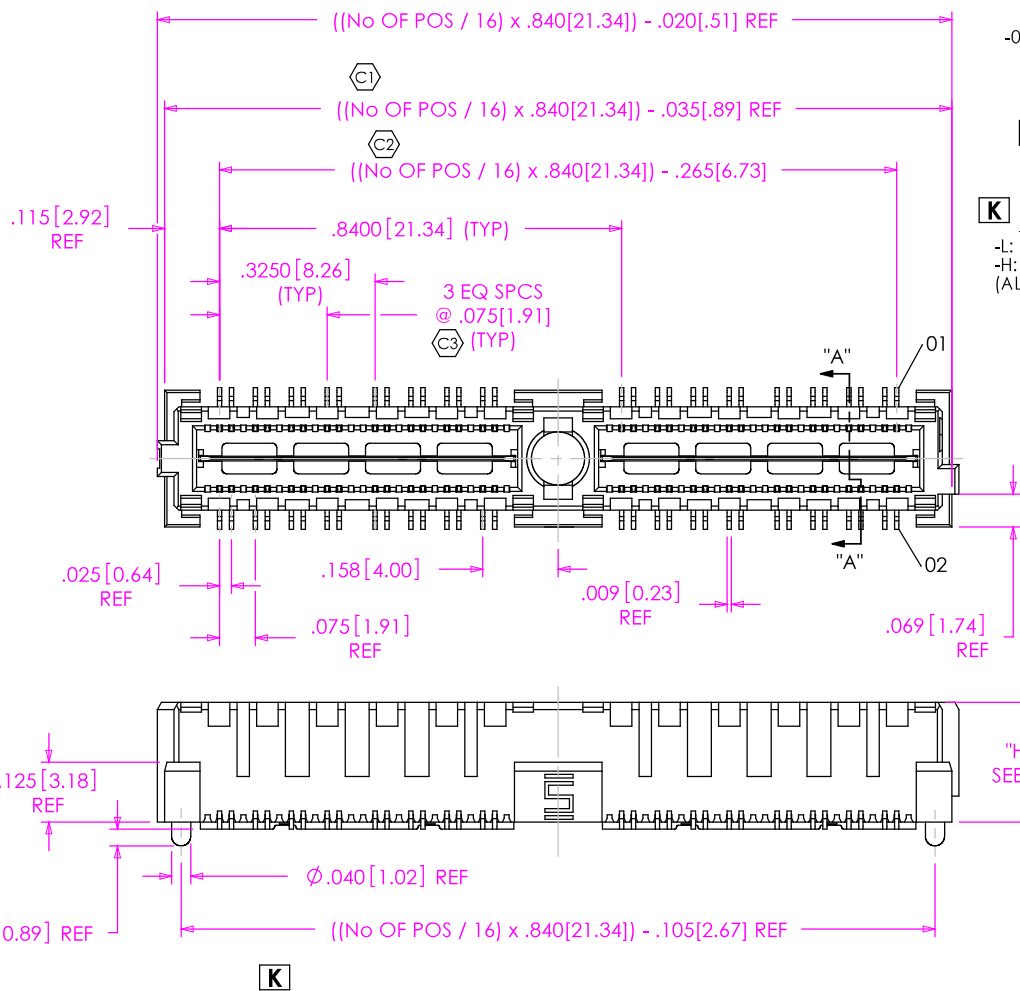


DO NOT SCALE FROM THIS PRINT



QMS-XXX-XX-X-D-DP-X-XXX

No OF PAIRS  
-016, -032, -048, -064, \*-080  
(PER ROW)

LEAD STYLE  
K -10  
-11 (SEE FIG. 1)

K PLATING SPECIFICATION  
-L: LIGHT GOLD (USE T-1M19-XX.XX-L)  
-H: HEAVY GOLD (USE T-1M19-XX.XX-H)  
(ALL PLATING STYLES USE T-1G19-XX.XX-L)

ROW SPECIFICATION  
-D: DOUBLE  
-DP: DIFFERENTIAL PAIRS

OPTION  
-A: ALIGNMENT PIN

OPTION  
-GP: GUIDE POSTS (SEE FIG. 3, SHEET 2)  
-K: KAPTON PAD (SEE FIG. 2, SHEET 2) [NOT AVAILABLE WITH -PCX]  
-PC4: POWER COMBO 4 (SEE FIG. 5, SHEET 4)  
-PC8: POWER COMBO 8 (SEE FIG. 5, SHEET 4)  
-RF1: 1 RF POS PER END (SEE FIG 6, SHEET 5)  
-RF2: 2 RF POS PER END (SEE FIG 7, SHEET 5)  
-RT1: 1 RT POS PER END (SEE FIG 8, SHEET 6)

(END OPTION APPLIES TO BOTH ENDS, COMBINATIONS ARE NOT AVAILABLE)  
(-PCX & -RFX NOT AVAILABLE IN COMBINATION WITH -A, -GP, OR -K)  
(-PCX & -RFX AVAILABLE IN POS -016, -032, & -048 ONLY)  
(-RFX & -RT1 AVAILABLE IN -10 LEAD STYLE ONLY)  
(-RT1 AVAILABLE IN POS -016, -032, \*-048 & \*-064 WITH -A OPTION ONLY)

\* = NOT TOOLED  
\*\* = NOT RELEASED

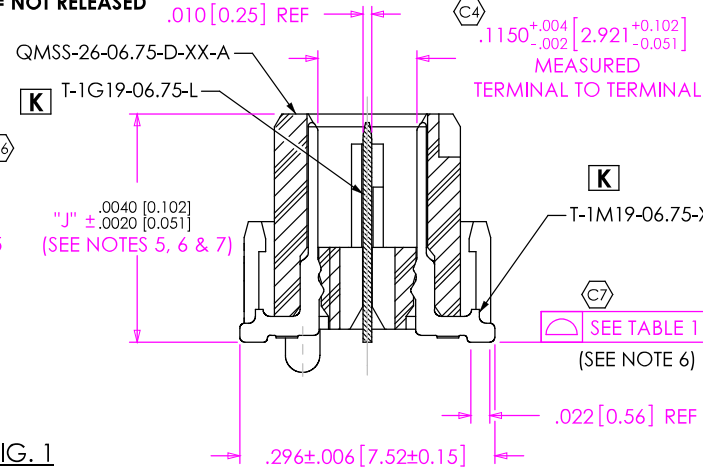


FIG. 1  
-11 LEAD STYLE  
(QMS-032-11-X-D-DP-A SHOWN)  
(MATED HEIGHT WITH QFS-01: .433 [1.00] REF)

SECTION "A-A"  
SCALE 4.5 : 1

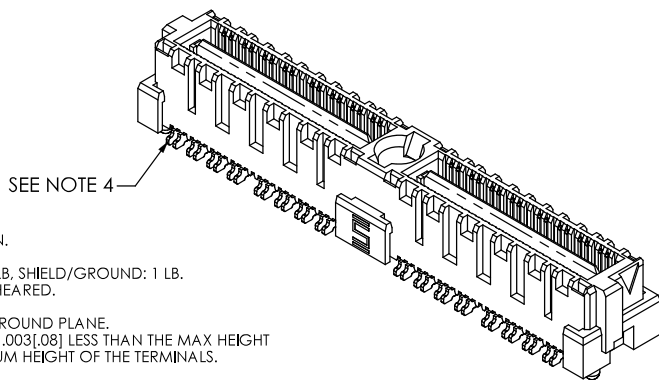
TABLE 5						MATED HEIGHT WITH QSS-01
LEAD STYLE	"H"	"J"	TERMINAL	GROUND PLANE	BODY	
-10	.212 [5.38]	.2268 [5.761]	T-1M19-05.75-X	T-1G19-05.75-L	QMS-26-05.75-D-XX-A	.394[10.00] REF
-11	.250 [6.35]	.2650 [6.731]	T-1M19-06.75-X	T-1G19-06.75-L	QMS-26-06.75-D-XX-A	.433[11.00] REF

TABLE 1		
No OF POSITIONS	No OF BANKS	COPLANARITY
-016 THRU -048	1 THRU 3	.004[.10]
-064 AND *-080	4 AND 5	.006[.15]

\* = NOT TOOLED

NOTES:

- ⊙ REPRESENTS A CRITICAL DIMENSION.
- BURR ALLOWANCE: .0015 MAX.
- MINIMUM PUSHOUT FORCE: SIGNAL: .5 LB. SHIELD/GROUND: 1 LB.
- ALL TERMINALS FOR THE QMS WILL BE SHEARED.
- MAX VARIANCE OF .002.
- DIMENSION APPLIES TO CONTACTS & GROUND PLANE.
- GROUND PLANE PRESS HEIGHT MUST BE .003[.08] LESS THAN THE MAX HEIGHT OR .001[.03] GREATER THAN THE MINIMUM HEIGHT OF THE TERMINALS.
- PARTS TO BE PACKAGED IN TRAYS



UNLESS OTHERWISE SPECIFIED, DIMENSIONS ARE IN INCHES.  
TOLERANCES ARE:  
DECIMALS ANGLES  
.XX: ±.01 [.3] 2°  
.XXX: ±.005 [.13]  
.XXXX: ±.0020 [.051]

PROPRIETARY NOTE

THIS DOCUMENT CONTAINS INFORMATION CONFIDENTIAL AND PROPRIETARY TO SAMTEC, INC. AND SHALL NOT BE REPRODUCED OR TRANSFERRED TO OTHER DOCUMENTS OR DISCLOSED TO OTHERS OR USED FOR ANY PURPOSE OTHER THAN THAT WHICH IT WAS OBTAINED WITHOUT THE EXPRESSED WRITTEN CONSENT OF SAMTEC, INC.

MATERIAL: DO NOT SCALE DRAWING SHEET SCALE: 1:0.4  
INSULATOR: LCP, COLOR: BLACK  
TERMINAL & GROUND PLANE: PHOS BRONZE



**SAMTEC**

520 PARK EAST BLVD, NEW ALBANY, IN 47150  
\* PHONE: 812.944.6733 FAX: 812.948.5047  
e-Mail: [INFO@SAMTEC.COM](mailto:INFO@SAMTEC.COM) CODE: 55322

DESCRIPTION:  
.635mm DIFFERENTIAL PAIRS TERMINAL STRIP

DWG. NO. QMS-XXX-XX-X-D-DP-X-XXX  
BY: BRATCHER 08/07/2003 SHEET 1 OF 5

IN-PROCESS 1

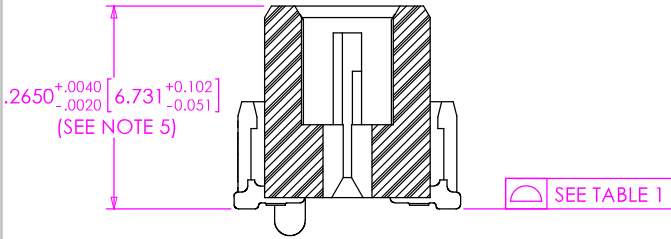
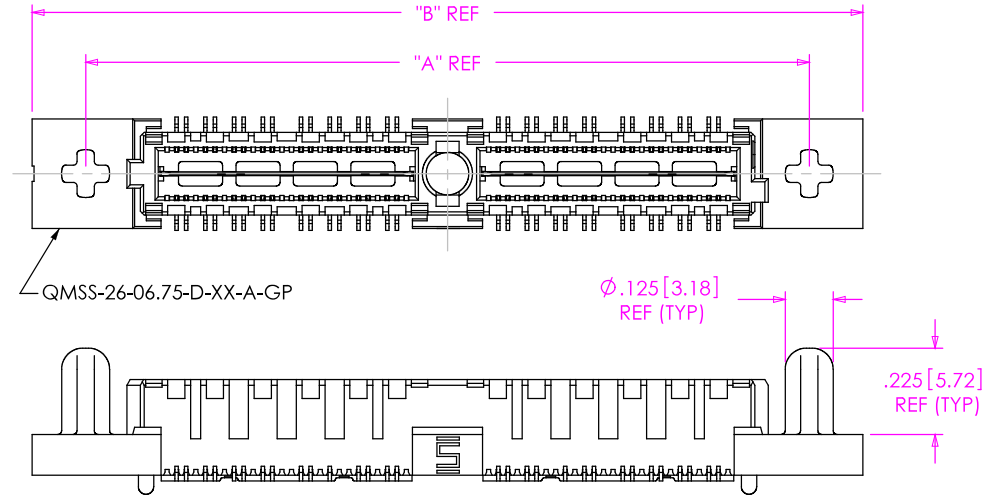


FIG. 3  
 -GP: GUIDE POST OPTION  
 (QMS-032-11-X-D-DP-A-GP SHOWN)



TERMINAL DETAILS

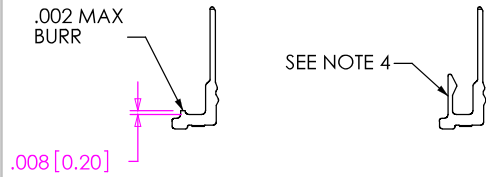
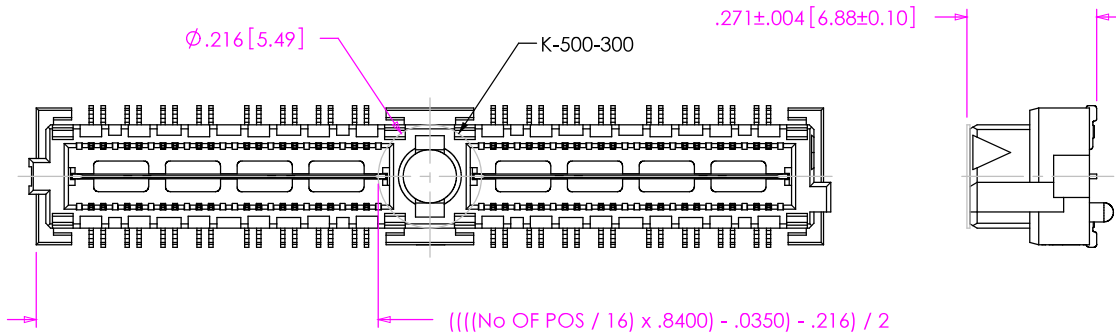


FIG. 2  
 -K: KAPTON PAD OPTION  
 (QMS-032-11-X-D-DP-A-K SHOWN)



K

ASSEMBLY	"A"	"B"
QMS-016-XX-X-D-DP-A-GP	1.050[26.67]	1.330[33.78]
QMS-032-XX-X-D-DP-A-GP	1.890[48.00]	2.170[55.12]
QMS-048-XX-X-D-DP-A-GP	2.730[69.34]	3.010[76.45]
QMS-064-XX-X-D-DP-A-GP	3.570[90.68]	3.850[97.79]
* QMS-080-XX-X-D-DP-A-GP	4.410[112.01]	4.690[119.13]

\* = NOT TOOLED

PROPRIETARY NOTE

THIS DOCUMENT CONTAINS INFORMATION CONFIDENTIAL AND PROPRIETARY TO SAMTEC, INC. AND SHALL NOT BE REPRODUCED OR TRANSFERRED TO OTHER DOCUMENTS OR DISCLOSED TO OTHERS OR USED FOR ANY PURPOSE OTHER THAN THAT WHICH IT WAS OBTAINED WITHOUT THE EXPRESSED WRITTEN CONSENT OF SAMTEC, INC.

DO NOT SCALE DRAWING

SHEET SCALE: 1:0.4

**SAMTEC**

520 PARK EAST BLVD, NEW ALBANY, IN 47150  
 \* PHONE: 812.944.6733 FAX: 812.948.5047  
 e-Mail: [INFO@SAMTEC.COM](mailto:INFO@SAMTEC.COM) CODE: 55322

DESCRIPTION:  
 .635mm DIFFERENTIAL PAIRS TERMINAL STRIP

DWG. NO.

QMS-XXX-XX-X-D-DP-X-XXX

BY: BRATCHER 08/07/2003 SHEET 2 OF 5

FIG. 5 -PCX OPTION

POWER COMBO OPTIONS  
 QMS-032-11-X-D-DP-PC4 SHOWN  
 (SAME AS FIG. 1, UNLESS OTHERWISE STATED)  
 [NOT AVAILABLE WITH -GP OPTION, AVAILABLE ON LEAD STYLE -11 ONLY]  
 (AVAILABLE ON -016, -032 & -048 POSITIONS ONLY)

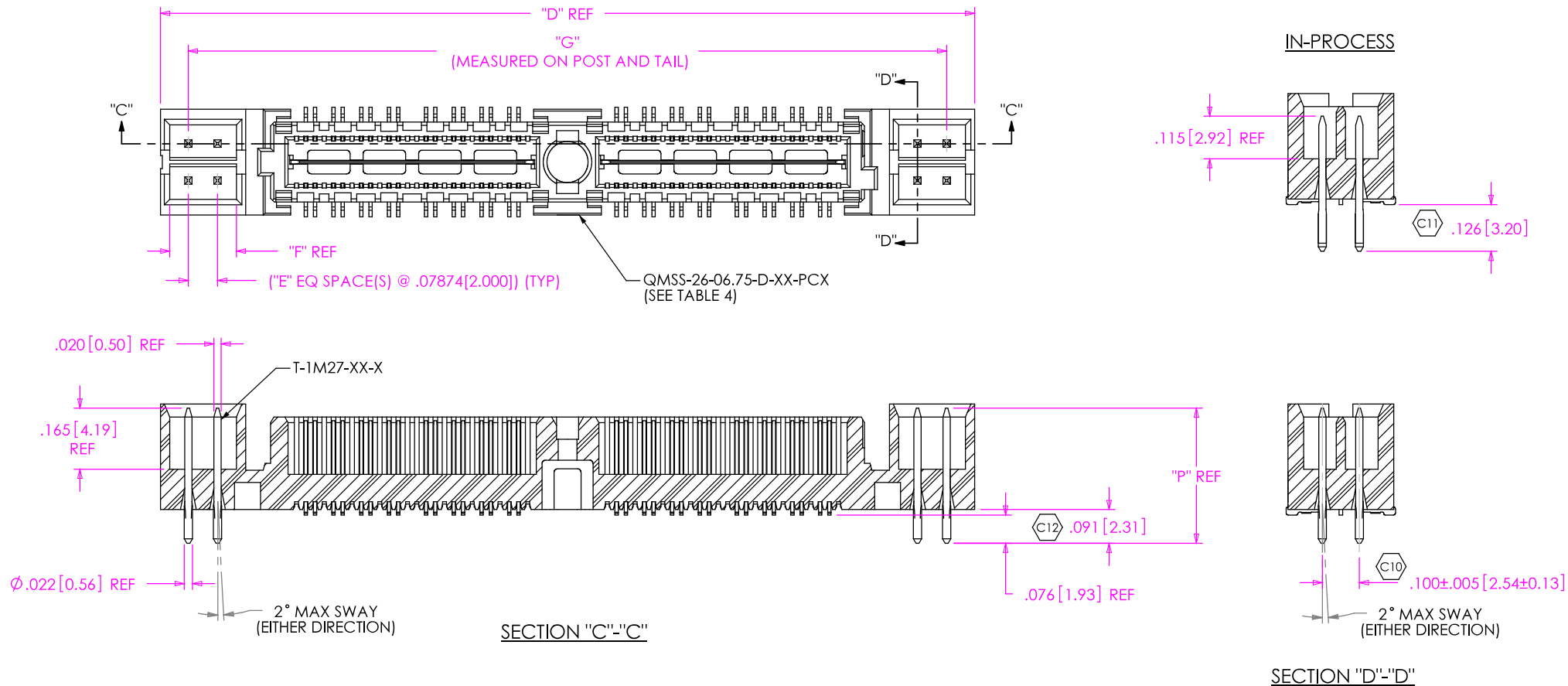


TABLE 4

ASSEMBLY	BODY	TERMINAL	"D"	"E"	"F"	"G"
QMS-016-11-X-D-DP-PC4	QMSS-26-06.75-D-01-PC4	T-1M27-01-X	1.360[34.54]	1	.180[4.57]	1.209[30.71]
QMS-016-11-X-D-DP-PC8	QMSS-26-06.75-D-01-PC8	T-1M27-01-X	1.675[42.55]	3	.337[8.56]	1.524[38.71]
QMS-032-11-X-D-DP-PC4	QMSS-26-06.75-D-02-PC4	T-1M27-01-X	2.200[55.88]	1	.180[4.57]	2.049[52.04]
QMS-032-11-X-D-DP-PC8	QMSS-26-06.75-D-02-PC8	T-1M27-01-X	2.515[63.88]	3	.337[8.56]	2.364[60.05]
QMS-048-11-X-D-DP-PC4	QMSS-26-06.75-D-03-PC4	T-1M27-01-X	3.040[77.22]	1	.180[4.57]	2.889[73.38]
QMS-048-11-X-D-DP-PC8	QMSS-26-06.75-D-03-PC8	T-1M27-01-X	3.355[85.22]	3	.337[8.56]	3.204[81.38]
QMS-016-10-X-D-DP-PC4	QMSS-26-05.75-D-01-PC4	T-1M27-02-X	1.360[34.54]	1	.180[4.57]	1.209[30.71]
QMS-016-10-X-D-DP-PC8	QMSS-26-05.75-D-01-PC8	T-1M27-02-X	1.675[42.55]	3	.337[8.56]	1.524[38.71]
QMS-032-10-X-D-DP-PC4	QMSS-26-05.75-D-02-PC4	T-1M27-02-X	2.200[55.88]	1	.180[4.57]	2.049[52.04]
QMS-032-10-X-D-DP-PC8	QMSS-26-05.75-D-02-PC8	T-1M27-02-X	2.515[63.88]	3	.337[8.56]	2.364[60.05]
QMS-048-10-X-D-DP-PC4	QMSS-26-05.75-D-03-PC4	T-1M27-02-X	3.040[77.22]	1	.180[4.57]	2.889[73.38]
QMS-048-10-X-D-DP-PC8	QMSS-26-05.75-D-03-PC8	T-1M27-02-X	3.355[85.22]	3	.337[8.56]	3.204[81.38]

TABLE 6

LEAD STYLE	"P"
-10	.331 [8.41]
-11	.365 [9.27]

PROPRIETARY NOTE

THIS DOCUMENT CONTAINS INFORMATION CONFIDENTIAL AND PROPRIETARY TO SAMTEC, INC. AND SHALL NOT BE REPRODUCED OR TRANSFERRED TO OTHER DOCUMENTS OR DISCLOSED TO OTHERS OR USED FOR ANY PURPOSE OTHER THAN THAT WHICH IT WAS OBTAINED WITHOUT THE EXPRESSED WRITTEN CONSENT OF SAMTEC, INC.

DO NOT SCALE DRAWING

SHEET SCALE: 1:0.4

**SAMTEC**

520 PARK EAST BLVD, NEW ALBANY, IN 47150  
 \* PHONE: 812.944.6733 FAX: 812.948.5047  
 e-Mail: [INFO@SAMTEC.COM](mailto:INFO@SAMTEC.COM) CODE: 55322

DESCRIPTION:  
 .635mm DIFFERENTIAL PAIRS TERMINAL STRIP

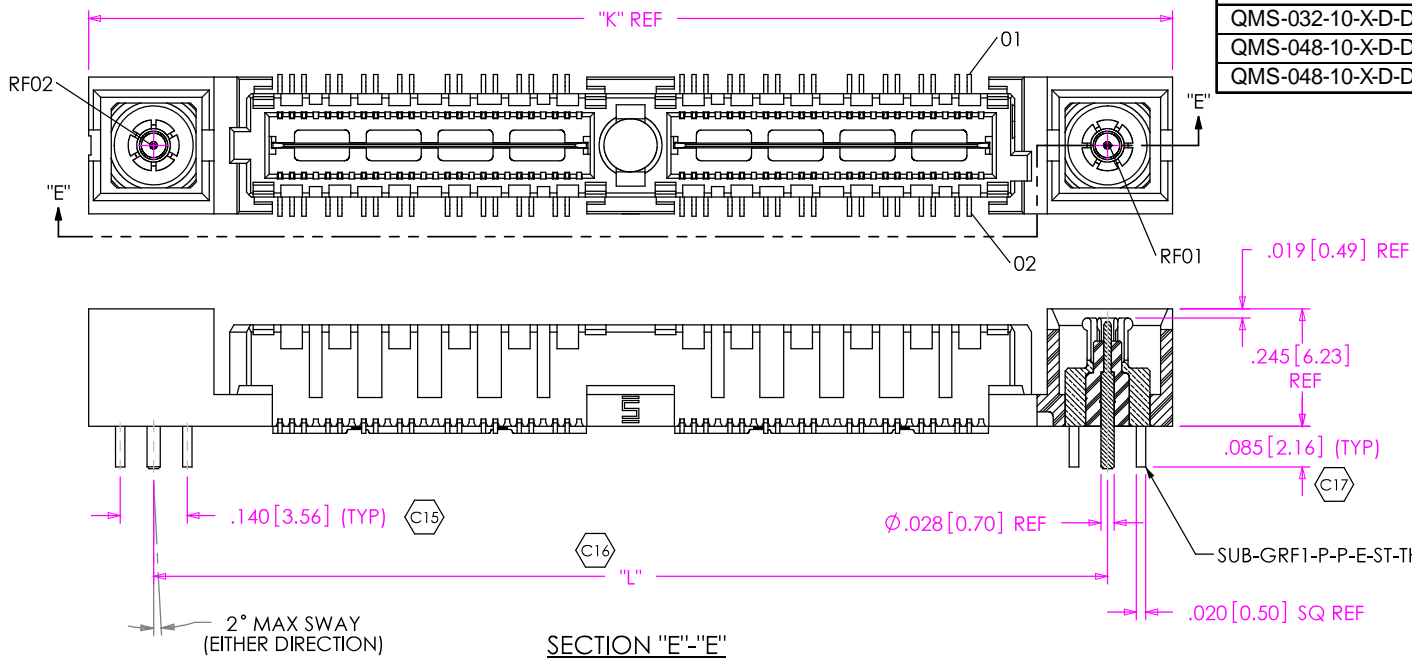
DWG. NO.

QMS-XXX-XX-X-D-DP-X-XXX

BY: BRATCHER 08/07/2003 SHEET 3 OF 5

FIG. 6: -RF1 OPTION

QMS-032-10-X-D-DP-RF1 SHOWN  
 (SAME AS FIG. 1, UNLESS OTHERWISE STATED)  
 [NOT AVAILABLE WITH -A OR -GP OPTION, AVAILABLE ON LEAD STYLE -10 ONLY]  
 (AVAILABLE ON -016, -032 & -048 POSITIONS ONLY)



ASSEMBLY		BODY		"K"	"L"
QMS-016-10-X-D-DP-RF1	QMSS-26-05.75-D-01-RF1	1.425	[36.20]	1.153	[29.29]
QMS-016-10-X-D-DP-RF2	QMSS-26-05.75-D-01-RF2	1.925	[48.90]	1.653	[41.99]
QMS-032-10-X-D-DP-RF1	QMSS-26-05.75-D-02-RF1	2.265	[57.53]	1.993	[50.62]
QMS-032-10-X-D-DP-RF2	QMSS-26-05.75-D-02-RF2	2.765	[70.23]	2.493	[63.32]
QMS-048-10-X-D-DP-RF1	QMSS-26-05.75-D-03-RF1	3.105	[78.87]	2.833	[71.96]
QMS-048-10-X-D-DP-RF2	QMSS-26-05.75-D-03-RF2	3.605	[91.57]	3.333	[84.66]

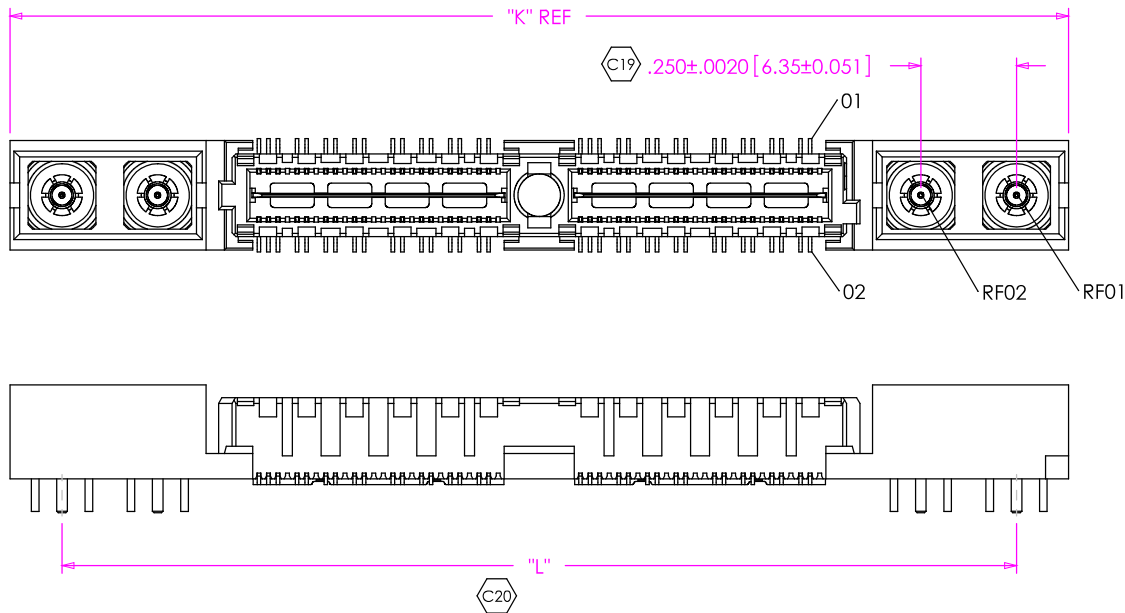


FIG. 7: -RF2 OPTION  
 QMS-032-10-X-D-DP-RF2 SHOWN  
 (SAME AS FIG. 6, UNLESS OTHERWISE STATED)  
 [NOT AVAILABLE WITH -A OR -GP OPTION, AVAILABLE ON LEAD STYLE -10 ONLY]  
 (AVAILABLE ON -016, -032 & -048 POSITIONS ONLY)

**PROPRIETARY NOTE**  
 THIS DOCUMENT CONTAINS INFORMATION CONFIDENTIAL AND PROPRIETARY TO SAMTEC, INC. AND SHALL NOT BE REPRODUCED OR TRANSFERRED TO OTHER DOCUMENTS OR DISCLOSED TO OTHERS OR USED FOR ANY PURPOSE OTHER THAN THAT WHICH IT WAS OBTAINED WITHOUT THE EXPRESSED WRITTEN CONSENT OF SAMTEC, INC.

DO NOT SCALE DRAWING

SHEET SCALE: 1:0.4

**SAMTEC**

520 PARK EAST BLVD, NEW ALBANY, IN 47150  
 \* PHONE: 812.944.6733 FAX: 812.948.5047  
 e-Mail: [INFO@SAMTEC.COM](mailto:INFO@SAMTEC.COM) CODE: 55322

DESCRIPTION:  
 .635mm DIFFERENTIAL PAIRS TERMINAL STRIP

DWG. NO.  
**QMS-XXX-XX-X-D-DP-X-XXX**

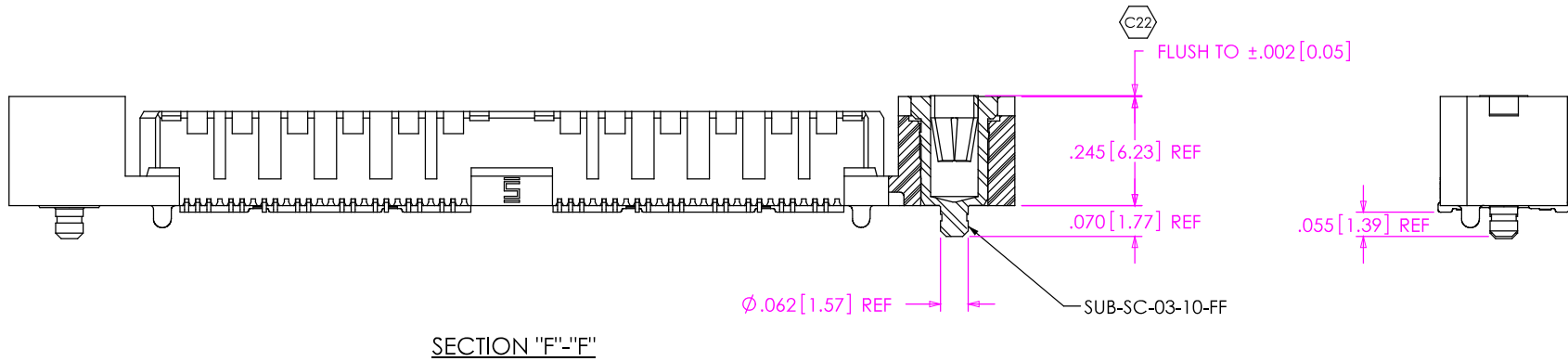
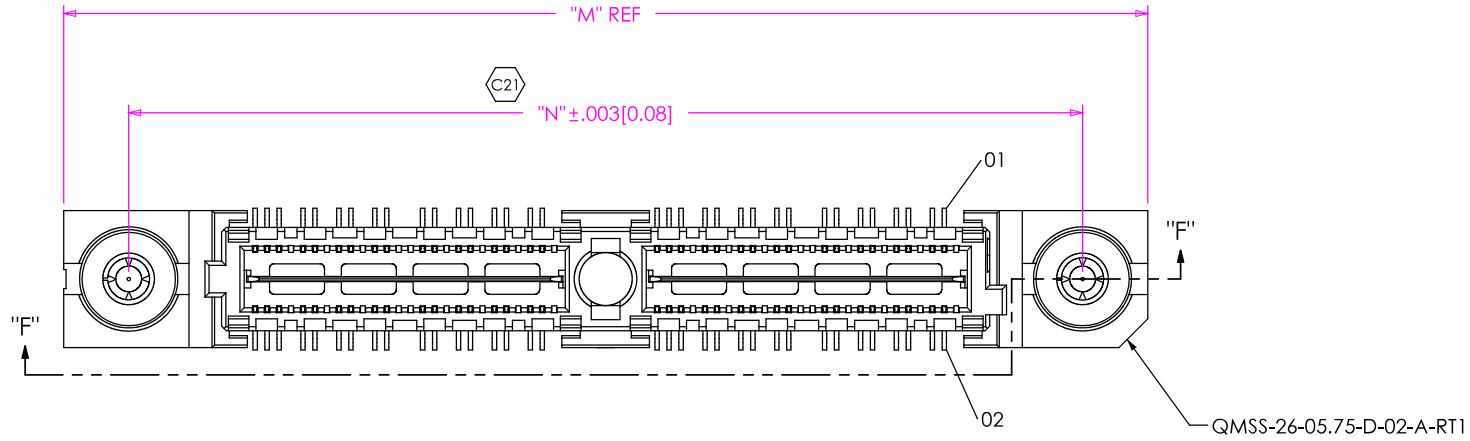
BY: BRATCHER 08/07/2003 SHEET 4 OF 5

FIG. 8  
-RT1 OPTION

QMS-032-10-X-D-DP-RT1 SHOWN  
(SAME AS FIG. 1, UNLESS OTHERWISE STATED)  
[NOT AVAILABLE WITH -GP, -PCX OR -RFX OPTION, AVAILABLE ON LEAD STYLE -10 ONLY]  
(AVAILABLE ON -016, -032, -048, & -064 POSITIONS WITH -A OPTION ONLY)

TABLE 8			
ASSEMBLY	BODY	"M"	"N"
QMS-016-10-X-D-DP-A-RT1	QMSS-26-05.75-D-01-A-RT1	1.425[36.20]	1.153[29.29]
QMS-032-10-X-D-DP-A-RT1	QMSS-26-05.75-D-02-A-RT1	2.265[57.53]	1.993[50.62]
**QMS-048-10-X-D-DP-A-RT1	QMSS-26-05.75-D-03-A-RT1	3.105[78.87]	2.833[71.96]
**QMS-064-10-X-D-DP-A-RT1	QMSS-26-05.75-D-04-A-RT1	3.945[100.20]	3.673[93.29]

\*\* - NOT RELEASED



**PROPRIETARY NOTE**  
THIS DOCUMENT CONTAINS INFORMATION CONFIDENTIAL AND PROPRIETARY TO SAMTEC, INC. AND SHALL NOT BE REPRODUCED OR TRANSFERRED TO OTHER DOCUMENTS OR DISCLOSED TO OTHERS OR USED FOR ANY PURPOSE OTHER THAN THAT WHICH IT WAS OBTAINED WITHOUT THE EXPRESSED WRITTEN CONSENT OF SAMTEC, INC.

DO NOT SCALE DRAWING  
SHEET SCALE: 1:0.4

**SAMTEC**

520 Park East Blvd. New Albany, IN 47151  
Phone (812) 944-6733 Fax (812) 948-5047  
e-Mail: [INFO@SAMTEC.COM](mailto:INFO@SAMTEC.COM) CODE: 55322

DESCRIPTION:  
.635mm DIFFERENTIAL PAIRS TERMINAL STRIP

DWG. NO.  
**QMS-XXX-XX-X-D-DP-X-XXX**

BY: BRATCHER 08/07/2003 SHEET 5 OF 5