



## Precision Bulkhead 2.4mm Female to 2.4mm Female Adapter

### TECHNICAL DATA SHEET

PE9640

#### Precision Bulkhead 2.4mm Female to 2.4mm Female Adapter

##### Configuration

Connector 1	2.4mm Female
Impedance 1	50 Ohms
Connector 2	2.4mm Female
Impedance 2	50 Ohms
Adapter Design	Precision
Body Style	Straight
Mount Method	Bulkhead

##### Electrical Specifications

Frequency Range, GHz	DC to 50
Maximum VSWR	1.35:1

##### Frequency 1

Frequency, GHz	DC to 18
VSWR	1.1:1

##### Frequency 2

Frequency, GHz	18 to 26.5
VSWR	1.2:1

##### Frequency 3

Frequency, GHz	26.5 to 40
VSWR	1.3:1

##### Mechanical Specifications

##### Temperature

Operating Range, deg C	-65 to +125
------------------------	-------------

##### Size

Length, in [mm]	0.825 [20.96]
Width/Dia., in [mm]	0.562 [14.27]

##### Connector 1

Type	2.4mm Female
Inner Conductor Material and Plating	Beryllium Copper, Gold
Body Material and Plating	Passivated Stainless Steel

##### Connector 2

Type	2.4mm Female
Inner Conductor Material and Plating	Beryllium Copper, Gold
Body Material and Plating	Passivated Stainless Steel

Click the following link (or enter part number in "SEARCH" on website) to obtain additional part information including price, inventory and certifications: [Precision Bulkhead 2.4mm Female to 2.4mm Female Adapter PE9640](#)

The information contained in this document is accurate to the best of our knowledge and representative of the part described herein. It may be necessary to make modifications to the part and/or the documentation of the part, in order to implement improvements. Pasternack reserves the right to make such changes as required. Unless otherwise stated, all specifications are nominal.





## Precision Bulkhead 2.4mm Female to 2.4mm Female Adapter

### TECHNICAL DATA SHEET

PE9640

**Compliance Certifications** (visit [www.Pasternack.com](http://www.Pasternack.com) for current document)

RoHS Compliant

Yes

**Plotted and Other Data**

Notes:

Values at 25 °C, sea level

URL: <http://www.pasternack.com/2.4mm-female-2.4mm-female-straight-adapter-pe9640-p.aspx>

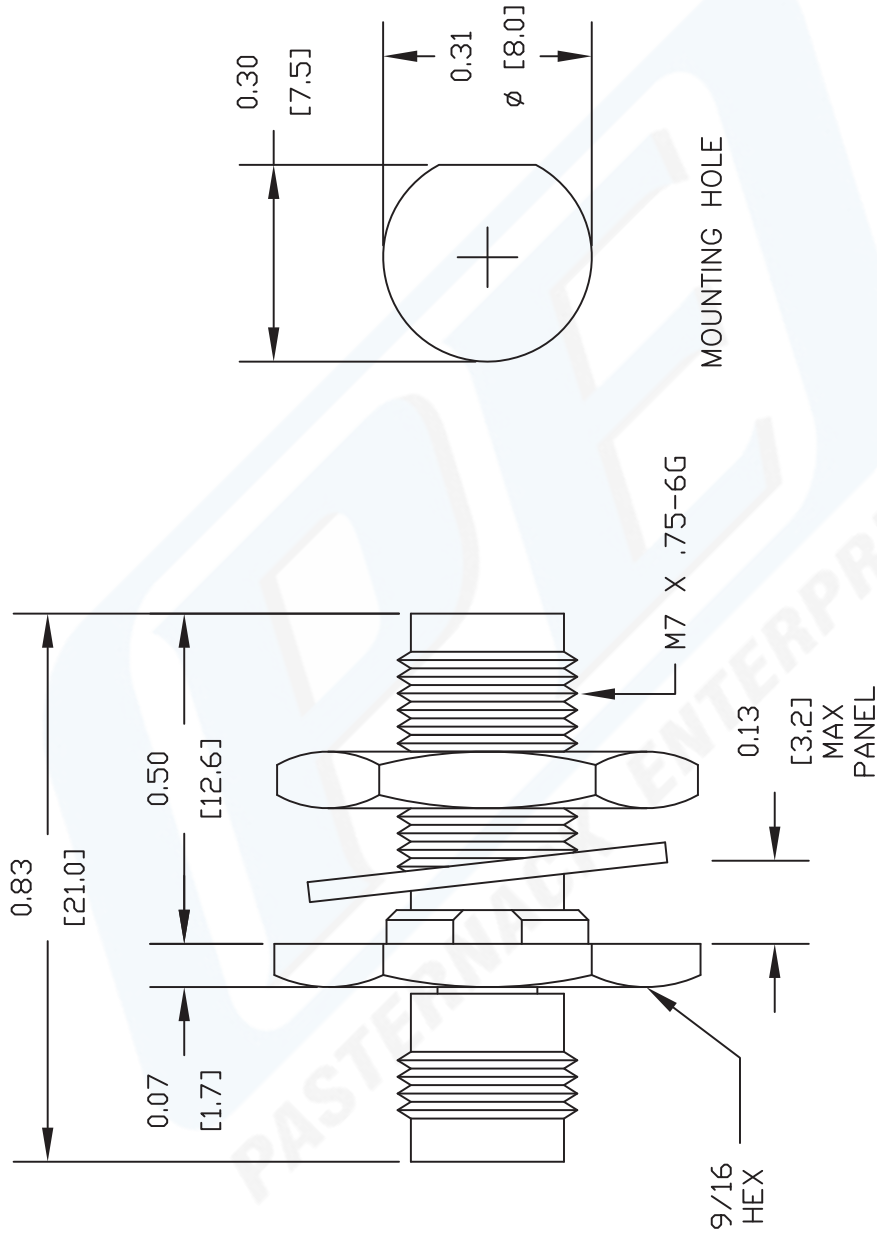
Precision Bulkhead 2.4mm Female to 2.4mm Female Adapter from Pasternack Enterprises has same day shipment for domestic and International orders. Our RF, microwave and fiber optic products maintain a 99% availability and are part of the broadest selection in the industry.

The information contained in this document is accurate to the best of our knowledge and representative of the part described herein. It may be necessary to make modifications to the part and/or the documentation of the part, in order to implement improvements. Pasternack reserves the right to make such changes as required. Unless otherwise stated, all specifications are nominal.



# PE9640 CAD Drawing

Precision Bulkhead 2.4mm Female to 2.4mm Female Adapter



NOTES:  
 1. UNLESS OTHERWISE SPECIFIED ALL DIMENSIONS ARE NOMINAL.  
 2. ALL SPECIFICATIONS ARE SUBJECT TO CHANGE WITHOUT NOTICE AT ANY TIME.  
 3. DIMENSIONS ARE IN INCHES [mm].

DWG TITLE  
**PE9640**

**PASTERNAK ENTERPRISES, INC.**  
 P.O. BOX 16759, IRVINE, CA 92623  
 PHONE (949) 261-1920 FAX (949) 261-7451  
 WEB ADDRESS: [www.pasternack.com](http://www.pasternack.com)  
 E-MAIL ADDRESS: [sales@pasternack.com](mailto:sales@pasternack.com)  
**COAXIAL & FIBER OPTICS**



REV. B	FSCM NO. 53919	CAD FILE 021809	SCALE N/A	SIZE A	127
--------	----------------	-----------------	-----------	--------	-----