


TECHNICAL DATA SHEET
PE6178
50 Ohm 1 Watt Precision 2.4mm Male RF Load Up To 50 GHz

Pasternack Enterprises line of 2.4mm Terminations are available in a 1 Watt version that operates from DC to 50 GHz. Our 2.4mm Terminations are manufactured for durability with Passivated Stainless Steel bodies and Gold Plated BeCu (Beryllium Copper) contacts and are with a Chain or No Chain. Pasternack's Male and Female 2.4mm Terminations will mate with 2.4mm and 1.85mm connectors.

- DC to 50 GHz
- 1W power rating
- Passivated Stainless Steel bodies
- Gold plated BeCu contacts
- Chain and No Chain options

Configuration

Design Type	RF Load
Connector	2.4mm Male
Connection Method	Standard
Connector Design	Precision
Body Style	Straight

Electrical Specifications

Frequency Range (GHz)	DC to 50
Impedance (Ohm)	50
VSWR, Max	1.45:1
Power, Max (Watt)	1

Frequency 1

Frequency (GHz)	DC to 18
VSWR	1.1:1
Power Handling (Watt)	1

Frequency 2

Frequency (GHz)	18 to 40
VSWR	1.3:1
Power Handling (Watt)	1

Frequency 3

Frequency (GHz)	40 to 50
VSWR	1.45:1
Power Handling (Watt)	1

Click the following link (or enter part number in "SEARCH" on website) to obtain additional part information including price, inventory and certifications: [50 Ohm 1 Watts Precision 2.4mm Male RF Load Up To 50 GHz PE6178](#)

The information contained in this document is accurate to the best of our knowledge and representative of the part described herein. It may be necessary to make modifications to the part and/or the documentation of the part, in order to implement improvements. Pasternack reserves the right to make such changes as required. Unless otherwise stated, all specifications are nominal.


TECHNICAL DATA SHEET
PE6178
Mechanical Specifications

Temperature Operating Range (deg C)	-50 to +100
Weight (Lbs)	0.013
Length (in)	0.59
Width/Dia. (in)	0.313
Height (in)	0.313
Dielectric Type	Plastic Bead
Body Material and Plating	Stainless Steel, Gold

Connector

Hex Size (inch)	2.4mm Male 5/16
Torque (In-Lbs)	8
Mating Cycles	500
Inner Conductor Material and Plating	Beryllium Copper, Gold
Outer Conductor Material and Plating	Stainless Steel, Gold
Coupling Nut Material and Plating	Stainless Steel, Gold

Compliance Certifications (visit www.Pasternack.com for current document)

RoHS Compliant	Yes
----------------	-----

Other Data

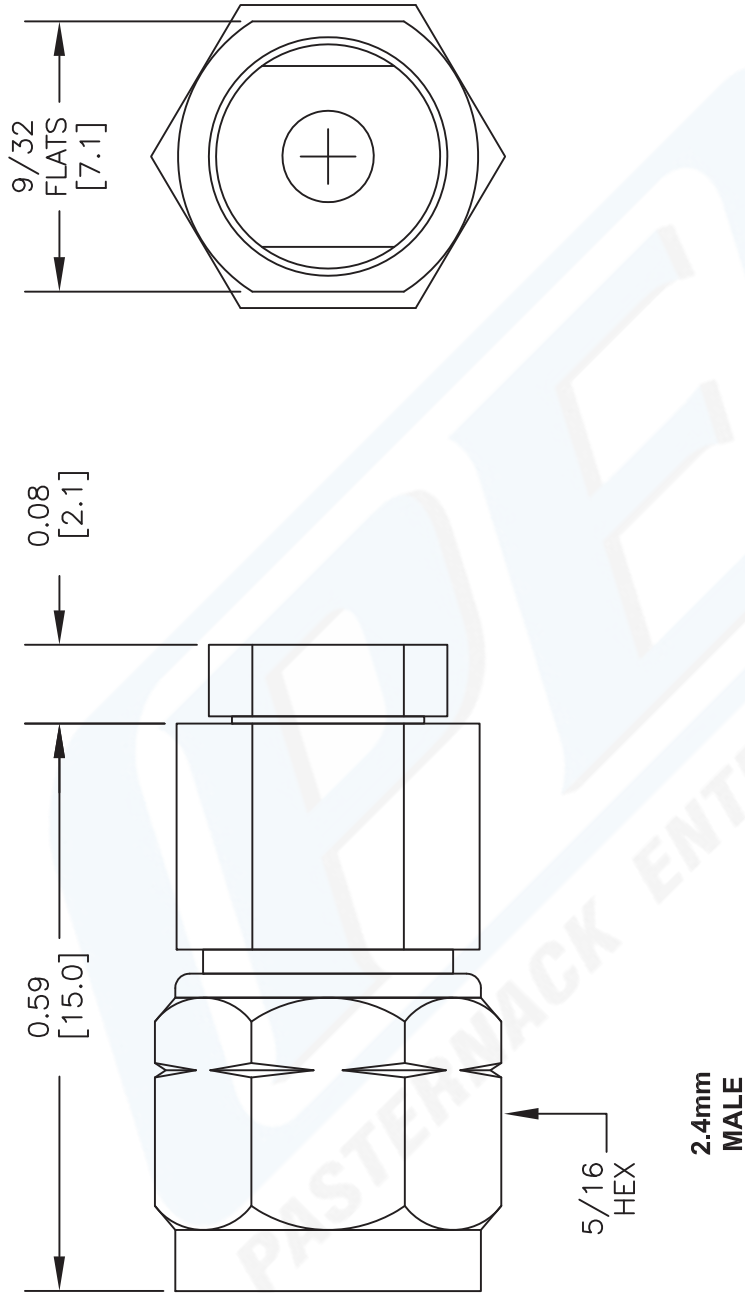
 URL: <http://www.pasternack.com/1-watt-2.4mm-male-rf-load-up-to-50-ghz-precision-pe6178-p.aspx>

50 Ohm 1 Watts Precision 2.4mm Male RF Load Up To 50 GHz from Pasternack Enterprises has same day shipment for domestic and International orders. Our RF, microwave and fiber optic products maintain a 99% availability and are part of the broadest selection in the industry.

The information contained in this document is accurate to the best of our knowledge and representative of the part described herein. It may be necessary to make modifications to the part and/or the documentation of the part, in order to implement improvements. Pasternack reserves the right to make such changes as required. Unless otherwise stated, all specifications are nominal.

PE6178 CAD Drawing

50 Ohm 1 Watts Precision 2.4mm Male RF Load Up To 50 GHz



DWG TITLE

PE6178

NOTES:
 1. UNLESS OTHERWISE SPECIFIED ALL DIMENSIONS ARE NOMINAL.
 2. ALL SPECIFICATIONS ARE SUBJECT TO CHANGE WITHOUT NOTICE AT ANY TIME.
 3. DIMENSIONS ARE IN INCHES [mm].

FSCM NO. 53919

CAD FILE 071712

SCALE N/A

SIZE A

2233



Pasternack Enterprises, Inc.
 P.O. Box 16759 | Irvine | CA | 92623

Phone: (949) 261-1920 | Fax: (949) 261-7451

Website: www.pasternack.com | E-Mail: sales@pasternack.com