

### Feature

- Frequency Jitter for EMI Restriction
- Integrated Soft-Start Function
- Very Low Operating Current and Start-up Current (<math><20\mu\text{A}</math>) for satisfying Energy-Star 2.0 "No-Load Mode" (Stand-by) Power standard
- $\pm 5\%$  Trimmed Oscillator for Precise Frequency
- Non-Audible-Noise Green Mode Control to maintain efficiency for both Light and Heavy Loads
- LEB (Leading-Edge Blanking) on CS Pin
- Internal Slope Compensation
- Cycle-by-Cycle Current Limiting
- Short-Circuit-Protection(SCP) for Short-Circuit and Over-Load Condition
- Over-Voltage-Protection(OVP) on VCC Pin
- Over-Temperature-Protection(OTP) on TS pin for External Thermistor Sensing
- 1~99% PWM Dimming Range
- 8-pin SOP package

### General Description

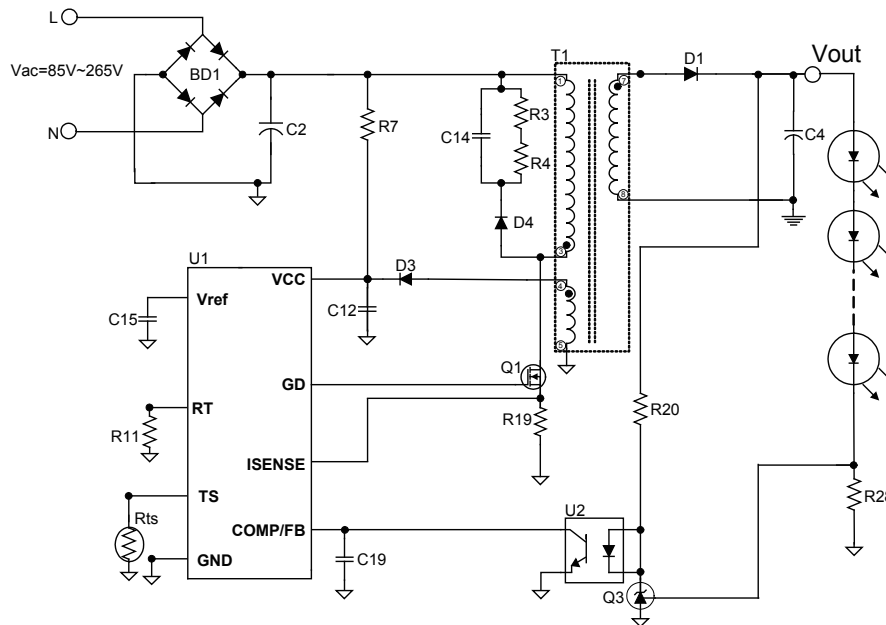
The HT7L2102 is an advanced, highly integrated LED Lighting driver using an AC-DC isolation topology. The device provides many protection functions and uses ultra low power circuit design, and is optimized to restrict EMI. By integrating a Non-Audible Noise Green Mode Control Structure, users can implement a single circuit for different LED load levels for various series/parallel configurations but still maintain high efficiency for different load conditions. This device also integrates various protection functions for LED Lighting requirements such as Cycle-by-Cycle Current Limiting, Short-Circuit Protection (SCP), Over-Voltage Protection (OVP), Over-Temperature Protection (OTP) for external thermistor sensing, and a Soft-Start function to reduce inrush currents during LED power system initialization for the prevention of device burn-out.

The HT7L2102 provides a 1~99% PWM Dimming Range with duty-cycle scale precision lower than 1%.

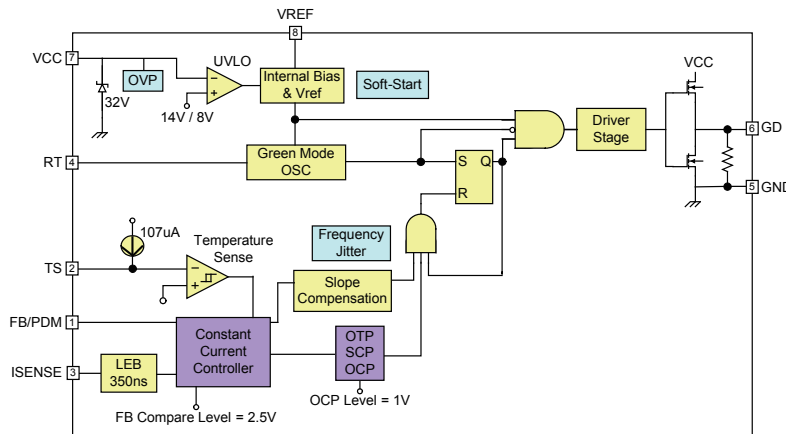
### Applications

- Isolation AC-DC LED Lighting
- AC-DC Switching Power Supply/Adapter

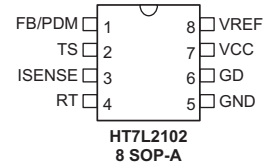
### Application Circuits



## Block Diagram



## Pin Assignment



## Pin Description

Pin No.	Pin Name	Description
1	FB/PDM	Voltage Feedback Pin. Connected to a Photo-Coupler for closed-loop control. This pin also can be used as a PWM Dimming Pin.
2	TS	Temperature Sense Pin. Connected to an external thermistor as a sense system hot point. This pin also can be used for an external System-Latch.
3	ISENSE	A voltage proportional to the inductor current is connected to this input. The Constant Current Controller uses this voltage information to keep the system output current within a narrow range.
4	RT	The oscillator frequency is programmed by connecting a resistor RT between this pin and ground. A maximum frequency of 500KHz is possible.
5	GND	Combined control circuitry and power ground.
6	GD	Power MOSFET gate driver output.
7	VCC	Positive Supply.
8	VREF	A Temperature-Independent Voltage Reference output.

## Absolute Maximum Ratings

Supply Voltage VCC	-0.3V~30.0V
FB/PDM, RT, ISENSE, TS Pins	-0.3V~5.5V
Junction Temperature	150°C
Operating Ambient Temperature	-40°C~85°C
Storage Temperature Range	-65°C~150°C
Package Thermal Resistance (8-Pin SOP)	160°C/W

### ESD Protection:

Human Body Model	3kV
Machine Model	200V

Note: These are stress ratings only. Stresses exceeding the range specified under “Absolute Maximum Ratings” may cause substantial damage to the device. Functional operation of this device at other conditions beyond those listed in the specification is not implied and prolonged exposure to extreme conditions may affect device reliability.

## Electrical Characteristics

Unless otherwise stated, this specifications apply for  $0^{\circ}\text{C} \leq T_a \leq 70^{\circ}\text{C}$ ,  $V_{CC}=15\text{V}$ ,  $RT=10\text{k}\Omega$

Symbol	Parameter	Test Condition	Min.	Typ.	Max.	Unit
<b>Supply Voltage (VCC Pin)</b>						
$I_{ST}$	Startup Current	$V_{CC}=12.9\text{V}$	—	12	30	$\mu\text{A}$
$I_{CC}$	Operating Current	$V_{FB/PDM}=0\text{V}$	—	2.0	3.0	$\text{mA}$
		$V_{FB/PDM}=3\text{V}$	—	2.5	—	$\text{mA}$
$V_{TL}$	UVLO (Off)	—	7	8	9	$\text{V}$
$V_{TH}$	UVLO (On)	—	13	14	15	$\text{V}$
$V_{CC}$	OVP Trip Level	$V_{CC}(\text{Over Voltage Protection})$	26.5	28.0	29.5	$\text{V}$
$V_{D-OVP}$	OVP Strobe Time	—	—	100	—	$\mu\text{s}$
<b>Reference Section (VREF Pin)</b>						
$V_{REF}$	Output Voltage	$T_j=25^{\circ}\text{C}$ , $I_o=1\text{mA}$	—	5.5	—	$\text{V}$
$\Delta V_{REF}$	Line Regulation	$12\text{V} \leq V_{CC} \leq 25\text{V}$	—	3	20	$\text{mV}$
$\Delta V_{REF}$	Load Regulation	$1\text{mA} \leq I_o \leq 10\text{mA}$	—	4	25	$\text{mV}$
<b>Current Sensing (ISE NSE Pin)</b>						
$V_{IS(OFF)}$	Maximum Input Voltage, $V_{cs}(\text{off})$	—	0.9	1.0	1.1	$\text{V}$
$t_{LEB}$	Leading Edge Blanking Time	—	—	350	—	$\text{ns}$
	Delay to Output	—	—	100	—	$\text{ns}$
<b>Oscillator (RT pin)</b>						
$f_{OSC}$	Oscillator Frequency	$T_j=25^{\circ}\text{C}$ , $RT=10\text{k}\Omega$ to GND	49	52	55	$\text{kHz}$
$\frac{\Delta f_{OSC}}{\Delta T_A}$	Temperature Stability	$-40^{\circ}\text{C} \sim 105^{\circ}\text{C}$	—	5	—	$\%$
$\frac{\Delta f_{OSC}}{\Delta V_{REF}}$	Voltage Stability	$V_{CC}=10\text{V} \sim 25\text{V}$	—	0.2	1.0	$\%/V$
$D_{MAX}$	Maximum Duty	—	—	75	—	$\%$
	Frequency Jitter	—	—	$\pm 4$	—	$\%$
<b>Gate Drive Output (GD Pin)</b>						
$V_{OL}$	Output Low Level	$V_{CC}=15\text{V}$ , $I_{sink}=20\text{mA}$	—	—	1	$\text{V}$
$V_{OH}$	Output High Level	$V_{CC}=15\text{V}$ , $I_{source}=20\text{mA}$	9	—	—	$\text{V}$
$t_r$	Rising Time	$T_j=25^{\circ}\text{C}$ , Load Capacitance=1nF	—	50	150	$\text{ns}$
$t_f$	Falling Time	$T_j=25^{\circ}\text{C}$ , Load Capacitance=1nF	—	50	150	$\text{ns}$
<b>Voltage Feedback (FB/PDM Pin)</b>						
$I_{SINK}$	Short Circuit Current	$V_{FB/PDM}=0\text{V}$	—	1.5	2.2	$\text{mA}$
$V_{FB/PDM}$	Open Loop Voltage	FB/PDM pin open	—	5.5	—	$\text{V}$
<b>SCP (Short Circuit Protection)</b>						
$V_{FB/PDM}$	SCP Trip Level	$V_{FB/PDM}(\text{SCP})$	—	4.7	—	$\text{V}$
	SCP Delay Time (See Note)	$f_s=52\text{kHz}$	—	75	—	$\text{ms}$
<b>Soft-Start</b>						
$t_{START}$	Soft-Start Time	$RT=10\text{k}\Omega$	—	10	—	$\text{ms}$
<b>External OTP(Over Temperature Protection, TS Pin)</b>						
$V_{OTP-On}$	OTP Enable Trigger Level		0.95	1.00	1.05	$\text{V}$
$V_{OTP-Reset}$	OTP Disable Trigger Level		—	1.2	—	$\text{V}$
$I_{TS}$	Pull up Current Source		96	107	118	$\mu\text{A}$

Note: These Parameters, although guaranteed, are not 100% tested in production.

## Typical Performance Characteristics

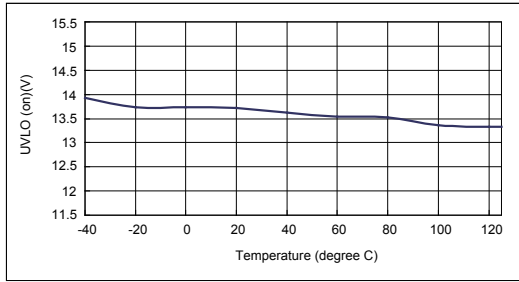


Figure 1. UVLO (on) (V) vs. Temperature

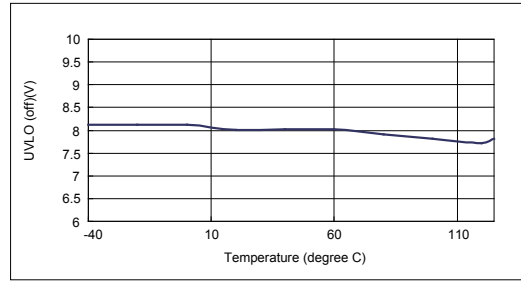


Figure 2. UVLO (off) (V) vs. Temperature

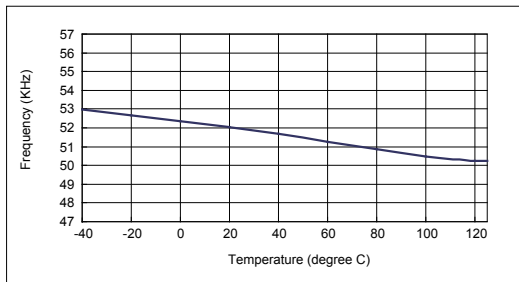


Figure 3. Frequency vs. Temperature

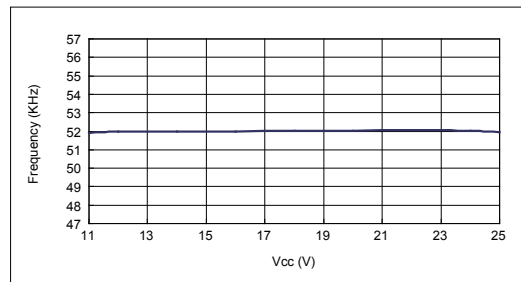


Figure 4. Frequency vs.  $V_{CC}$

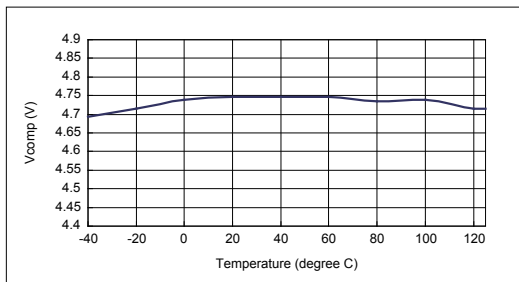


Figure 5.  $V_{FB/PDM}$  for SCP vs. Temperature

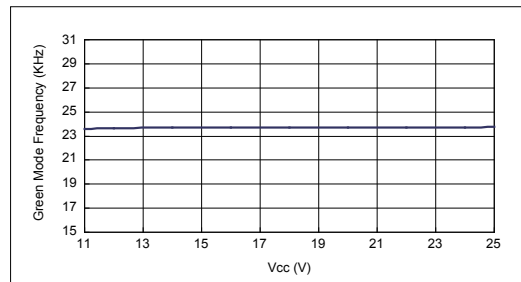


Figure 6. Green Mode Frequency vs.  $V_{CC}$

## Application Information

### Operation Overview

The HT7L2102 is a highly functionally integrated PWM controller for LED lighting and is optimized to restrict EMI. The device offer a dimming precision of less than 1% and has a dimming range of 1% to 99%. Its integrated features include Green mode (Non-Acoustic-Noise), internal slope compensation, high efficiency under different load conditions within a wide operating temperature range of -40°C to 85°C. The devices also includes a range of protection functions, SCP, OVP, UVLO, current limit, LEB, soft start, OTP for external thermistor sensing. These features not only enhance system performance, but also ensure high stability of the whole circuit application even under extreme environmental conditions such as high temperature or high EMI levels.

### Advanced Precision Oscillator for Green-Mode Switching and Non-Acoustic Noise Requirement

A Trimmed Precision Green Mode Oscillator is implemented in the device to enhance the conversion efficiency under light load conditions. As Fig. 7 shows, the efficiency difference between light loads and heavy loads is less than 1%, while the average efficiency is only 89.5%, the peak efficiency is 90%.

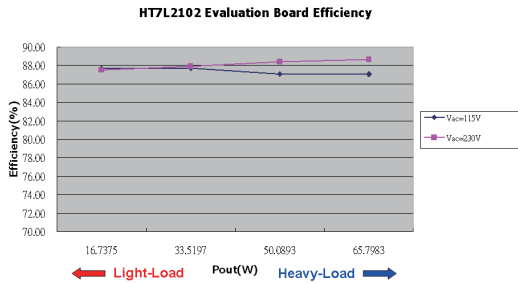


Figure 7 HT7L2102 Efficiency Performance between Light-Load and Heavy-Load

The Green Mode Oscillator types supplied by other PWM Controller providers are plagued by Acoustic-Noise problems. This is because, under light load conditions, the frequency will keep decreasing through the Human Acoustic Range (from 20Hz to 20kHz), and these audio frequencies may create audible noise in the transformer. Holtek's HT7L2102 patented Green Mode Oscillator designed using an advanced Non-Acoustic Noise structure prevents the generation of frequencies in the audio frequency band, thus eliminating any transformer noise.

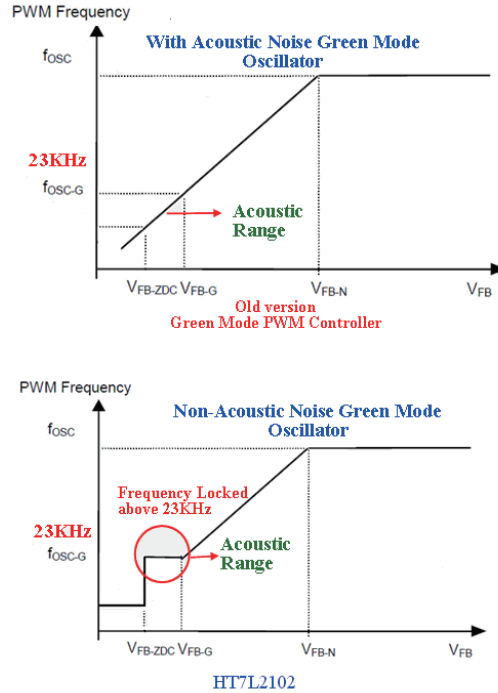


Figure 8. Oscillator Behavior Compared with HT7L2102 and Other Green Mode PWM Controller

### Frequency Jitter for EMI Restriction

EMI restriction is accomplished using a Frequency Jitter function, which spreads the energy over a wider frequency range than the bandwidth measured by the EMI test equipment. An internal Frequency Jitter circuit changes the switching frequency between +4% and -4% of the central frequency with a period of 4ms.

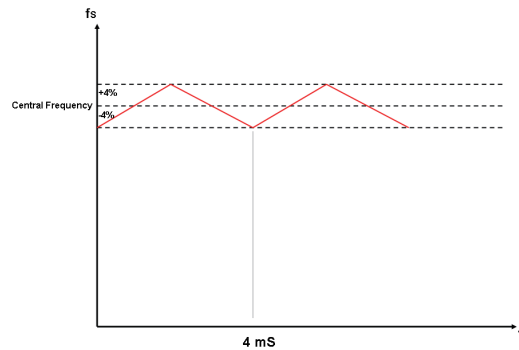


Figure 9 Frequency Jitter Function Spreads Energy Over a Period to Accomplish EMI Restraining

### Under Voltage Lockout (UVLO)

An UVLO comparator is implemented in to ensure that the device is fully functional before the output stage is enabled. As shown in Fig. 10, hysteresis is provided to prevent the PWM Controller from shutting down during any voltage dips which might occur during startup. The turn-on and turn-off threshold levels are set at 16.0V and 10.0V, respectively.

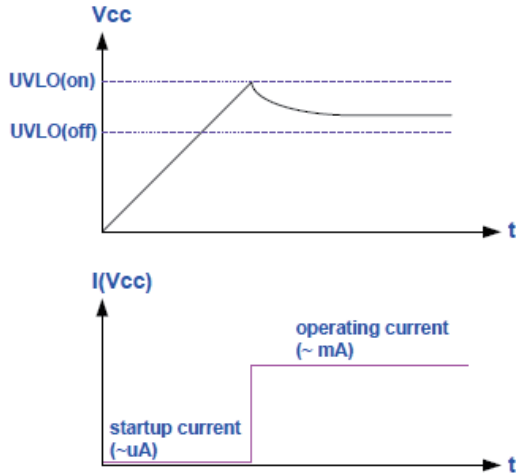


Figure 10. UVLO Scheme and Start-Up Current

### Current Sense and Leading-Edge Blanking (LEB)

A Leading-Edge Blanking Scheme is integrated in the device to prevent false triggering due to feedback current spikes which may appear on the CS pin, further eliminating the need for an R-C filter which is always a requirement in traditional current mode PWM Controller applications.

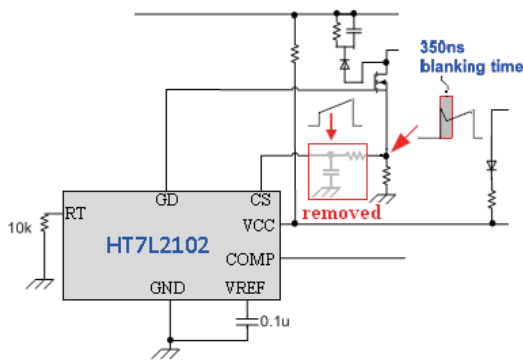


Figure 11. LEB with R-C Filter Removed

### Internal Slope-Compensation

An important issue with current mode control structures is instability due to Sub-Harmonic Oscillation when the Duty-Cycle > 50%. To prevent this problem from occurring, a Slope-Compensation function is always necessary. In traditional currentmode PWM Controller application, many external components are necessary to implement a Slope-Compensation function. However in the HT7L2102, the internal Slope-Compensation eliminates the need for these external components resulting in a simplified the application circuit design.

### Short-Circuit Protection (SCP) and Over-Load Protection (OLP)

To protect all the devices in a system from being damaged due to over load or short circuit conditions, a smart SCP function is implemented in the device. Here the feedback system will force the voltage loop to move toward a saturation value and then pull up the voltage on the COMP pin. Whenever the VCOMP increases to the SCP threshold of 4.7V and remains there for longer than 40mS, the protection scheme will activate and then turn off the gate output to stop the power circuit switching. By using such a protection mechanism, the average input power can be reduced to a very low level so that component temperature and stress can be controlled within safe operating levels.

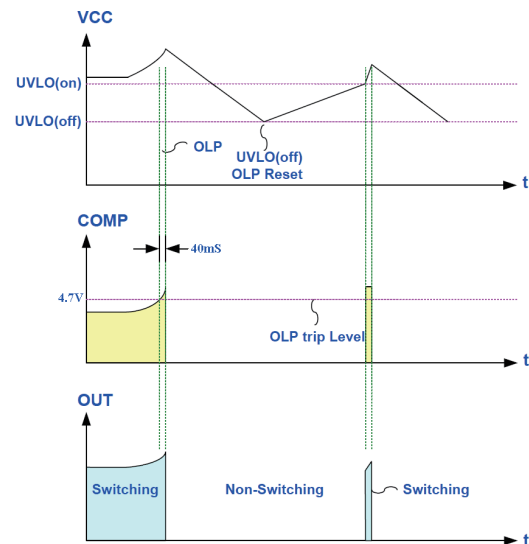


Figure 12. SCP Function Behavior

**VCC Pin Over-Voltage Protection (OVP)**

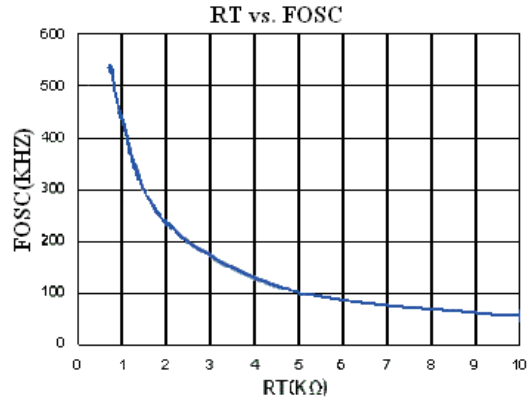
VCC Over-Voltage Protection is integrated in the device to prevent component damage due to over voltage conditions on the VCC pin. The OVP is triggered when VCC reaches 28V and lasts for 100uS. The PWM pulses are disabled when OVP is enabled.

**TS Pin Over-Temperature Protection (OTP)**

An Over-Temperature Protection (OTP) function is integrated in the device. This function with external thermistor sensing will disable the PWM controller at 1V and supports high a temperature alert and prevents damage occurring in the application circuit.

**Oscillator Frequency Tuning**

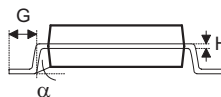
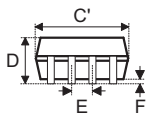
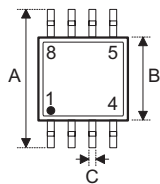
By choosing an appropriate value of an external resistor between the RT Pin and GND, a suitable operating frequency can be generated. The relationship between the value of RT and the operating frequency is provided in Figure 13.



**Figure 13. RT Resistor value vs. Operating Frequency**

Package Information

8-pin SOP (150mil) Outline Dimensions



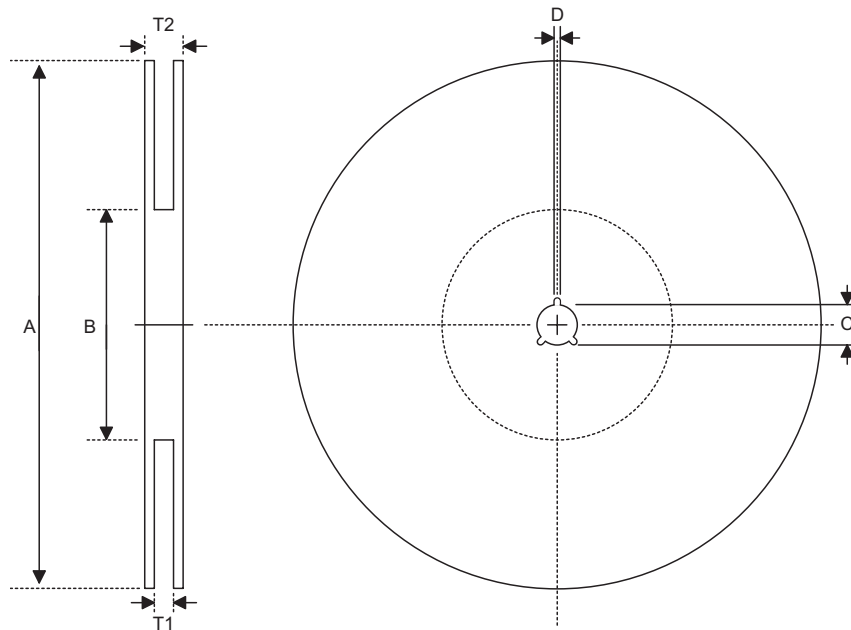
MS-012

Symbol	Dimensions in inch		
	Min.	Nom.	Max.
A	0.228	—	0.244
B	0.150	—	0.157
C	0.012	—	0.020
C'	0.188	—	0.197
D	—	—	0.069
E	—	0.050	—
F	0.004	—	0.010
G	0.016	—	0.050
H	0.007	—	0.010
$\alpha$	0°	—	8°

Symbol	Dimensions in mm		
	Min.	Nom.	Max.
A	5.79	—	6.20
B	3.81	—	3.99
C	0.30	—	0.51
C'	4.78	—	5.00
D	—	—	1.75
E	—	1.27	—
F	0.10	—	0.25
G	0.41	—	1.27
H	0.18	—	0.25
$\alpha$	0°	—	8°

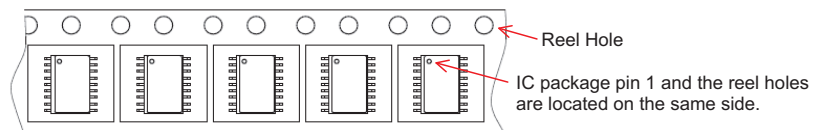
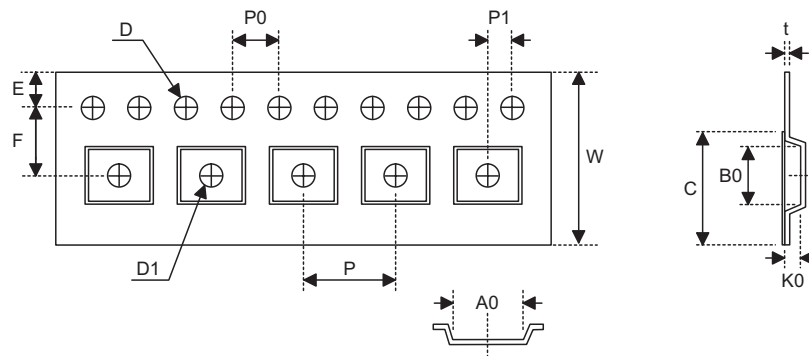


Reel Dimensions



SOP 8N (150mil)

Symbol	Description	Dimensions in mm
A	Reel Outer Diameter	330.0±1.0
B	Reel Inner Diameter	100.0±1.5
C	Spindle Hole Diameter	13.0 <sup>+0.5/-0.2</sup>
D	Key Slit Width	2.0±0.5
T1	Space Between Flange	12.8 <sup>+0.3/-0.2</sup>
T2	Reel Thickness	18.2±0.2

**Carrier Tape Dimensions**

**SOP 8N (150mil)**

Symbol	Description	Dimensions in mm
W	Carrier Tape Width	12.0 <sup>+0.3/-0.1</sup>
P	Cavity Pitch	8.0±0.1
E	Perforation Position	1.75±0.10
F	Cavity to Perforation (Width Direction)	5.5±0.1
D	Perforation Diameter	1.55±0.1
D1	Cavity Hole Diameter	1.50 <sup>+0.25/-0.00</sup>
P0	Perforation Pitch	4.0±0.1
P1	Cavity to Perforation (Length Direction)	2.0±0.1
A0	Cavity Length	6.4±0.1
B0	Cavity Width	5.2±0.1
K0	Cavity Depth	2.1±0.1
t	Carrier Tape Thickness	0.30±0.05
C	Cover Tape Width	9.3±0.1

**Holtek Semiconductor Inc. (Headquarters)**

No.3, Creation Rd. II, Science Park, Hsinchu, Taiwan  
Tel: 886-3-563-1999  
Fax: 886-3-563-1189  
<http://www.holtek.com.tw>

**Holtek Semiconductor Inc. (Taipei Sales Office)**

4F-2, No. 3-2, YuanQu St., Nankang Software Park, Taipei 115, Taiwan  
Tel: 886-2-2655-7070  
Fax: 886-2-2655-7373  
Fax: 886-2-2655-7383 (International sales hotline)

**Holtek Semiconductor Inc. (Shenzhen Sales Office)**

5F, Unit A, Productivity Building, No.5 Gaoxin M 2nd Road, Nanshan District, Shenzhen, China 518057  
Tel: 86-755-8616-9908, 86-755-8616-9308  
Fax: 86-755-8616-9722

**Holtek Semiconductor (USA), Inc. (North America Sales Office)**

46729 Fremont Blvd., Fremont, CA 94538, USA  
Tel: 1-510-252-9880  
Fax: 1-510-252-9885  
<http://www.holtek.com>

Copyright© 2011 by HOLTEK SEMICONDUCTOR INC.

The information appearing in this Data Sheet is believed to be accurate at the time of publication. However, Holtek assumes no responsibility arising from the use of the specifications described. The applications mentioned herein are used solely for the purpose of illustration and Holtek makes no warranty or representation that such applications will be suitable without further modification, nor recommends the use of its products for application that may present a risk to human life due to malfunction or otherwise. Holtek's products are not authorized for use as critical components in life support devices or systems. Holtek reserves the right to alter its products without prior notification. For the most up-to-date information, please visit our web site at <http://www.holtek.com.tw>.