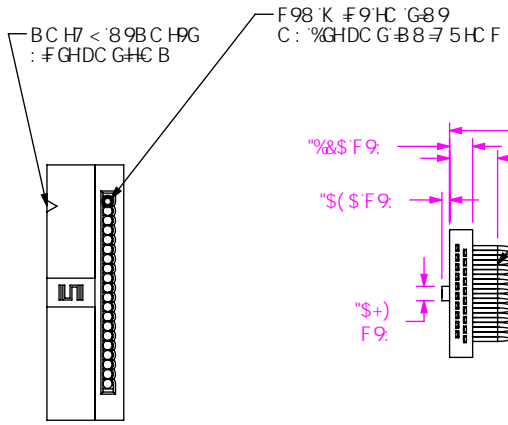


% " F9DF9G9BHG5 7F#7 5@8-A 9BGC B"
 &" 5@5GG9A 6@9GHC 69%\$S1 9@77 FCB=7 5@MH9GH98
 ...: CF G<C FHG5B8 C D9BG
 " 5@5GG9A 6@9GHC 69%\$S1 <=DC HH9GH98 5H" SJ"
 (" HC 69A 95G F98 : FCA G7 CF9@B9"
)" D5FHGHC 69@M9F D57?5: 98"
 **G=85H5 5J5 @6@: CF GH5B85F8 @B; H:GCB@M
 +" A 5L 756@9@B; H: 5J5 @6@K #KCIH: @H
 " F=6CB@98 G97 HC B G% "%B7 <9G 7 CBIH57H
 ...G5A H97 : CF BI A 69F C : : @HG97 HC BG@ @CB; 9F
 ...@B; H: GF9E1 F98"

TABLE 1	
PIN No.	COLOR
1	RED
2	WHITE
3	BLUE
4	WHITE
5	BLUE
6	WHITE
7	BLUE
8	WHITE
9	BLUE
10	WHITE
REPEAT	

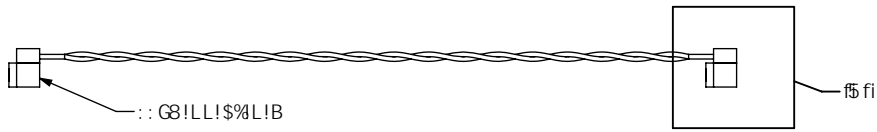
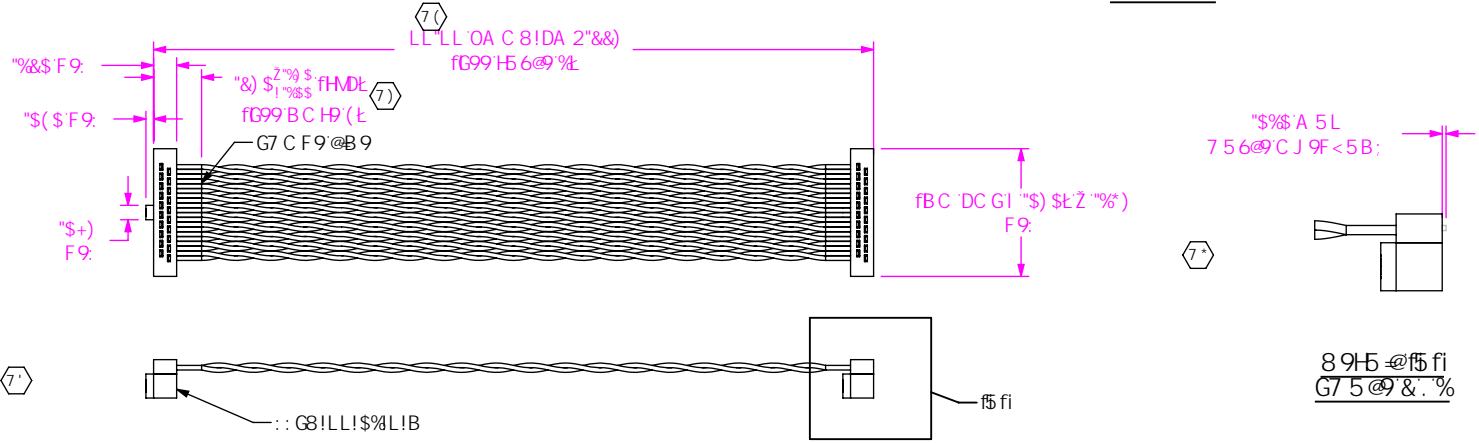
!8: 8C1 6@9B8
 : = "%
 :: HD!%\$!8! " ,)!%\$%L!B

:: HD!LL!L!LL "LL!\$%L!B!LL
 Bc C: DC GHC BG
 !&H!K! !&)
 9B8 5GG9A 6@M
 !8: 8C1 6@9B8 fG99: = G% &L
 5GG9A 6@M@B; H:
 CB@M5J5 @6@B H: 9C9@B; H:G
 !" ,) "fl G9 7 6HD! , !' \$!+# , !\$&!&L
 !' , "+ "fl G9 7 6HD! , !' \$!+# , !\$&!&L
 ...!% "\$S" fl G9 7 6HD! , !' \$!+# , !\$&!&L"
 C DHC B
 !F: F9J 9F G98 7 C BB97 HC F
 fG99: = " &L
 G-H5B85F8 DC @F@5HC B BC H7 <
 D@5HB: C DHC BG
 !@95J 96@5B?: CF GH5B85F8Z! G9
 7!*+!@
 !G: ! G9 7!*+!G
 !: ! G9 7!*+!
 @958 GHM@

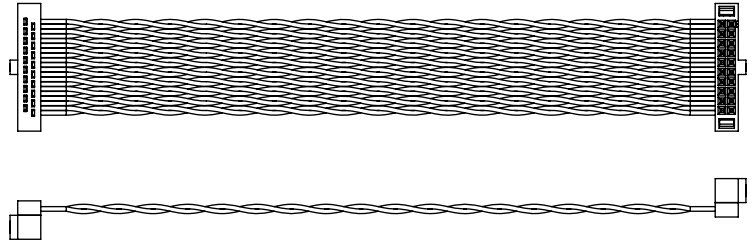
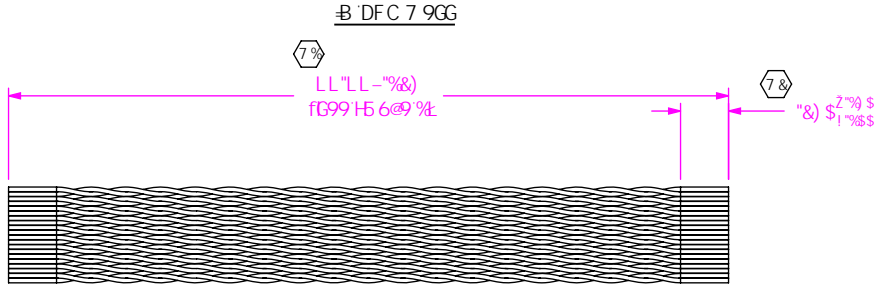


8C BCH
 G7 5@9: FCA
 H: GDF-BH

G7 5@9 & %



!F:
 : = " &
 F9J 9FG98 7 C BB97 HC F
 :: HD!%\$!8! "LL!\$%L!B!F
 fG5A 95G: = "%9L7 9DH5GG<C K B L



I B @GG C H: 9FK @9 (D97 = 98Z
 8-A 9BGC BG 5F9-B B7 < 9G"
 HC @9F5B7 9G 5F9.
 897 A 5@G 5B: @9G
 "LL: "\$%O O" &
 "LLL: "\$S) O% O
 "LLLL: "\$S&S O\$) %O

DFC DF 9H5 FMBC H9
 H: G8C 71A 9B H7 C B16 B G B: CFA 5HC B
 7 C B: 89B H5 @5B8 DFC DF @95 FMC
 G5A H97 Z B7 " 5B8 G: 5@B C H69 F9DF C B1 7 98
 C F H5 B G 9 F98 HC C H: 9F BC 71A 9B H G C F
 B 47 @C 98 HC C H: 9F G C F 1 98B : C F 5 B M
 D! FDC @9 C H: 9F H: 5B H: 5HK < 7 < 4K 5G
 C 6H5 898 K #K C1 H H: 9L DF 9G98 K F #H8
 7 C B @98 HC : G5A H97 Z B7 "



A 5H@5@ 8C BCH G7 5@9 8F5K B: G: 99HG7 5@9 %%
 #G @HC F: 7 9@5B9L " "% (Z7 C @C F: 6@57?
 7 C B16 7 HC F H9FA B5 @D < C G6 FCB N9
 756@9: H: G98 D5 F

89G7 F@HC B.
 "\$) \$ L "\$) \$ 7 #@HK G98 D5 F: 9A 5@9 B7 5GG9A 6@M
 8K: "BC"
 :: HD!LL!L!LL "LL!\$%L!B!LL
 6M @9BBM? ' #/% #S+ G< 99H% C: %