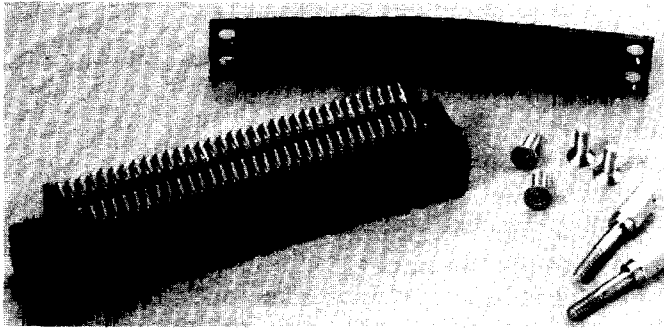


.040" (1.20mm) 520 Series Surface Mate 130 Position Dual Row Compression Connector



PART NUMBER CODING 520-4X-XXXSM-XX-XX(X)

FINISH

- 105 = SEL 50 Au OVER 50/75 Ni
- 103 = SEL 30 Au OVER 50/75 Ni
- 41 = 200 BRIGHT Sn OVER 50/75 Ni

CONNECTOR STYLES

- 01 = .476 HIGH BASEBOARD
- 02 = .738 HIGH BASEBOARD
- 03 = .738 HIGH STACKING

CONTACT QUANTITY

- 060 = 30 POS/60 CONTACTS
- 084 = 42 POS/84 CONTACTS
- 100 = 50 POS/100 CONTACTS
- 130 = 65 POS/130 CONTACTS

KIT OPTIONS

- 0 = CONNECTOR ONLY (NO KIT)
- 1 = KIT (CONNECTOR WITH HARDWARE)*

*AVAILABLE IN 130 SM STYLES ONLY.
CONSULT FACTORY FOR ADDITIONAL SIZES

Kit Information

Methode's 520 series Surface Mate connectors can be ordered individually or with available hardware in kits by using the part number description provided. The hardware available in these kits can be ordered separately. The table below provides the components supplied in these kits, as well as additional hardware.

Part Number	QTY	KIT HARDWARE
520-41-130SM-01-XXX	1	.476 HIGH BASEBOARD CONNECTOR
	8	# 4-40 FLAT HEAD PHILLIPS SCREWS
	2	BOARD STIFFENERS
520-41-130SM-02-XXX	1	.738 HIGH BASEBOARD CONNECTOR
	8	# 4-40 FLAT HEAD PHILLIPS SCREWS
	2	BOARD STIFFENERS
520-41-130SM-03-XXX	1	.738 HIGH STACKING CONNECTOR
	4	JACKSCREWS
		ADDITIONAL HARDWARE
127-1010-14		# 4-40 FLAT HEAD PHILLIPS SCREWS FOR BOTH .476 AND .738 BASEBOARD CONNECTORS (ORDER SEPARATELY)
117-1051-413		# 4-40 MALE/FEMALE JACKSCREWS FOR .738 HIGH STACKING CONNECTOR (ORDER SEPARATELY)
119-1165-PC		BOARD STIFFENER FOR 130SM STYLE CONNECTORS (ORDER SEPARATELY)

Methode's dual row .040" center Surface Mate connector provides the solderless interface for the Intel "MIX" bus module. The two standard baseboard connector heights and the stacking connector are designed for stacking VME bus and Multibus II boards.

Specifications

Materials

- Contact Material:** Beryllium copper
- Contact Plating:** See part number description
- Insulator Material:** 40% glass filled PPS, 94V-0 rated
- Insert Material:** Stainless steel, passivated
- Operating Temperature:** -55° to +85°C

Mechanical Performance

- Durability:** 500 cycles of engagement/disengagement
- Vibration:** Random mechanical vibration of 10 minutes in three axes, 0.01G²/Hz, from 3 to 500 Hz
- Shock:** MIL-STD-202, method 213, test condition A for 11 ms, half-sine wave
- Normal Force:** 160 grams, average

Electrical Performance

- Current Rating:** 1 amp max per contact
- Operating Temperature:** 0°C to +85°C
- Storage Temperature:** -55°C to +125°C
- Contact Resistance:** 10 milliohms max
- Insulation Resistance:** 1000 megohms at 100 VDC
- Dielectric Withstanding Voltage:** 1200 V RMS at 60 Hz for 60 seconds
- Working Voltage:** 250 V RMS at sea level
- Environmental Performance**
- Thermal Shock:** Five cycles from -55°C to +125°C, 30 minutes at each extreme
- Moisture Resistance:** 10 days per MIL-STD-202, method 106
- Corrosion Resistance:** Salt spray test per MIL-STD-202F, method 101, test condition B
- High Temperature Life:** MIL-STD-202, method 108 at +85°C for 1000 hours

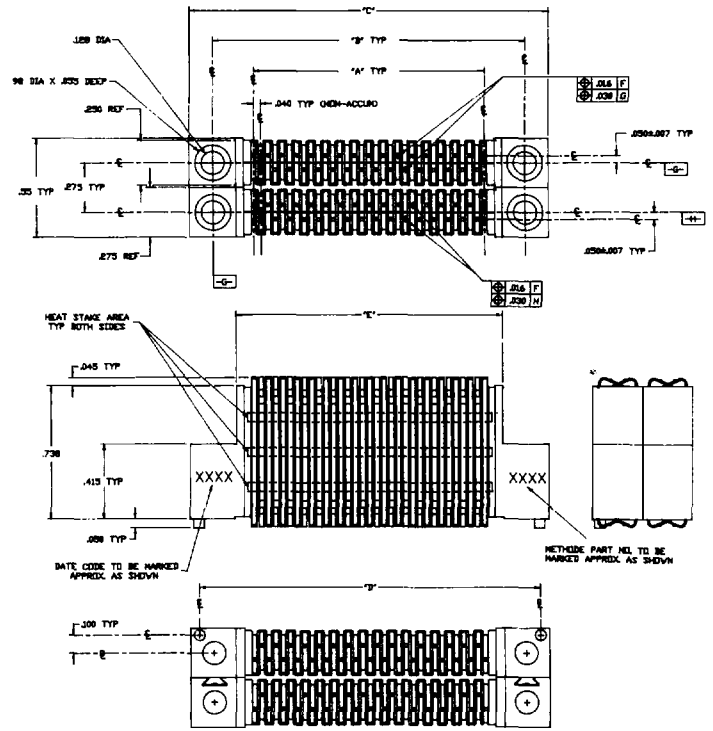
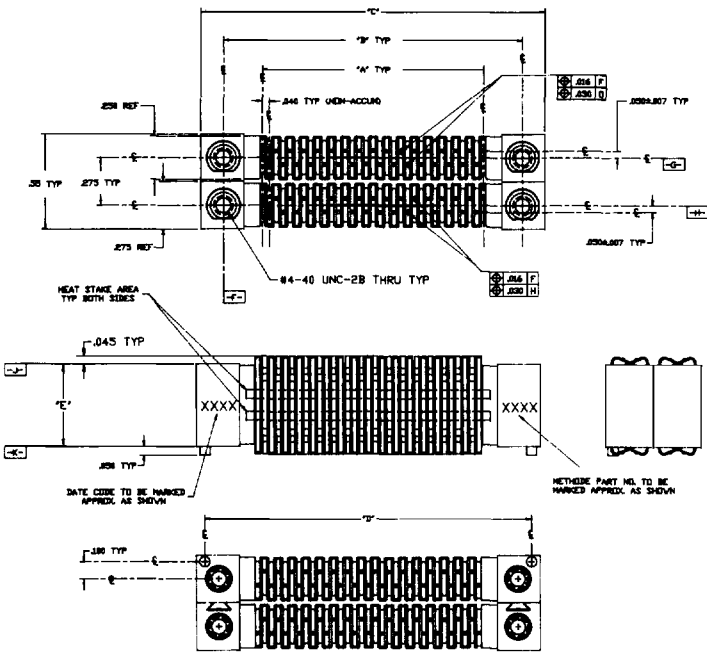


Connector Division

7447 West Wilson Avenue ■ Chicago, IL 60656
708/867-9600 ■ 800/323-6858 ■ FAX: 708/867-0435

Baseboard Connector

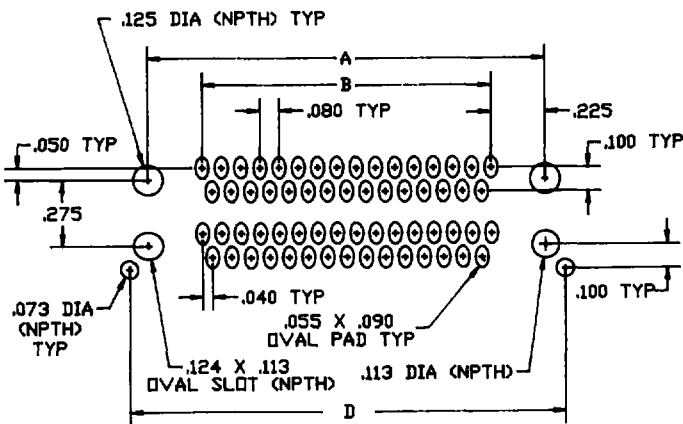
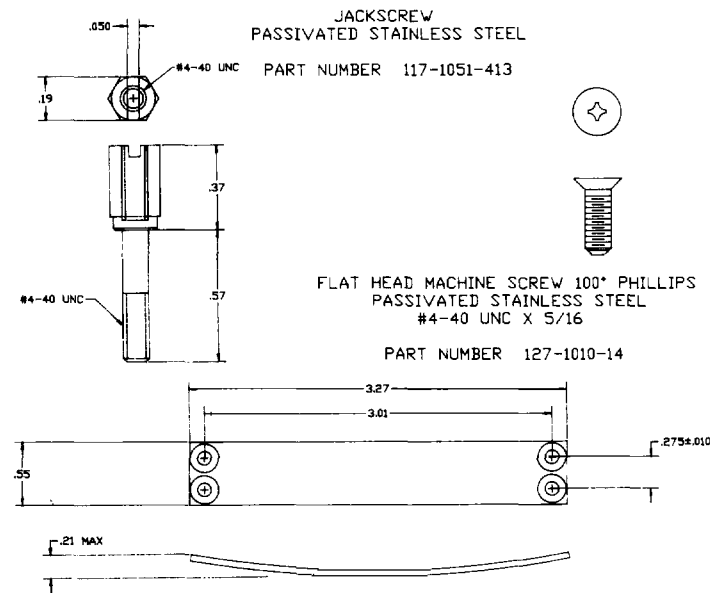
Stacking Connector



Part Number	A	B	C	D	E
520-4X-060SM-01-XX	1.160	1.610	1.870	1.770	.476
520-4X-084SM-01-XX	1.640	2.090	2.350	2.250	.476
520-4X-100SM-01-XX	1.960	2.410	2.670	2.570	.476
520-4X-130SM-01-XX	2.560	3.010	3.270	3.170	.476
520-4X-060SM-02-XX	1.160	1.610	1.870	1.770	.738
520-4X-084SM-02-XX	1.640	2.090	2.350	2.250	.738
520-4X-100SM-02-XX	1.960	2.410	2.670	2.570	.738
520-4X-130SM-02-XX	2.560	3.010	3.270	3.170	.738

Part Number	A	B	C	D	E
520-4X-060SM-03-XX	1.160	1.610	1.870	1.770	1.356
520-4X-084SM-03-XX	1.640	2.090	2.350	2.250	1.836
520-4X-100SM-03-XX	1.960	2.410	2.670	2.570	2.156
520-4X-130SM-03-XX	2.560	3.010	3.270	3.170	2.756

Connector Hardware



RECOMMENDED PAD LAYOUT

BOARD STIFFNER
BLACK EPOXY POWDER COATED SPRING STEEL
PART NUMBER 119-1165-PC
AVAILABLE IN 520-4X-130SM-XX-XXX STYLE ONLY