

The Popular Choice for 2A Power Rail Down Conversions

The XRP7664 is a synchronous current mode PWM step down (buck) regulator capable of a constant output current up to 2Amps. A wide 4.75V to 18V input voltage range allows for single supply operations from industry standard 5V and 12V power rails.

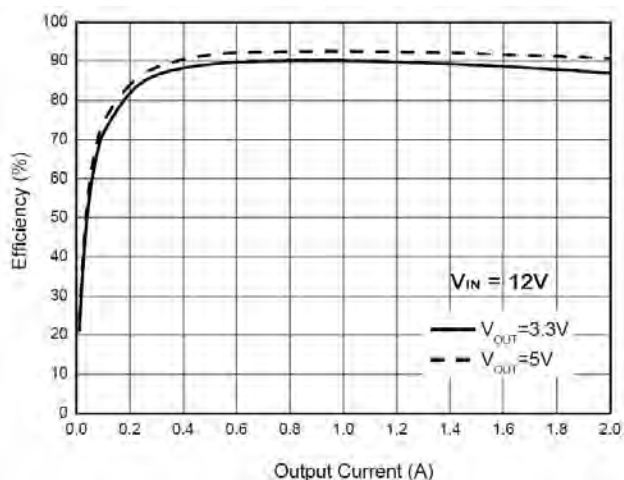
With a 340kHz constant operating frequency and integrated high and low side 120mΩ/110mΩ MOSFETs, the XRP7664 reduces the overall component count and solution footprint. Current-mode control provides fast transient response and cycle-by-cycle current limit. An adjustable soft-start prevents inrush current at turn-on, and in shutdown mode the supply current drops to 0.1uA.

Built-in output over voltage (open load), over temperature, cycle-by-cycle over current and under voltage lockout (UVLO) protections insure safe operations under abnormal operating conditions.

The XRP7664 is offered in a RoHS compliant, “green”/halogen free 8-pin SOIC package.

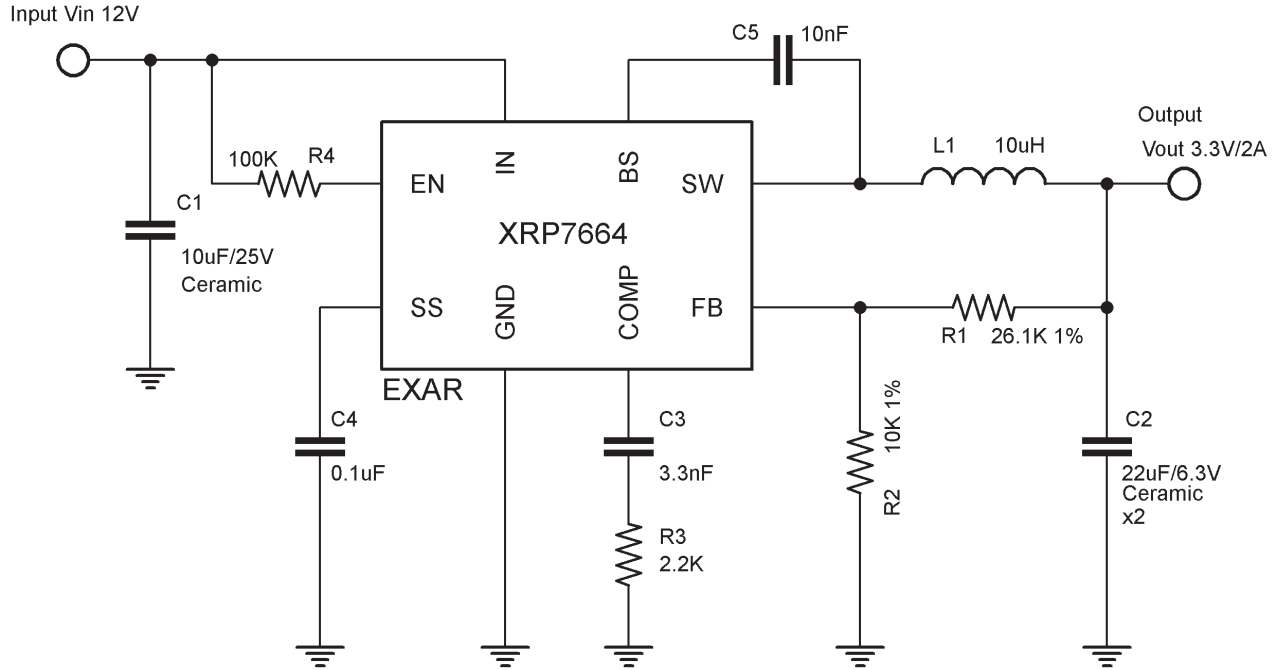
MAJOR FEATURES

- Pin/Function Compatible to MP1482
- 2A Continuous Output Current
- 4.75V to 18V Wide Input Voltage
- PWM Current Mode Control
 - 340kHz Constant Operations
 - Up to 93% Efficiency
- Adjustable Output Voltage
 - 0.925V to 16V Range
 - 3% Accuracy
- Programmable Soft-Start and Enable Function
- Built-in Thermal, Over Current, UVLO and Output Over Voltage Protections
- RoHS Compliant, “Green”/ Halogen Free 8-Pin SOIC Package



The Popular Choice for 2A Power Rail Down Conversions

APPLICATION DIAGRAM



TYPICAL APPLICATIONS

- Distributed Power Architectures
- Point of Load Converters
- Audio-Video Equipments
- Medical & Industrial Equipments

ORDERING INFORMATION

Part Number	Package	Operating Temperature Range	Comments
XRP7664IDTR-F	SOIC-8	$-40^{\circ}\text{C} \leq T_A \leq +85^{\circ}\text{C}$	2.5K/ Tape & Reel
XRP7664EVB	XRP7664 Evaluation Board		