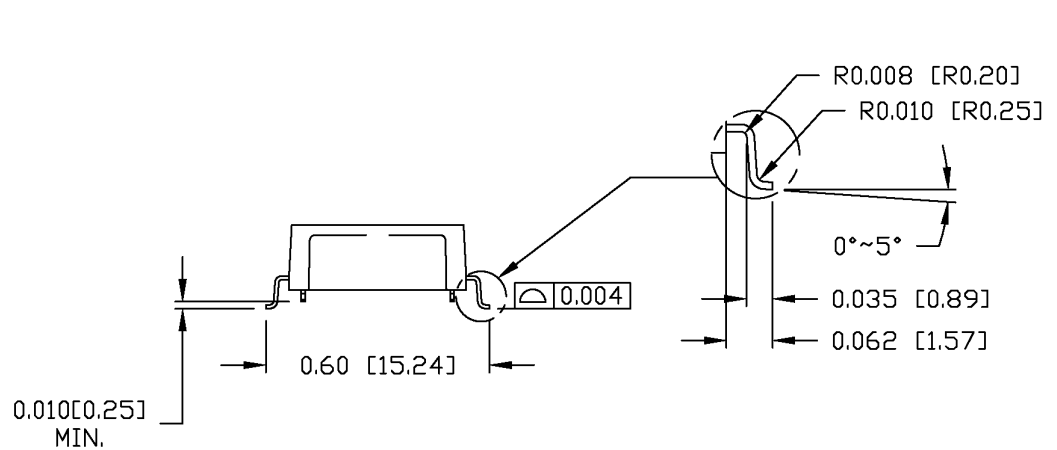
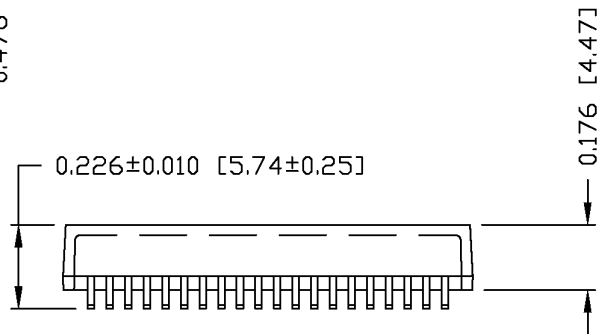
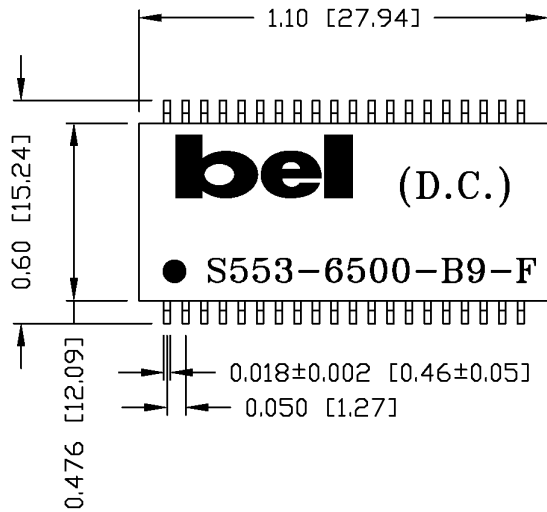
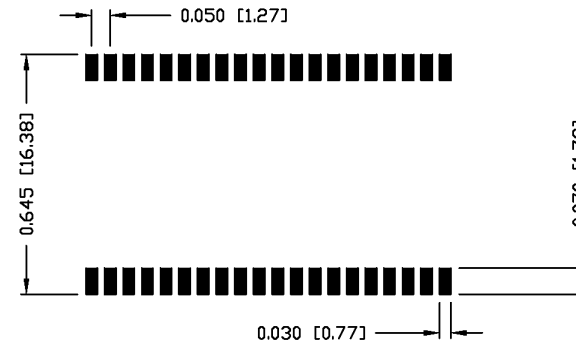


THE INFORMATION CONTAINED HEREIN IS CONSIDERED "PROPRIETARY" TO BEL FUSE INC. AND SHALL NOT BE COPIED, REPRODUCED OR DISCLOSED WITHOUT THE WRITTEN APPROVAL OF BEL FUSE INC.



SUGGESTED PCB PAD LAYOUT



NOTES:

- STANDARD MARKING REFER TO DOC. HAND-WORK-04.
- PACKAGE CODE: "RRS001".

ORIGINATED BY Lawrence Tsang	DATE 06-13-07	TITLE MECHANICAL DRAWING S553-6500-B9-F	PART NO. / DRAWING NO. X5536500B9-F	STANDARD DIM. TOL. IN INCH	[] METRIC DIM. AS REFERENCE	 COMPONENTS FOR A CONNECTED PLANET
DRAWN BY DQ Chen	DATE 06-13-07	FILE NAME X5536500B9FA.DWG	.X	UNIT : INCH [mm]	REV. : A	
			.XX ±0.01	SCALE : N/A	SIZE : A4	
			.XXX ±0.005		PAGE : 3	