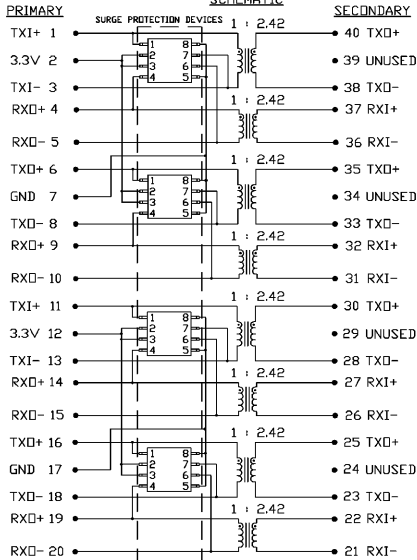


THE INFORMATION CONTAINED HEREIN IS CONSIDERED "PROPRIETARY" TO BEL FUSE INC. AND SHALL NOT BE COPIED, REPRODUCED OR DISCLOSED WITHOUT THE WRITTEN APPROVAL OF BEL FUSE INC.

RoHS
2002/95/EC



SCHMATIC



ELECTRICAL CHARACTERISTICS @ 25°C

<p>URNS RATIO PRIMARY : SECONDARY</p> <p>INDUCTANCE PRIMARY AT -40°C</p> <p>LEAKAGE INDUCTANCE (Le) PRIMARY WITH SECONDARY SIDE SHORTED</p> <p>INTERWINDING CAPACITANCE (Cw/W) PRIMARY - SECONDARY</p> <p>DC RESISTANCE PRIMARY SECONDARY</p> <p>HIPDT</p>	<p>1 : 2.42</p> <p>1 : 2.42</p> <p>1.2 mH MIN. @10kHz, 10mV 400 μH MIN.</p> <p>0.30 μH MAX. @1MHz, 20mV</p> <p>35pF MAX. @1MHz, 20mV</p> <p>0.5Ω MAX. 1.0 Ω MAX.</p> <p>REF. DDC. HAND-WORK-03</p>
--	--

THE SURGE PROTECTION DEVICES
TVS DIODE ARRAYS : PROTEK PSRDA3.3-4-LF
NUMBER OF ARRAYS : 4
*THE SURGE PROTECTION PROVIDED BY THE BEL MODULE IS EQUIVALENT
TO THAT ADVERTISED IN THE PROTEK PSRDA3.3-4-LF PRODUCT SPECIFICATION

ORIGINATED BY	DATE	TITLE
HILLYD CHAN	08-24-07	ELECTRICAL SPECIFICATION S553-6500-A8-F
DRAWN BY	DATE	
DQ Chen	08-24-07	

PART NO. / DRAWING NO.	STANDARD DIM.	[] METRIC DIM. AS REFERENCE
X5536500A8-F	TOL. IN INCH	UNIT : INCH [mm] REV. : B
FILE NAME	.X	SCALE : N/A SIZE : A4
X5536500A8F.B.DWG	.XX	PAGE : 2
	.XXX	

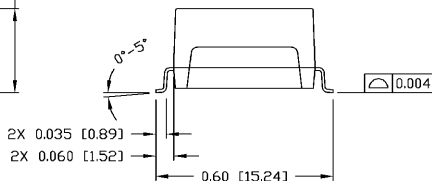
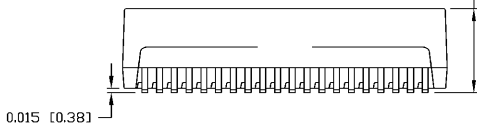
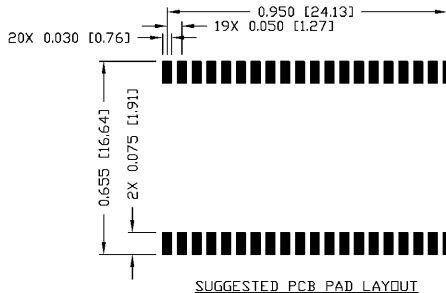
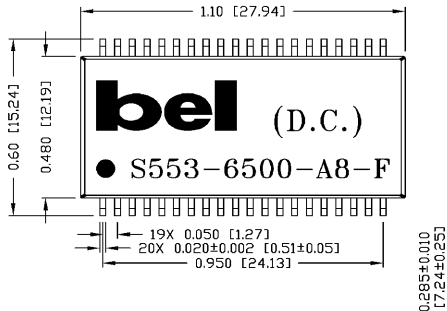
--	--



THE INFORMATION CONTAINED HEREIN IS CONSIDERED "PROPRIETARY" TO BEL FUSE INC. AND SHALL NOT BE COPIED, REPRODUCED OR DISCLOSED WITHOUT THE WRITTEN APPROVAL OF BEL FUSE INC.

"In order to survive the high temperature (260C) reflow requirement of RoHS directive, the internal solder joints of this part need to use solder containing over 85% of lead. Exempted per RoHS directive Annex 7"

RoHS
2002/95/EC



NOTES:

- STANDARD MARKING REFER TO DOC. HAND-WORK-04.
- PACKAGE CODE: "DIS002".

ORIGINATED BY Lawrence Tsang	DATE 08-24-07	TITLE MECHANICAL SPECIFICATION S553-6500-A8-F	PART NO. / DRAWING NO. X5536500A8-F	STANDARD DIM. TOL. IN INCH		[] METRIC DIM. AS REFERENCE		REV. : B
	DRAWN BY DQ Chen		DATE 08-24-07	FILE NAME X5536500A8F.B.DWG	.X		UNIT : INCH [mm]	
				.XX	±0.01	SCALE : N/A		PAGE : 3
				.XXX	±0.005	SCALE : N/A		

