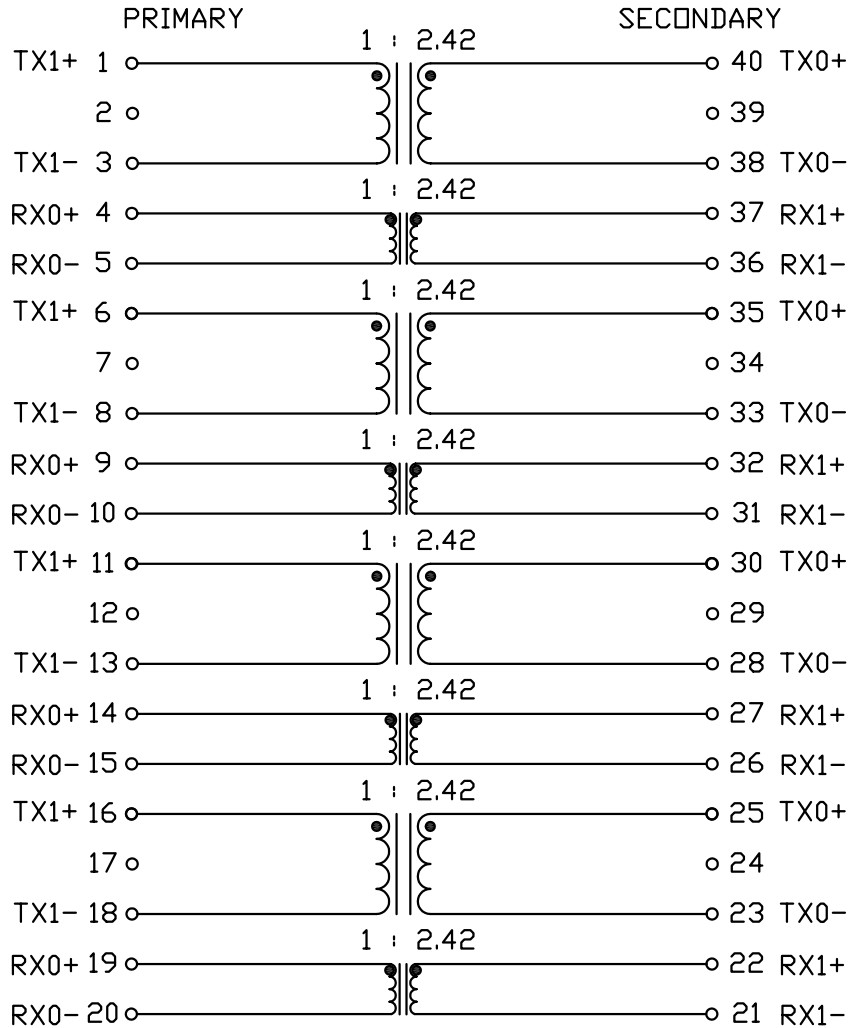


THE INFORMATION CONTAINED HEREIN IS CONSIDERED "PROPRIETARY" TO BEL FUSE INC. AND SHALL NOT BE COPIED, REPRODUCED OR DISCLOSED WITHOUT THE WRITTEN APPROVAL OF BEL FUSE INC.



SCHEMATIC



ELECTRICAL CHARACTERISTICS @ 25°C

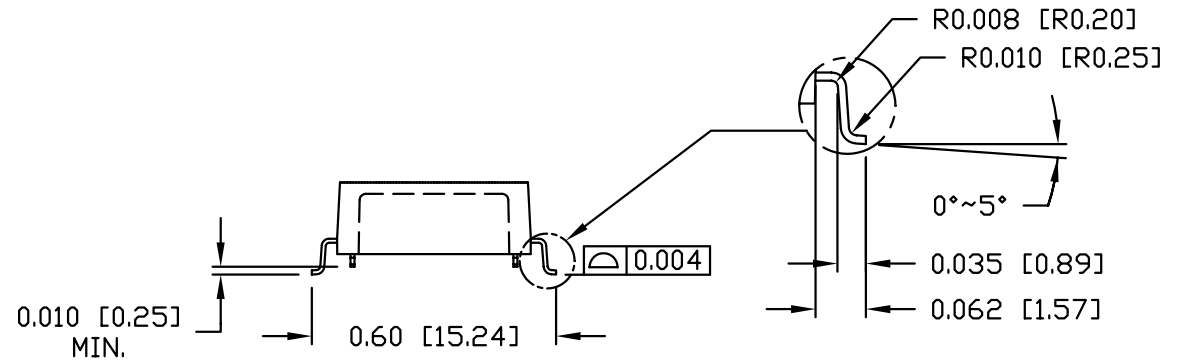
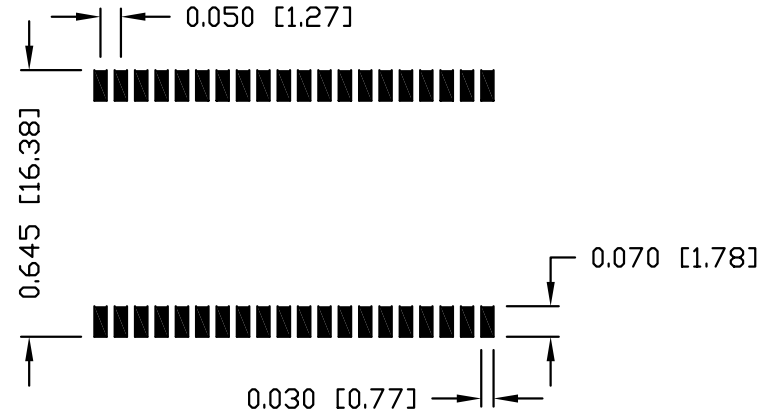
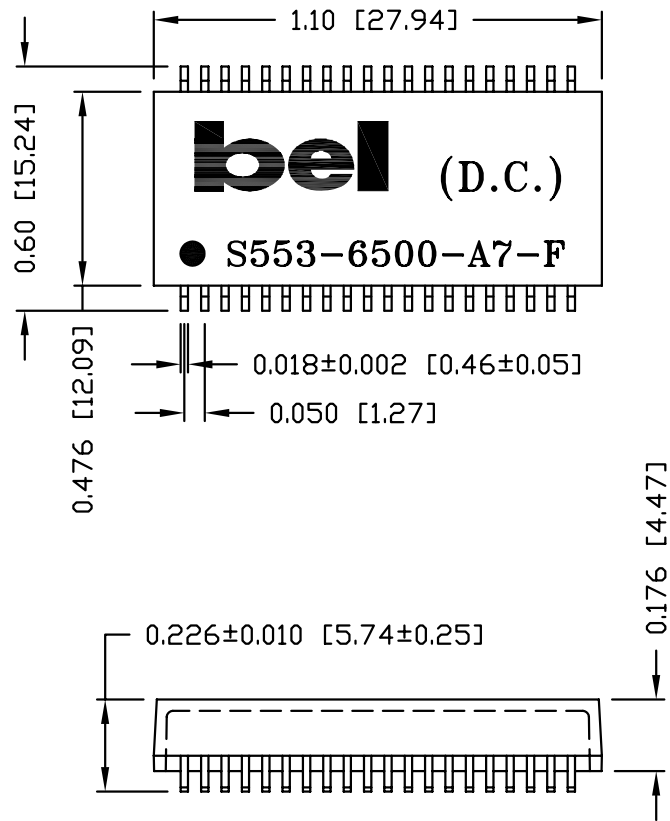
<p>URNS RATIO PRIMARY : SECONDARY</p> <p>POLARITY</p> <p>PRIMARY INDUCTANCE, L_e PRIMARY SIDE PRIMARY SIDE AT -40°C</p> <p>LEAKAGE INDUCTANCE, C_{ww} PRIMARY WITH SECONDARY SHORTED</p> <p>INTERWINDING CAPACITANCE PRIMARY TO SECONDARY</p> <p>DC RESISTANCE PRIMARY SECONDARY</p> <p>HIPOT</p>	<p>1 : 2.42</p> <p>PER DOT CONVENTION</p> <p>950 μH MIN @ 10kHz, 20mVrms 400 μH MIN @ 10kHz, 20mVrms</p> <p>0.3 μH MAX @ 1MHz, 20mV</p> <p>35 pF MAX @ 1MHz, 20mV</p> <p>0.6 Ωhm MAX 1.3 Ωhm MAX</p> <p>PER HAND-WORK-03</p>
---	---

ORIGINATED BY	DATE	TITLE	PART NO. / DRAWING NO.	STANDARD DIM.	[] METRIC DIM. AS REFERENCE	<p>COMPONENTS FOR A CONNECTED PLANET</p>	
CH CHAN	01-05-11	ELECTRICAL SPECIFICATION	X5536500A7-F	TOL. IN INCH	UNIT : INCH [mm]		REV. : A
DRAWN BY	DATE	S553-6500-A7-F	FILE NAME	.X	SCALE : N/A		SIZE : A4
HY ZHANG	01-05-11		X5536500A7FA.DWG	.XX			PAGE : 2

THE INFORMATION CONTAINED HEREIN IS CONSIDERED "PROPRIETARY" TO BEL FUSE INC. AND SHALL NOT BE COPIED, REPRODUCED OR DISCLOSED WITHOUT THE WRITTEN APPROVAL OF BEL FUSE INC.



SUGGESTED PCB PAD LAYOUT



NOTES:

- STANDARD MARKING REFER TO DOC. HAND-WORK-04.
- PACKAGE CODE: "RRS001".

ORIGINATED BY	DATE	TITLE	PART NO. / DRAWING NO.	STANDARD DIM. TOL. IN INCH	[] METRIC DIM. AS REFERENCE
LAWRENCE TSANG	01-05-11	MECHANICAL OUTLINE S553-6500-A7-F	X5536500A7-F	.X	UNIT : INCH [mm]
DRAWN BY	DATE			.XX ±0.01	REV. : A
HY ZHANG	01-05-11		FILE NAME	.XXX ±0.005	SCALE : N/A
			X5536500A7FA.DWG		SIZE : A4
					PAGE : 3

