

DATA CONTAINED IN THIS DOCUMENT IS PROPRIETARY TO TROMPETER ELECTRONICS INC AND SHALL NOT BE DISCLOSED, COPIED OR USED FOR PROCUREMENT OR MANUFACTURE WITHOUT EXPRESS WRITTEN PERMISSION OF TROMPETER ELECTRONICS INC.

**REVISIONS**

3-0061 SH 1

REV	DESCRIPTION	DATE	APPROVED
F	REVISED PER ECO 15158	10/20/03	<i>WJ</i>

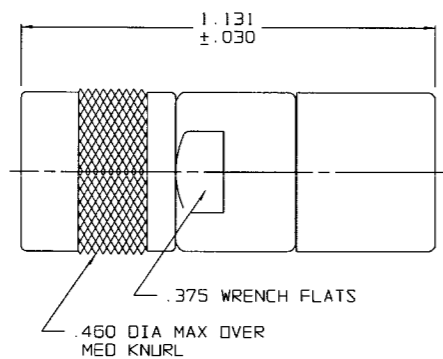
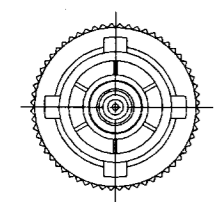
**TABLE 1**

DASH NO	DESCRIPTION
-1	TERM (NO CHAIN)
-2	TERM WITH 2.5 BRASS CHAIN
-3	TERM WITH 2.5 NYLON CHAIN
-4	TERM WITH 3.0 BRASS CHAIN
-5	TERM WITH 3.0 NYLON CHAIN
-6	TERM WITH 5.0 BRASS CHAIN
-7	TERM WITH 5.0 NYLON CHAIN
-8	TERM WITH 4.0 BRASS CHAIN
-9	TERM WITH 4.0 NYLON CHAIN
-10	TERM WITH 10.0 BRASS CHAIN
-11	TERM WITH 10.0 NYLON CHAIN
-12	TERM WITH 2.5 JACKETED STAINLESS STEEL ROPE
-13	TERM WITH 3.0 JACKETED STAINLESS STEEL ROPE
-14	TERM WITH 6.0 JACKETED STAINLESS STEEL ROPE

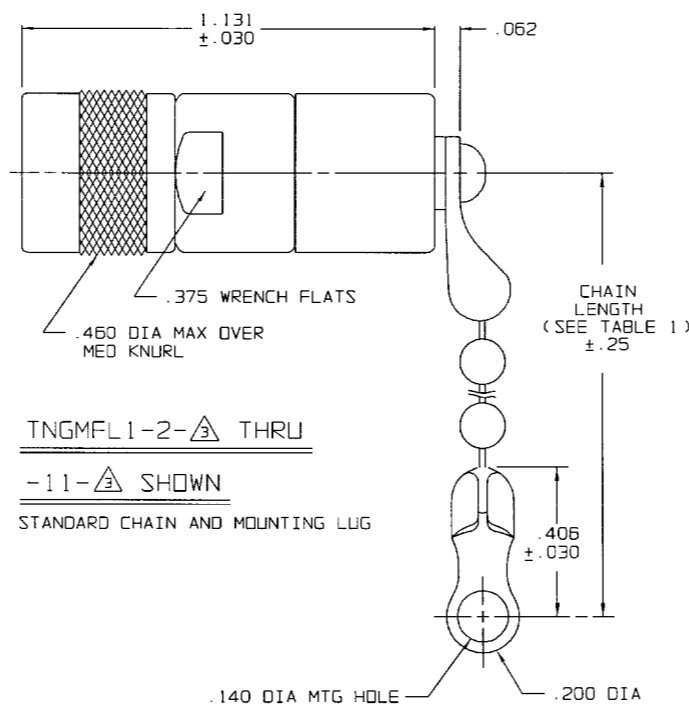
**TABLE 2**

DASH NO	"A" DIA	"B" DIA	"C" DIM
-02	.630	.750	1.066
-03	.505	.625	.941
-04	.439	.562	.878
-05	.380	.500	.816
-06	.317	.437	.753
-07	.281	.406	.722
-08	.610	.750	1.066
-09	.567	.687	1.003

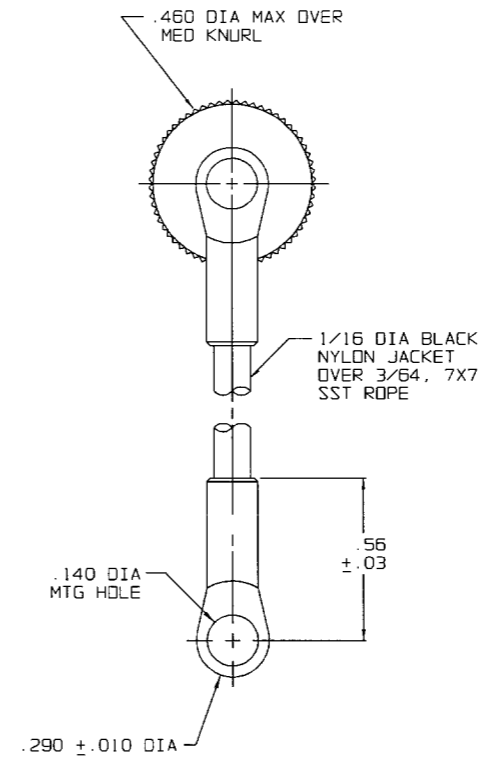
**RED INDICATES ORIGINAL**



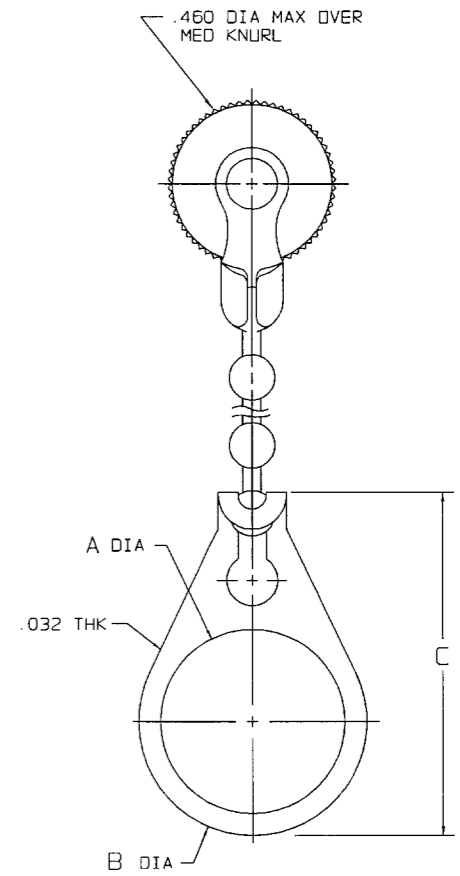
TNGMFL1-1-3 SHOWN  
NO CHAIN/ROPE OR MOUNTING LUG



TNGMFL1-2-3 THRU  
-11-3 SHOWN  
STANDARD CHAIN AND MOUNTING LUG

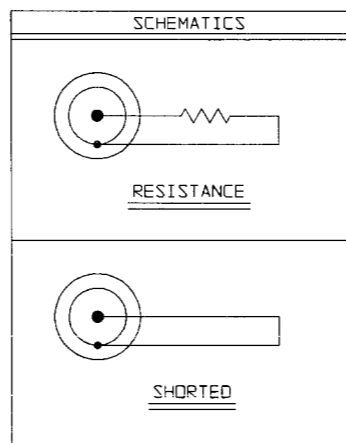


TNGMFL1-12-3 THRU  
-14-3 SHOWN  
STAINLESS STEEL ROPE AND MOUNTING LUG



TNGMFL1-2-3-02 THRU  
-11-3-09 SHOWN  
STANDARD CHAIN AND BULKHEAD JACK MOUNTING LUG

5. EXAMPLE OF COMPLETE MODEL NO:
- TNGMFL1-2-3-02
- BASIC MODEL NO: TNGMFL1-2-3
- DASH NO: -02
- BULKHEAD JACK MOUNTING LUG (OPTIONAL), ONLY AVAILABLE WITH BRASS OR NYLON CHAIN (SEE TABLE 2)
4. CONCENTRIC TWINAX/TRIAX TERMINATION TRS SUBMINIATURE SERIES PLUG WITH CHAIN AND SST ROPE OPTIONS
- 3 RESISTANCE VALUE IN OHMS (1/8W, 1%), OR "S" = CONTACT SHORTED TO INNER SHIELD (NO RESISTOR) "0" = LOOSELY ASSEMBLED (NO RESISTOR)
2. FINISH: TFS-1A (NICKEL)
1. ALL DIM ARE IN INCHES



INTERPRET DRAWING PER MIL-STD-100 DIMENSIONS ARE IN INCHES AND INCLUDE FINISH THICKNESS UNLESS OTHERWISE SPECIFIED		TOL: UNLESS SPECIFIED .XX .XXX ±.005 .XXXX ANGLE			
DRAWN: AAH	DATE: 10-16-03	MATERIAL:			
CHECKED: RD	DATE: 10-17-03	FINISH:		TITLE: TNGMFL1	
QUANTITY: WJ	DATE: 10/20/03	SCALE: NONE		SIZE: B	CAGE CODE: 14949
MANUF: WJ	DATE: 10/20/03	DATE: 3-26-81		DRAWING NO: 3-0061	REV: F
APPROVED: WJ	DATE: 10/20/03	SHEET: 1C		CAD FILE NO: 3-0061F	



[Search](#) | 
 [Parts Entry](#) | 
 [Product Category](#) | 
 **[Product Selection](#)** | 
 [View Cart](#) | 
 [Check Out](#) | 
 [Log In](#) | 
 [Log Off](#)

**Current Selected Criteria:** Part Number Beginning With "TNGMFL1-7-78"

**When placing an order for bulk cable in lengths other than /100, /200, /500, and /1000 ft a \$10 cutting charge per length will be added to your order by the factory**

**Add to Cart Instructions:** Enter A Quantity Then Click on the View Cart or Checkout Tabs

[< Go Back](#)

\*Click on Highlighted Part Number to View Engineering PDF Specs \*\*Historical shipping history on this part for most recent months is XX days

Part Number	Description	ITAR	RoHS	Usually Ships In**	View Discounts	Quote	Price	Buy Quantity
<a href="#">TNGMFL1-7-78</a>	TERMINATION	Y	RoHS-5	30 DAYS	<a href="#">View Discounts</a>	<a href="#">Quote</a>	\$42.81	



[Search](#)
[Parts Entry](#)
[Product Category](#)
[Product Selection](#)
[View Cart](#)
[Check Out](#)
[Log In](#)
[Log Off](#)

**Current Selected Criteria:** Part Number Beginning With "TNGMFL1-6-78"

**When placing an order for bulk cable in lengths other than /100, /200, /500, and /1000 ft a \$10 cutting charge per length will be added to your order by the factory**

**Add to Cart Instructions:** Enter A Quantity Then Click on the View Cart or Checkout Tabs

[< Go Back](#)

\*Click on Highlighted Part Number to View Engineering PDF Specs \*\*Historical shipping history on this part for most recent months is XX days

Part Number	Description	ITAR	RoHS	Usually Ships In**	View Discounts	Quote	Price	Buy Quantity
<a href="#">TNGMFL1-6-78</a>	TERMINATION	Y	RoHS-5	30 DAYS	<a href="#">View Discounts</a>	<a href="#">Quote</a>	\$42.81	



[Search](#) | 
 [Parts Entry](#) | 
 [Product Category](#) | 
 **[Product Selection](#)** | 
 [View Cart](#) | 
 [Check Out](#) | 
 [Log In](#) | 
 [Log Off](#)

**Current Selected Criteria:** Part Number Beginning With "TNGMFL1-3-78"

**When placing an order for bulk cable in lengths other than /100, /200, /500, and /1000 ft a \$10 cutting charge per length will be added to your order by the factory**

**Add to Cart Instructions:** Enter A Quantity Then Click on the View Cart or Checkout Tabs

[< Go Back](#)

\*Click on Highlighted Part Number to View Engineering PDF Specs \*\*Historical shipping history on this part for most recent months is XX days

Part Number	Description	ITAR	RoHS	Usually Ships In**	View Discounts	Quote	Price	Buy Quantity
<a href="#">TNGMFL1-3-78</a>	TERMINATION	Y	RoHS-5	30 DAYS	<a href="#">View Discounts</a>	<a href="#">Quote</a>	\$42.81	



[Search](#) | 
 [Parts Entry](#) | 
 [Product Category](#) | 
 **[Product Selection](#)** | 
 [View Cart](#) | 
 [Check Out](#) | 
 [Log In](#) | 
 [Log Off](#)

**Current Selected Criteria:** Part Number Beginning With "TNGMFL1-1-78"

**When placing an order for bulk cable in lengths other than /100, /200, /500, and /1000 ft a \$10 cutting charge per length will be added to your order by the factory**

**Add to Cart Instructions:** Enter A Quantity Then Click on the View Cart or Checkout Tabs

[< Go Back](#)

\*Click on Highlighted Part Number to View Engineering PDF Specs  
shipping history on this part for most recent months is XX days

\*\*Historical

Part Number	Description	ITAR	RoHS	Usually Ships In**	View Discounts	Quote	Price	Buy Quantity
<a href="#">TNGMFL1-1-78</a>	TERMINATION	N	RoHS-5	STOCK	<a href="#">View Discounts</a>	<a href="#">Quote</a>	\$38.33	



[Search](#) | 
 [Parts Entry](#) | 
 [Product Category](#) | 
 **[Product Selection](#)** | 
 [View Cart](#) | 
 [Check Out](#) | 
 [Log In](#) | 
 [Log Off](#)

**Current Selected Criteria:** Part Number Beginning With "TNGMFL1-1-77"

**When placing an order for bulk cable in lengths other than /100, /200, /500, and /1000 ft a \$10 cutting charge per length will be added to your order by the factory**

**Add to Cart Instructions:** Enter A Quantity Then Click on the View Cart or Checkout Tabs

[< Go Back](#)

\*Click on Highlighted Part Number to View Engineering PDF Specs \*\*Historical shipping history on this part for most recent months is XX days

Part Number	Description	ITAR	RoHS	Usually Ships In**	View Discounts	Quote	Price	Buy Quantity
<a href="#">TNGMFL1-1-77</a>	TERMINATION	N	Non-Compliant	30 DAYS	<a href="#">View Discounts</a>	<a href="#">Quote</a>	\$38.33	



[Search](#) | 
 [Parts Entry](#) | 
 [Product Category](#) | 
 **[Product Selection](#)** | 
 [View Cart](#) | 
 [Check Out](#) | 
 [Log In](#) | 
 [Log Off](#)

**Current Selected Criteria:** Part Number Beginning With "TNGMFL1-1-75"

**When placing an order for bulk cable in lengths other than /100, /200, /500, and /1000 ft a \$10 cutting charge per length will be added to your order by the factory**

**Add to Cart Instructions:** Enter A Quantity Then Click on the View Cart or Checkout Tabs

[< Go Back](#)

\*Click on Highlighted Part Number to View Engineering PDF Specs \*\*Historical shipping history on this part for most recent months is XX days

Part Number	Description	ITAR	RoHS	Usually Ships In**	View Discounts	Quote	Price	Buy Quantity
<a href="#">TNGMFL1-1-75</a>	TERMINATION	N	RoHS-5	30 DAYS	<a href="#">View Discounts</a>	<a href="#">Quote</a>	\$38.33	



[Search](#) | 
 [Parts Entry](#) | 
 [Product Category](#) | 
 **[Product Selection](#)** | 
 [View Cart](#) | 
 [Check Out](#) | 
 [Log In](#) | 
 [Log Off](#)

**Current Selected Criteria:** Part Number Beginning With "TNGMFL1-1-3000"

**When placing an order for bulk cable in lengths other than /100, /200, /500, and /1000 ft a \$10 cutting charge per length will be added to your order by the factory**

**Add to Cart Instructions:** Enter A Quantity Then Click on the View Cart or Checkout Tabs

[< Go Back](#)

\*Click on Highlighted Part Number to View Engineering PDF Specs \*\*Historical shipping history on this part for most recent months is XX days

Part Number	Description	ITAR	RoHS	Usually Ships In**	View Discounts	Quote	Price	Buy Quantity
<a href="#">TNGMFL1-1-3000</a>	TERMINATION	Y	Non-Compliant	30 DAYS	<a href="#">View Discounts</a>	<a href="#">Quote</a>	\$38.33	





[Search](#) | 
 [Parts Entry](#) | 
 [Product Category](#) | 
 **[Product Selection](#)** | 
 [View Cart](#) | 
 [Check Out](#) | 
 [Log In](#) | 
 [Log Off](#)

**Current Selected Criteria:** Part Number Beginning With "TNGMFL1-1-2000"

**When placing an order for bulk cable in lengths other than /100, /200, /500, and /1000 ft a \$10 cutting charge per length will be added to your order by the factory**

**Add to Cart Instructions:** Enter A Quantity Then Click on the View Cart or Checkout Tabs

[< Go Back](#)

\*Click on Highlighted Part Number to View Engineering PDF Specs \*\*Historical shipping history on this part for most recent months is XX days

Part Number	Description	ITAR	RoHS	Usually Ships In**	View Discounts	Quote	Price	Buy Quantity
<a href="#">TNGMFL1-1-2000</a>	TERMINATION	Y	RoHS-5	30 DAYS	<a href="#">View Discounts</a>	<a href="#">Quote</a>	\$38.33	



[Search](#) | 
 [Parts Entry](#) | 
 [Product Category](#) | 
 **[Product Selection](#)** | 
 [View Cart](#) | 
 [Check Out](#) | 
 [Log In](#) | 
 [Log Off](#)

**Current Selected Criteria:** Part Number Beginning With "TNGMFL1-10-78"

**When placing an order for bulk cable in lengths other than /100, /200, /500, and /1000 ft a \$10 cutting charge per length will be added to your order by the factory**

**Add to Cart Instructions:** Enter A Quantity Then Click on the View Cart or Checkout Tabs

[< Go Back](#)

\*Click on Highlighted Part Number to View Engineering PDF Specs \*\*Historical shipping history on this part for most recent months is XX days

Part Number	Description	ITAR	RoHS	Usually Ships In**	View Discounts	Quote	Price	Buy Quantity
<a href="#">TNGMFL1-10-78</a>	TERMINATION	Y	RoHS-5	30 DAYS	<a href="#">View Discounts</a>	<a href="#">Quote</a>	\$42.81	