

DATA CONTAINED IN THIS DOCUMENT IS PROPRIETARY TO TROMPETER ELECTRONICS INC. AND SHALL NOT BE DISCLOSED, COPIED OR USED FOR PROCUREMENT OR MANUFACTURE WITHOUT EXPRESS WRITTEN PERMISSION OF TROMPETER ELECTRONICS INC.

REVISIONS		3-0242	SH 1
REV	DESCRIPTION	DATE	APPROVED
B	REVISED PER ECD 14937	2/25/03	WJ

DASH NO	DESCRIPTION
-1	TERM (NO CHAIN)
-2	TERM WITH 2.5 BRASS CHAIN
-3	TERM WITH 2.5 NYLON CHAIN
-4	TERM WITH 3.0 BRASS CHAIN
-5	TERM WITH 3.0 NYLON CHAIN
-6	TERM WITH 6.0 BRASS CHAIN
-7	TERM WITH 6.0 NYLON CHAIN

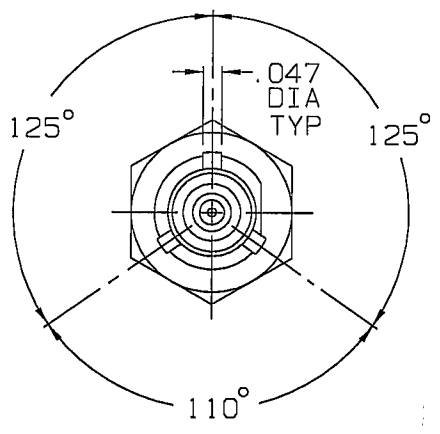
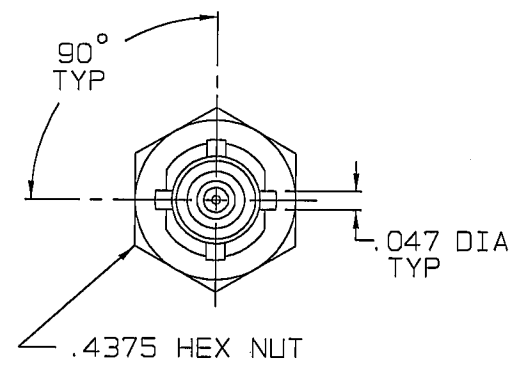
MODEL NO	LTR CODE	TYPE	CENTER CONTACT / INTMD CONTACT TYPE
TBJ451P	A	3LUG	SOCKET / PIN
TBJ451S	B		PIN / SOCKET
TBJ451FLP	C	4LUG	SOCKET / PIN
TBJ451FLS	D		PIN / SOCKET

7. MAX PANEL THK .156
6. EXAMPLE OF COMPLETE MODEL NO:
- TBJ451 FL P -1 -4
- BASIC MODEL NO ———
- 4 LUG (OMIT FOR 3 LUG) ———
- CENTER & INTERMEDIATE CONTACT TYPE (SEE TABLE 2) ———
- DASH NO (SEE TABLE 1) ———

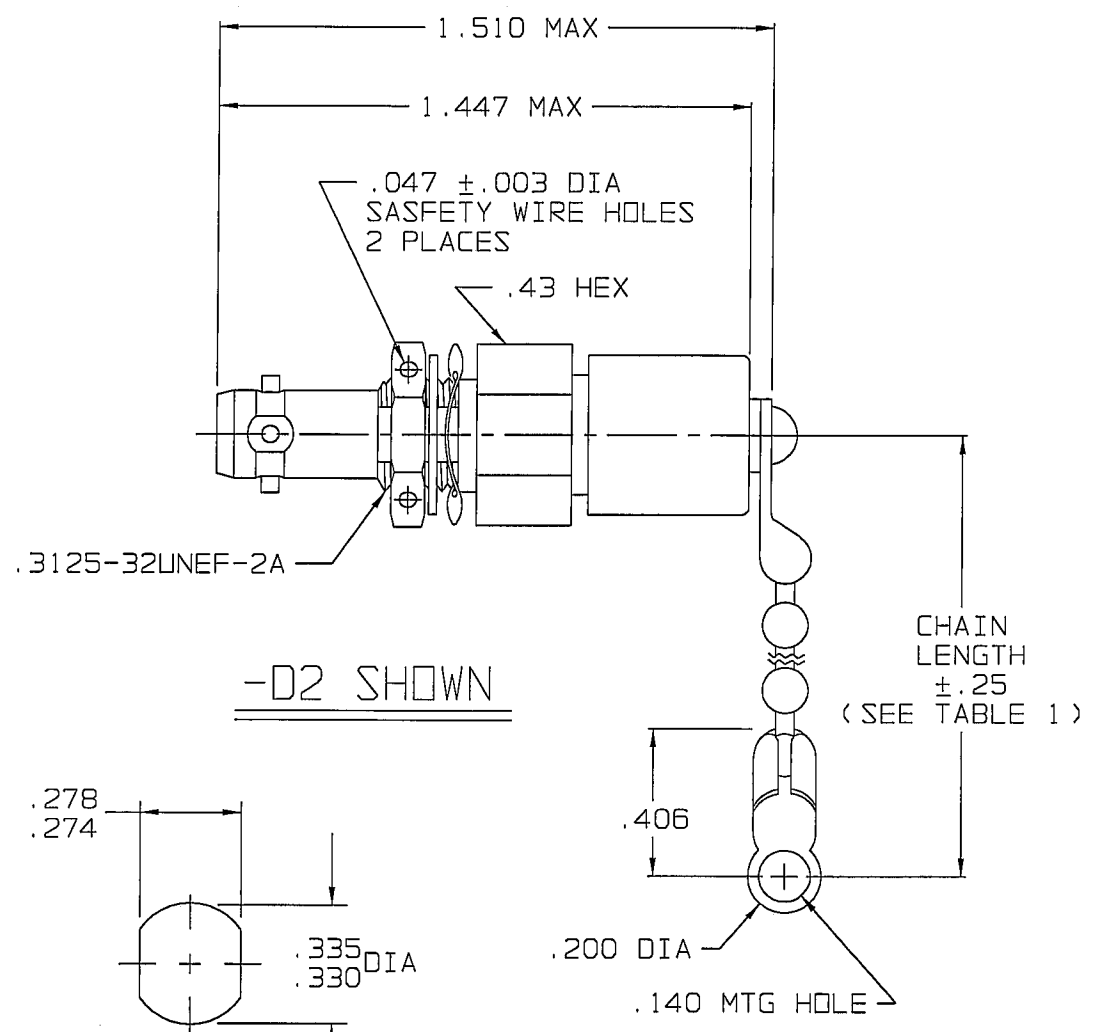
5. EXAMPLE OF COMPLETE PART NO:
- 3-0242 -B -1 -4
- BASIC PART NO ———
- LETTER CODE (SEE TABLE 2) ———
- DASH NO (SEE TABLE 1) ———

4. RESISTANCE VALUE IN OHMS, 1W, 1%,  
 "S" = CONTACT SHORTED TO INNER SHIELD (NO RESISTOR)  
 "D" = LOOSELY ASSEMBLED (NO RESISTOR)

3. 3 & 4 LUG CONCENTRIC TWINAX 450 SERIES TERMINATION NONINSULATED REAR MOUNT BULKHEAD RECEPTACLE WITH CENTER PIN / INTERMEDIATE SOCKET OR CENTER SOCKET / INTERMEDIATE PIN
2. FINISH: TFS-1U (500 HOURS SALT SPRAY)
1. ALL DIM ARE IN INCHES



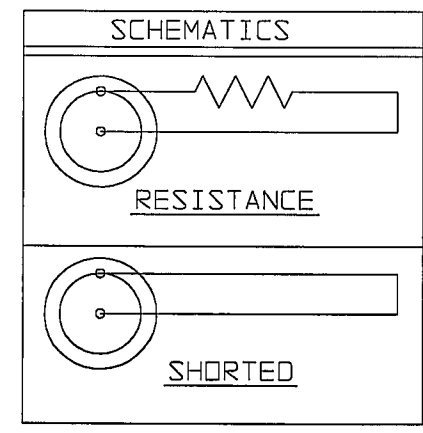
-B1 SHOWN



-D2 SHOWN

RECOMMENDED PANEL CUTOUT

**RED INDICATES ORIGINAL**



INTERPRET DRAWING PER MIL-STD-100 DIMENSIONS ARE IN INCHES AND INCLUDE FINISH THICKNESS UNLESS OTHERWISE SPECIFIED	TOL: UNLESS SPECIFIED .XX .XXX ±.010 .XXXX		TITLE:	TBJ451/FL/P/S	
DRAWN: AAH CHECKED: JCM DATE: 2-18-03 DATE: 2-19-03 DATE: 2/25/03 DATE: 2/25/03 DATE: 2/24/03	MATERIAL:		SIZE: B	CAGE CODE: 14949	DRAWING NO.: 3-0242
NEXT ASSY: CAD FILE NO. 3-0242B	DD NOT SCALE DWG	SCALE: 4/1	DATE: 3/29/88	SHEET: 1C	

[Search](#) | 
 [Parts Entry](#) | 
 [Product Category](#) | 
 **[Product Selection](#)** | 
 [View Cart](#) | 
 [Check Out](#) | 
 [Log In](#) | 
 [Log Off](#)

**Current Selected Criteria:** Part Number Beginning With "TBJ451S-1-78"

**When placing an order for bulk cable in lengths other than /100, /200, /500, and /1000 ft a \$10 cutting charge per length will be added to your order by the factory**

**Add to Cart Instructions:** Enter A Quantity Then Click on the View Cart or Checkout Tabs

[< Go Back](#)

\*Click on Highlighted Part Number to View Engineering PDF Specs \*\*Historical shipping history on this part for most recent months is XX days

Part Number	Description	ITAR	RoHS	Usually Ships In**	View Discounts	Quote	Price	Buy Quantity
<a href="#">TBJ451S-1-78</a>	TERMINATION	Y	Non-Compliant	30 DAYS	<a href="#">View Discounts</a>	<a href="#">Quote</a>	\$0.00	

[Search](#) | 
 [Parts Entry](#) | 
 [Product Category](#) | 
 **[Product Selection](#)** | 
 [View Cart](#) | 
 [Check Out](#) | 
 [Log In](#) | 
 [Log Off](#)

**Current Selected Criteria:** Part Number Beginning With "TBJ451P-1-78"

**When placing an order for bulk cable in lengths other than /100, /200, /500, and /1000 ft a \$10 cutting charge per length will be added to your order by the factory**

**Add to Cart Instructions:** Enter A Quantity Then Click on the View Cart or Checkout Tabs

[< Go Back](#)

\*Click on Highlighted Part Number to View Engineering PDF Specs \*\*Historical shipping history on this part for most recent months is XX days

Part Number	Description	ITAR	RoHS	Usually Ships In**	View Discounts	Quote	Price	Buy Quantity
<a href="#">TBJ451P-1-78</a>	TERMINATION	Y	Non-Compliant	30 DAYS	<a href="#">View Discounts</a>	<a href="#">Quote</a>	\$0.00	



[Search](#) | 
 [Parts Entry](#) | 
 [Product Category](#) | 
 **[Product Selection](#)** | 
 [View Cart](#) | 
 [Check Out](#) | 
 [Log In](#) | 
 [Log Off](#)

**Current Selected Criteria:** Part Number Beginning With "TBJ451P-1-3K"

**When placing an order for bulk cable in lengths other than /100, /200, /500, and /1000 ft a \$10 cutting charge per length will be added to your order by the factory**

**Add to Cart Instructions:** Enter A Quantity Then Click on the View Cart or Checkout Tabs

[< Go Back](#)

\*Click on Highlighted Part Number to View Engineering PDF Specs  
shipping history on this part for most recent months is XX days

\*\*Historical

Part Number	Description	ITAR	RoHS	Usually Ships In**	View Discounts	Quote	Price	Buy Quantity
<a href="#">TBJ451P-1-3K</a>	TERMINATION	Y	Non-Compliant	30 DAYS	<a href="#">View Discounts</a>	<a href="#">Quote</a>	\$0.00	



[Search](#) | 
 [Parts Entry](#) | 
 [Product Category](#) | 
 **[Product Selection](#)** | 
 [View Cart](#) | 
 [Check Out](#) | 
 [Log In](#) | 
 [Log Off](#)

**Current Selected Criteria:** Part Number Beginning With "TBJ451FLS-1-3K"

**When placing an order for bulk cable in lengths other than /100, /200, /500, and /1000 ft a \$10 cutting charge per length will be added to your order by the factory**

**Add to Cart Instructions:** Enter A Quantity Then Click on the View Cart or Checkout Tabs

[< Go Back](#)

\*Click on Highlighted Part Number to View Engineering PDF Specs \*\*Historical shipping history on this part for most recent months is XX days

Part Number	Description	ITAR	RoHS	Usually Ships In**	View Discounts	Quote	Price	Buy Quantity
<a href="#">TBJ451FLS-1-3K</a>	TERMINATION	Y	Non-Compliant	30 DAYS	<a href="#">View Discounts</a>	<a href="#">Quote</a>	\$0.00	



[Search](#) | 
 [Parts Entry](#) | 
 [Product Category](#) | 
 **[Product Selection](#)** | 
 [View Cart](#) | 
 [Check Out](#) | 
 [Log In](#) | 
 [Log Off](#)

**Current Selected Criteria:** Part Number Beginning With "TBJ451FLP-1-3K"

**When placing an order for bulk cable in lengths other than /100, /200, /500, and /1000 ft a \$10 cutting charge per length will be added to your order by the factory**

**Add to Cart Instructions:** Enter A Quantity Then Click on the View Cart or Checkout Tabs

[< Go Back](#)

\*Click on Highlighted Part Number to View Engineering PDF Specs \*\*Historical shipping history on this part for most recent months is XX days

Part Number	Description	ITAR	RoHS	Usually Ships In**	View Discounts	Quote	Price	Buy Quantity
<a href="#">TBJ451FLP-1-3K</a>	TERMINATION	Y	Non-Compliant	30 DAYS	<a href="#">View Discounts</a>	<a href="#">Quote</a>	\$0.00	