

SP20108 Series

6.6 Watts Switching Power Supply

FEATURES

- Low Cost
- 90-264Vac Universal Input
- CISPR'B' & CNS'B' Compliance
- 100% Burn-In Test
- Over Voltage Protection Installation
- Short-Circuit Protection Installation
- Protection Type: Auto-Recovery

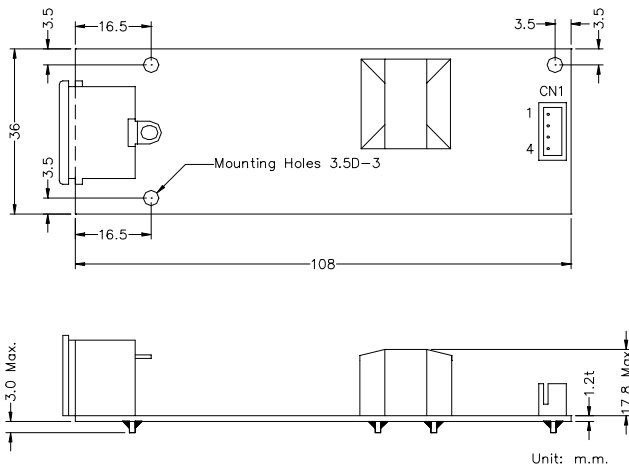


SPECIFICATION

Item	Model	SP20108
Input Voltage		AC 90~264V
Input Frequency		47~63Hz
Efficiency		70% Typical
Operating Temperature		0~50°C
Storage Temperature		-20~85°C
Weight		55g
Safety Description		UL, CUL, TUV

(*) : Under Development (I/P) : In Process

MECHANICAL



OUTPUTS

Model No.		SP20108
Vo		+3.3V
Load	Min	0A
	Rated	2A
	Surge	---
Regulation	Line	1%
	Load	3%
Tolerance		+/-4%
Ripple Noise		50mV

Ref. No.	Connector Type	Mating Connector Type
INLET	IEC-320 Socket	IEC-320 AC Power Cord
CN1	JST B4B-XH-A or Equivalent	JST XHP-4 or Equivalent

Pin Assignment	
CN1	
Pin 1	+3.3V
Pin 2	+3.3V
Pin 3	GND
Pin 4	GND