

**50A, 400V - 600V Hyperfast Diodes**

RHRU5040, RHRU5050 and RHRU5060 (TA49065) are hyperfast diodes with soft recovery characteristics ( $t_{RR} < 45ns$ ). They have half the recovery time of ultrafast diodes and are silicon nitride passivated ion-implanted epitaxial planar construction.

These devices are intended for use as freewheeling/clamping diodes and rectifiers in a variety of switching power supplies and other power switching applications. Their low stored charge and hyperfast soft recovery minimize ringing and electrical noise in many power switching circuits reducing power loss in the switching transistors.

**Ordering Information**

**PACKAGING AVAILABILITY**

PART NUMBER	PACKAGE	BRAND
RHRU5040	TO-218	RHRU5040
RHRU5050	TO-218	RHRU5050
RHRU5060	TO-218	RHRU5060

NOTE: When ordering, use the entire part number.

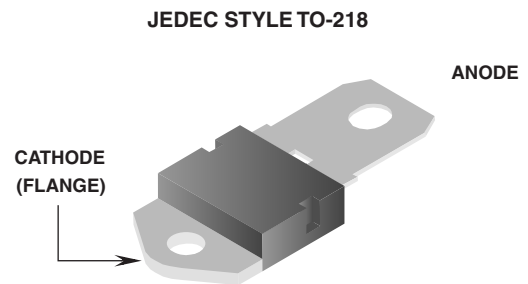
**Features**

- Hyperfast with Soft Recovery ..... <45ns
- Operating Temperature ..... +175°C
- Reverse Voltage Up To ..... 600V
- Avalanche Energy Rated
- Planar Construction

**Applications**

- Switching Power Supplies
- Power Switching Circuits
- General Purpose

**Package**



**Symbol**



**Absolute Maximum Ratings**  $T_C = +25^{\circ}C$ , Unless Otherwise Specified

	RHRU5040	RHRU5050	RHRU5060	UNITS
Peak Repetitive Reverse Voltage ..... $V_{RRM}$	400	500	600	V
Working Peak Reverse Voltage ..... $V_{RWM}$	400	500	600	V
DC Blocking Voltage ..... $V_R$	400	500	600	V
Average Rectified Forward Current ..... $I_F(AV)$ ( $T_C = +93^{\circ}C$ )	50	50	50	A
Repetitive Peak Surge Current ..... $I_{FSM}$ (Square Wave, 20kHz)	100	100	100	A
Nonrepetitive Peak Surge Current ..... $I_{FSM}$ (Halfwave, 1 Phase, 60Hz)	500	500	500	A
Maximum Power Dissipation ..... $P_D$	150	150	150	W
Avalanche Energy ( $L = 40mH$ ) ..... $E_{AVL}$	40	40	40	mj
Operating and Storage Temperature ..... $T_{STG}, T_J$	-65 to +175	-65 to +175	-65 to +175	°C

# RHRU5040, RHRU5050, RHRU5060

## Electrical Specifications $T_C = +25^\circ\text{C}$ , Unless Otherwise Specified

SYMBOL	TEST CONDITION	RHRU5040			RHRU5050			RHRU5060			UNITS
		MIN	TYP	MAX	MIN	TYP	MAX	MIN	TYP	MAX	
$V_F$	$I_F = 50\text{A}$ , $T_C = +25^\circ\text{C}$	-	-	2.1	-	-	2.1	-	-	2.1	V
	$I_F = 50\text{A}$ , $T_C = +150^\circ\text{C}$	-	-	1.7	-	-	1.7	-	-	1.7	V
$I_R$	$V_R = 400\text{V}$ , $T_C = +25^\circ\text{C}$	-	-	500	-	-	-	-	-	-	$\mu\text{A}$
	$V_R = 500\text{V}$ , $T_C = +25^\circ\text{C}$	-	-	-	-	-	500	-	-	-	$\mu\text{A}$
	$V_R = 600\text{V}$ , $T_C = +25^\circ\text{C}$	-	-	-	-	-	-	-	-	500	$\mu\text{A}$
$I_R$	$V_R = 400\text{V}$ , $T_C = +150^\circ\text{C}$	-	-	1.5	-	-	-	-	-	-	mA
	$V_R = 500\text{V}$ , $T_C = +150^\circ\text{C}$	-	-	-	-	-	1.5	-	-	-	mA
	$V_R = 600\text{V}$ , $T_C = +150^\circ\text{C}$	-	-	-	-	-	-	-	-	1.5	mA
$t_{RR}$	$I_F = 1\text{A}$ , $di_F/dt = 100\text{A}/\mu\text{s}$	-	-	45	-	-	45	-	-	45	ns
	$I_F = 50\text{A}$ , $di_F/dt = 100\text{A}/\mu\text{s}$	-	-	50	-	-	50	-	-	50	ns
$t_A$	$I_F = 50\text{A}$ , $di_F/dt = 100\text{A}/\mu\text{s}$	-	25	-	-	25	-	-	25	-	ns
$t_B$	$I_F = 50\text{A}$ , $di_F/dt = 100\text{A}/\mu\text{s}$	-	20	-	-	20	-	-	20	-	ns
$Q_{RR}$	$I_F = 50\text{A}$ , $di_F/dt = 100\text{A}/\mu\text{s}$	-	65	-	-	65	-	-	65	-	nC
$C_J$	$V_R = 10\text{V}$ , $I_F = 0\text{A}$	-	140	-	-	140	-	-	140	-	pF
$R_{\theta JC}$		-	-	1.0	-	-	1.0	-	-	1.0	$^\circ\text{C}/\text{W}$

### DEFINITIONS

$V_F$  = Instantaneous forward voltage ( $p_w = 300\mu\text{s}$ ,  $D = 2\%$ ).

$I_R$  = Instantaneous reverse current.

$t_{RR}$  = Reverse recovery time (See Figure 2), summation of  $t_A + t_B$ .

$t_A$  = Time to reach peak reverse current (See Figure 2).

$t_B$  = Time from peak  $I_{RM}$  to projected zero crossing of  $I_{RM}$  based on a straight line from peak  $I_{RM}$  through 25% of  $I_{RM}$  (See Figure 2).

$R_{\theta JC}$  = Thermal resistance junction to case.

$E_{AVL}$  = Controlled avalanche energy (See Figures 10 and 11).

$p_w$  = pulse width.

$D$  = duty cycle.

$V_1$  AMPLITUDE CONTROLS  $I_F$   
 $V_2$  AMPLITUDE CONTROLS  $dI/dt$   
 $L_1$  = SELF INDUCTANCE OF  
 $R_4 + L_{LOOP}$

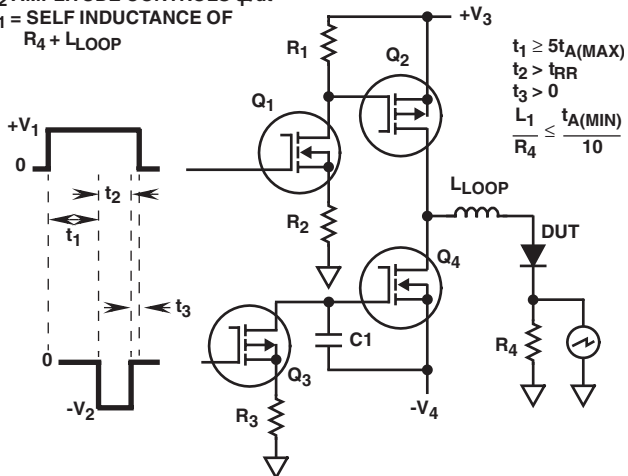


FIGURE 1.  $t_{RR}$  TEST CIRCUIT

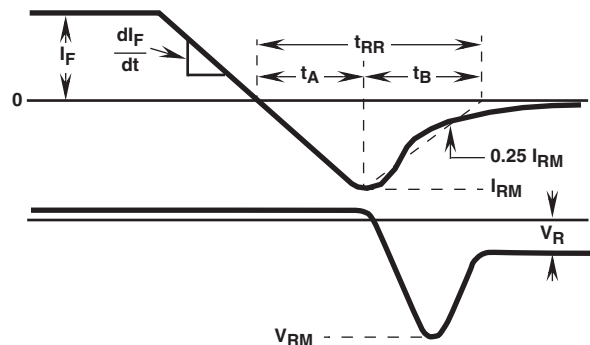


FIGURE 2.  $t_{RR}$  WAVEFORMS AND DEFINITIONS

Typical Performance Curves

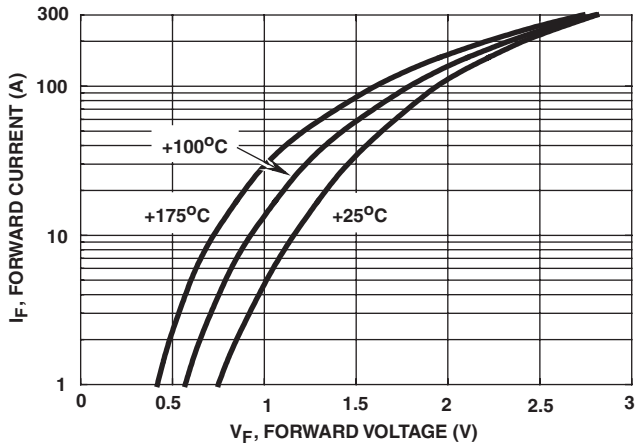


FIGURE 3. TYPICAL FORWARD CURRENT vs FORWARD VOLTAGE DROP

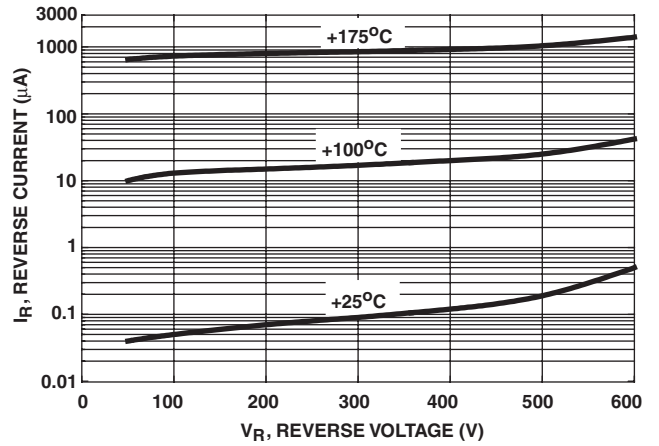


FIGURE 4. TYPICAL REVERSE CURRENT vs REVERSE VOLTAGE

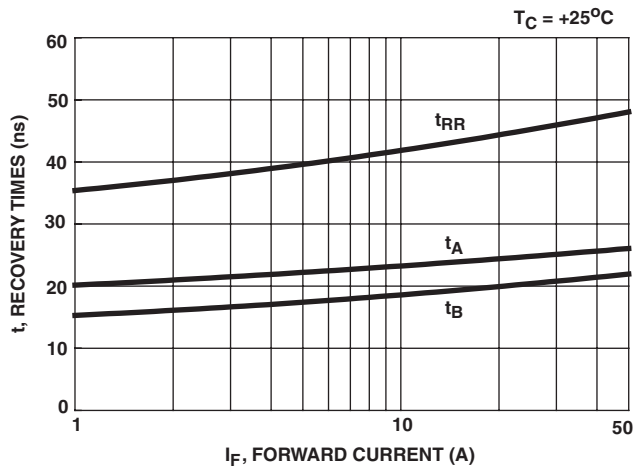


FIGURE 5. TYPICAL  $t_{RR}$ ,  $t_A$  AND  $t_B$  CURVES vs FORWARD CURRENT AT +25°C

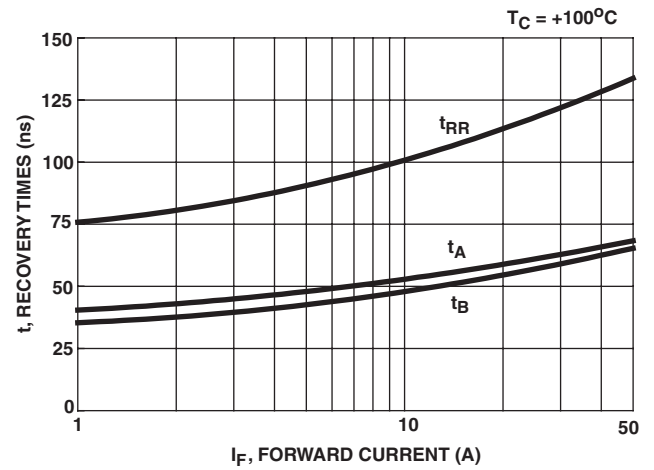


FIGURE 6. TYPICAL  $t_{RR}$ ,  $t_A$  AND  $t_B$  CURVES vs FORWARD CURRENT AT +100°C

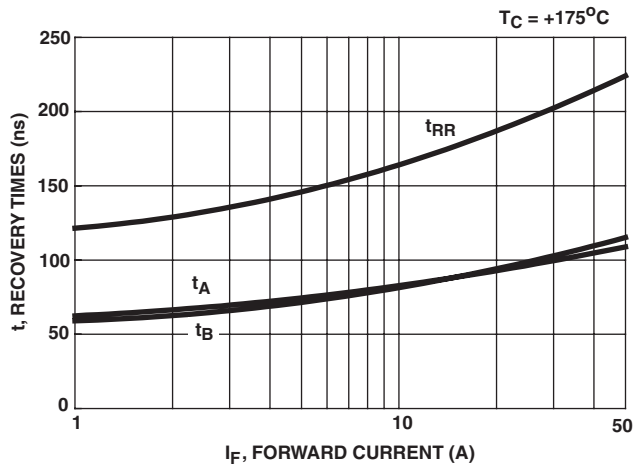


FIGURE 7. TYPICAL  $t_{RR}$ ,  $t_A$  AND  $t_B$  CURVES vs FORWARD CURRENT AT +175°C

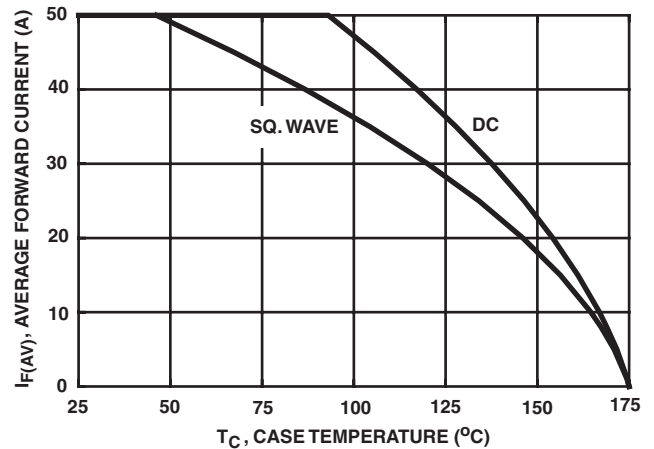


FIGURE 8. CURRENT DERATING CURVE FOR ALL TYPES

Typical Performance Curves (Continued)

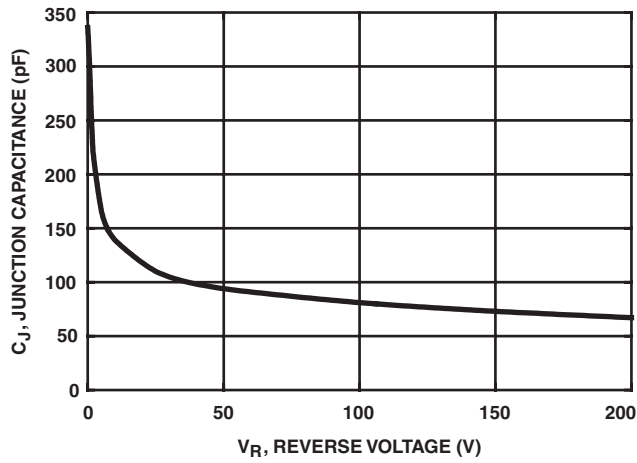


FIGURE 9. TYPICAL JUNCTION CAPACITANCE vs REVERSE VOLTAGE

Test Circuit and Waveforms

I<sub>MAX</sub> = 1 A  
 L = 40mH  
 R < 0.1Ω  
 $E_{AVL} = 1/2 L I_L^2 [V_{AVL} / (V_{AVL} - V_{DD})]$   
 Q<sub>1</sub> AND Q<sub>2</sub> ARE 1000V MOSFETs

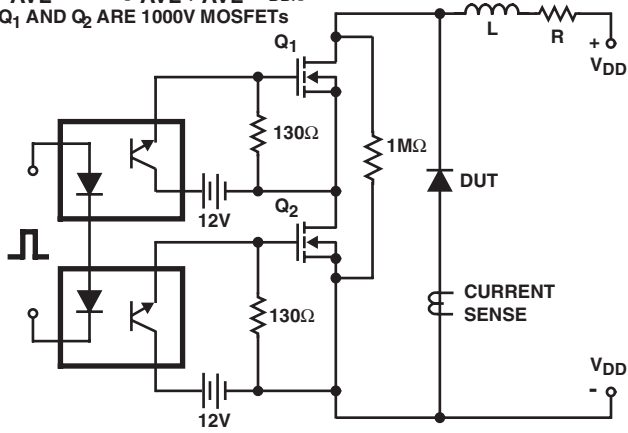


FIGURE 10. AVALANCHE ENERGY TEST CIRCUIT

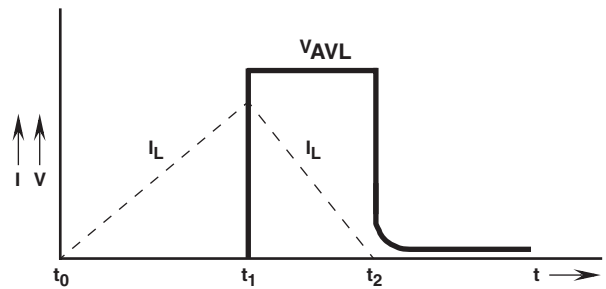


FIGURE 11. AVALANCHE CURRENT AND VOLTAGE WAVEFORMS

## TRADEMARKS

The following are registered and unregistered trademarks Fairchild Semiconductor owns or is authorized to use and is not intended to be an exhaustive list of all such trademarks.

ACE <sub>x</sub> <sup>TM</sup>	FAST <sup>®</sup>	OPTOLOGIC <sup>TM</sup>	SMART START <sup>TM</sup>	VCX <sup>TM</sup>
Bottomless <sup>TM</sup>	FAST <sub>r</sub> <sup>TM</sup>	OPTOPLANAR <sup>TM</sup>	STAR*POWER <sup>TM</sup>	
CoolFET <sup>TM</sup>	FRFET <sup>TM</sup>	PACMAN <sup>TM</sup>	Stealth <sup>TM</sup>	
CROSSVOLT <sup>TM</sup>	GlobalOptoisolator <sup>TM</sup>	POP <sup>TM</sup>	SuperSOT <sup>TM</sup> -3	
DenseTrench <sup>TM</sup>	GTO <sup>TM</sup>	Power247 <sup>TM</sup>	SuperSOT <sup>TM</sup> -6	
DOMET <sup>TM</sup>	HiSeC <sup>TM</sup>	PowerTrench <sup>®</sup>	SuperSOT <sup>TM</sup> -8	
EcoSPARK <sup>TM</sup>	ISOPLANAR <sup>TM</sup>	QFET <sup>TM</sup>	SyncFET <sup>TM</sup>	
E <sup>2</sup> CMOS <sup>TM</sup>	LittleFET <sup>TM</sup>	QST <sup>TM</sup>	TinyLogic <sup>TM</sup>	
EnSigna <sup>TM</sup>	MicroFET <sup>TM</sup>	QT Optoelectronics <sup>TM</sup>	TruTranslation <sup>TM</sup>	
FACT <sup>TM</sup>	MicroPak <sup>TM</sup>	Quiet Series <sup>TM</sup>	UHC <sup>TM</sup>	
FACT Quiet Series <sup>TM</sup>	MICROWIRE <sup>TM</sup>	SILENT SWITCHER <sup>®</sup>	UltraFET <sup>®</sup>	

STAR\*POWER is used under license

## DISCLAIMER

FAIRCHILD SEMICONDUCTOR RESERVES THE RIGHT TO MAKE CHANGES WITHOUT FURTHER NOTICE TO ANY PRODUCTS HEREIN TO IMPROVE RELIABILITY, FUNCTION OR DESIGN. FAIRCHILD DOES NOT ASSUME ANY LIABILITY ARISING OUT OF THE APPLICATION OR USE OF ANY PRODUCT OR CIRCUIT DESCRIBED HEREIN; NEITHER DOES IT CONVEY ANY LICENSE UNDER ITS PATENT RIGHTS, NOR THE RIGHTS OF OTHERS.

## LIFE SUPPORT POLICY

FAIRCHILD'S PRODUCTS ARE NOT AUTHORIZED FOR USE AS CRITICAL COMPONENTS IN LIFE SUPPORT DEVICES OR SYSTEMS WITHOUT THE EXPRESS WRITTEN APPROVAL OF FAIRCHILD SEMICONDUCTOR CORPORATION.

As used herein:

1. Life support devices or systems are devices or systems which, (a) are intended for surgical implant into the body, or (b) support or sustain life, or (c) whose failure to perform when properly used in accordance with instructions for use provided in the labeling, can be reasonably expected to result in significant injury to the user.
2. A critical component is any component of a life support device or system whose failure to perform can be reasonably expected to cause the failure of the life support device or system, or to affect its safety or effectiveness.

## PRODUCT STATUS DEFINITIONS

### Definition of Terms

Datasheet Identification	Product Status	Definition
Advance Information	Formative or In Design	This datasheet contains the design specifications for product development. Specifications may change in any manner without notice.
Preliminary	First Production	This datasheet contains preliminary data, and supplementary data will be published at a later date. Fairchild Semiconductor reserves the right to make changes at any time without notice in order to improve design.
No Identification Needed	Full Production	This datasheet contains final specifications. Fairchild Semiconductor reserves the right to make changes at any time without notice in order to improve design.
Obsolete	Not In Production	This datasheet contains specifications on a product that has been discontinued by Fairchild semiconductor. The datasheet is printed for reference information only.