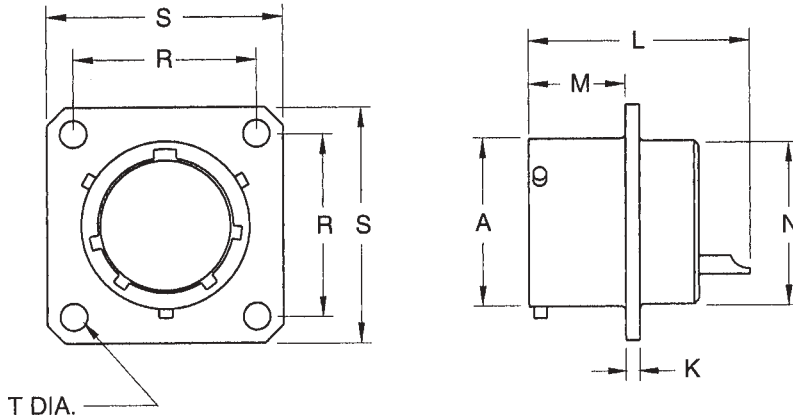


Series PW02/MS 3112 Box Mount Receptacle



Application: Box Mount Receptacle. Suggested mates are PW06/MS3116 and PW08 styles.
For printed circuit board terminations, see page 7.

DIMENSIONS IN INCHES								
SHELL SIZE	A ±.003	K ± .010	L MAX.	M +.031 -.000	N ± .015	R (Tp)	S MAX.	T ± .005
8	.471	.062	.978	.431	.438	.594	.828	.120
10	.588	.062	.978	.431	.558	.719	.954	.120
12	.748	.062	.978	.431	.688	.812	1.047	.120
14	.873	.062	.978	.431	.812	.906	1.141	.120
16	.998	.062	.978	.431	.938	.969	1.234	.120
18	1.123	.062	.978	.431	1.062	1.062	1.328	.120
20	1.248	.094	1.196	.556	1.188	1.156	1.453	.120
22	1.373	.094	1.196	.556	1.312	1.250	1.578	.120
24	1.498	.094	1.196	.589	1.438	1.375	1.703	.147

DIMENSIONS IN MILLIMETERS								
SHELL SIZE	A ±.076	K ±.254	L MAX.	M +.787 -.000	N ±.381	R (Tp)	S MAX.	T ±.127
8	12.01	1.57	24.84	10.95	11.13	15.09	21.03	3.05
10	14.99	1.57	24.84	10.95	14.27	18.26	24.23	3.05
12	19.05	1.57	24.84	10.95	17.48	20.62	26.59	3.05
14	22.23	1.57	24.84	10.95	20.62	23.01	28.98	3.05
16	25.40	1.57	24.84	10.95	23.83	24.61	31.34	3.05
18	28.58	1.57	24.84	10.95	26.97	26.97	33.73	3.05
20	31.75	2.39	30.38	14.12	30.18	29.36	36.91	3.05
22	34.93	2.39	30.38	14.12	33.32	31.75	40.08	3.05
24	38.10	2.39	30.38	14.96	36.53	34.93	43.26	3.73