

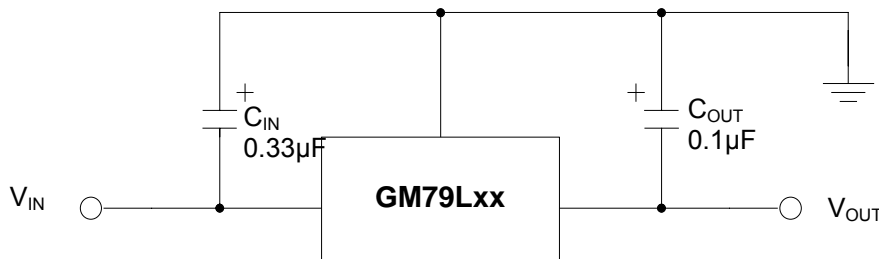
### Description

The GM79L00 series of fixed-voltage monolithic integrated circuit voltage regulators is designed for a wide range of applications. These applications include on-card regulation for elimination of noise and distribution problems associated with single-point regulation. In addition, they can be used with power-pass elements to make high-current voltage regulators. Each of these regulators can deliver up to 100mA of output current. The internal limiting and thermal shutdown features of these regulators make them essentially immune to overload. When used as a replacement for a Zener diodes-resistor combination, an effective improvement in output impedance can be obtained together with lower-bias current..

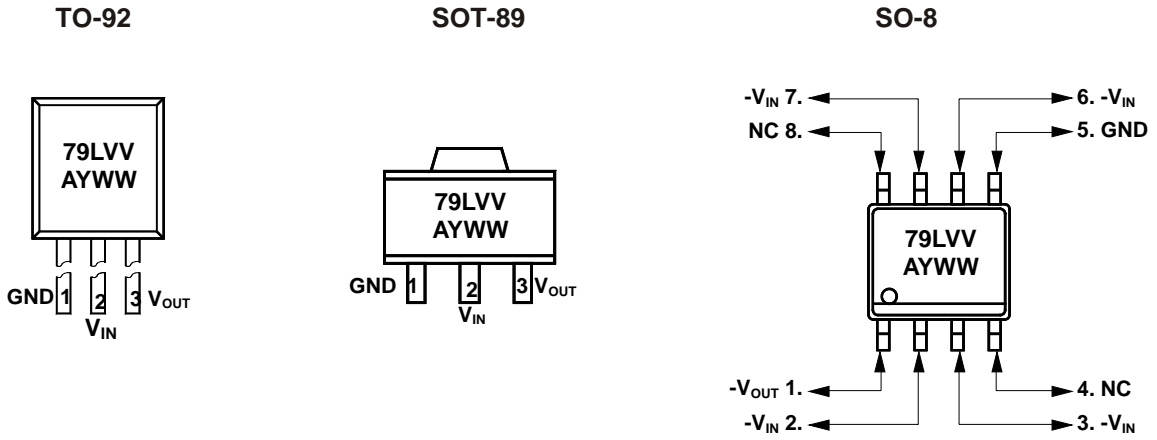
### Features

- ◆ **Maximum output current up to 100mA**
- ◆ **Fixed output voltage options: -5V, -6V, -8V, -9V, -12V, -15V, -18V and -24V**
- ◆ **No external components required**
- ◆ **Internal thermal overload protection**
- ◆ **Internal short circuit current limiting**
- ◆ **Available in TO-92, SOT-89 and SOP-8 packages**

### Typical Application Circuit



### Marking Information and Pin Configurations (Top View)



VV: Output Voltage Codes (05: -5.0V, ... 12:-12V)  
 A: Assembly/Test Site Code  
 Y: Year  
 WW: Week

### Ordering Information

Ordering Number	V <sub>OUT</sub>	Package	Shipping
GM79L00T92B	<b>00</b> = -5.0V -6.0V -8.0V -9.0V -10.0V -12.0V -15.0V -18.0V -24.0V	TO-92	1,000 Units/ESD Bag
GM79L00T92RL		TO-92	2,000 Units/Ammo Pack (Tape)
GM79L00ST89R		SOT-89	1,000 Units/Tape and Reel
GM79L00S8T		SO-8	100 Units/Tube
GM79L00S8R		SO-8	100 Units/Tube
			2,500 Units/Tape & Reel

### Absolute Maximum Ratings

PARAMETER		SYMBOL	RATINGS	UNITS
Input Voltage	GM79L05 to GM79L09	$V_I$	30	V
	GM79L12 to GM79L18		35	
	GM79L24		40	
Operating Ambient Temperature		$T_A$	0 to 125	°C
Storage Temperature		$T_{stg}$	- 60 to 150	°C

### Recommended Operating Conditions

PARAMETER		SYMBOL	Min	Max	UNITS
Input Voltage	GM79L05	$V_I$	-7	-20	V
	GM79L06		-8	-20	
	GM79L08		-10.5	23	
	GM79L09		-12	-24	
	GM79L12		-14.5	-27	
	GM79L15		-17.5	-30	
	GM79L18		-20.5	-33	
	GM79L24		-27	-38	
Output Current		$I_O$		100	mA
Operating Ambient Temperature		$T_A$	0	125	°C

### GM79L05 Electrical Characteristics ( $V_I = -10V$ , $I_O = 40mA$ unless otherwise noted)

Parameter	Test Condition		Min	Typ	Max	Unit
Output Voltage		25°C	-4.8	-5.0	-5.2	V
	$I_O = 1mA$ to 40mA $V_I = -7V$ to -20V	0°C to 125°C	-4.75	-5.0	-5.25	
	$I_O = 1mA$ to 70mA		-4.75	-5.0	-5.25	
Input Regulation	$V_I = -7V$ to -20V	25°C		15	150	mV
	$V_I = -8V$ to -20V			12	100	
Ripple Rejection	$V_I = -8V$ to -18V, $f = 120KHz$	25°C	41	49		dB
Output Regulation	$I_O = 1mA$ to 100mA	25°C		20	60	mV
	$I_O = 1mA$ to 40mA			10	30	
Output Noise Voltage	$F = 10Hz$ to 100KHz	25°C		40		μV
Dropout Voltage		25°C		1.7		V
Bias Current		25°C		3.8	6	mA
		125°C			5.5	
Bias Current Change	$V_I = -8V$ to -20V	0°C to 125°C			1.5	mA
	$I_O = 1mA$ to 40mA				0.1	

### GM79L06 Electrical Characteristics ( $V_I = -11V$ , $I_O = 40mA$ unless otherwise noted)

Parameter	Test Condition		Min	Typ	Max	Unit
Output Voltage		25°C	-5.75	-6.0	-6.25	V
	$I_O = 1mA$ to 40mA $V_I = -8V$ to -20V	0°C to 125°C	-5.70	-6.0	-6.30	
	$I_O = 1mA$ to 70mA		-5.70	-6.0	-6.30	
Input Regulation	$V_I = -8V$ to -20V	25°C		20	175	mV
	$V_I = -9V$ to -20V			15	125	
Ripple Rejection	$V_I = -9V$ to -18V, $f = 120KHz$	25°C	40	48		dB
Output Regulation	$I_O = 1mA$ to 100mA	25°C		21	80	mV
	$I_O = 1mA$ to 40mA			11	40	
Output Noise Voltage	$F = 10Hz$ to 100KHz	25°C		44		μV
Dropout Voltage		25°C		1.7		V
Bias Current		25°C		3.9	6	mA
		125°C			5.5	
Bias Current Change	$V_I = -9V$ to -20V	0°C to 125°C			1.5	mA
	$I_O = 1mA$ to 40mA				0.1	

### GM79L08 Electrical Characteristics ( $V_I = -14V$ , $I_O = 40mA$ unless otherwise noted)

Parameter	Test Condition	Min	Typ	Max	Unit	
Output Voltage	25°C	-7.7	-8.0	-8.3	V	
	$I_O = 1mA$ to 40mA $V_I = -10.5V$ to -23V	0°C to 125°C	-7.6	-8.0		-8.4
	$I_O = 1mA$ to 70mA		-7.6	-8.0		-8.4
Input Regulation	$V_I = -10.5V$ to -23V	25°C	42	200	mV	
	$V_I = -11V$ to -23V		36	150		
Ripple Rejection	$V_I = -13V$ to -23V, $f = 120KHz$	25°C	37	46	dB	
Output Regulation	$I_O = 1mA$ to 100mA	25°C	30	100	mV	
	$I_O = 1mA$ to 40mA		15	50		
Output Noise Voltage	$F = 10Hz$ to 100KHz	25°C	54		$\mu V$	
Dropout Voltage	25°C		1.7		V	
Bias Current	25°C			6	mA	
	125°C			5.5		
Bias Current Change	$V_I = 11V$ to 23V	0°C to 125°C			1.5	mA
	$I_O = 1mA$ to 40mA				0.1	

### GM79L09 Electrical Characteristics ( $V_I = -16V$ , $I_O = 40mA$ unless otherwise noted)

Parameter	Test Condition	Min	Typ	Max	Unit	
Output Voltage	25°C	-8.6	-9.0	-9.4	V	
	$I_O = 1mA$ to 40mA $V_I = -12V$ to -24V	0°C to 125°C	-8.55	-9.0		-9.45
	$I_O = 1mA$ to 70mA		-8.55	-9.0		-9.45
Input Regulation	$V_I = -12V$ to -24V	25°C	45	175	mV	
	$V_I = -13V$ to -24V		40	125		
Ripple Rejection	$V_I = -15V$ to -24V, $f = 120KHz$	25°C	40	45	dB	
Output Regulation	$I_O = 1mA$ to 100mA	25°C	30	100	mV	
	$I_O = 1mA$ to 40mA		15	50		
Output Noise Voltage	$F = 10Hz$ to 100KHz	25°C	62		$\mu V$	
Dropout Voltage	25°C		1.7		V	
Bias Current	25°C			6.2	mA	
	125°C			5.7		
Bias Current Change	$V_I = -13V$ to -24V	0°C to 125°C			1.5	mA
	$I_O = 1mA$ to 40mA				0.1	

### GM79L12 Electrical Characteristics ( $V_I = -19V$ , $I_O = 40mA$ unless otherwise noted)

Parameter	Test Condition	Min	Typ	Max	Unit	
Output Voltage	25°C	-11.5	-12	-12.5	V	
	$I_O = 1mA$ to 40mA $V_I = -14V$ to -27V	0°C to 125°C	-11.4	-12		-12.6
	$I_O = 1mA$ to 70mA		-11.4	-12		-12.6
Input Regulation	$V_I = -14V$ to -27V	25°C		50	250	mV
	$V_I = -16V$ to -27V			40	200	
Ripple Rejection	$V_I = -15V$ to -25V, $f = 120KHz$	25°C	37	42	dB	
Output Regulation	$I_O = 1mA$ to 100mA	25°C		24	100	mV
	$I_O = 1mA$ to 40mA			15	50	
Output Noise Voltage	$F = 10Hz$ to 100KHz	25°C		80	μV	
Dropout Voltage		25°C		1.7	V	
Bias Current		25°C		6.5	mA	
		125°C		6		
Bias Current Change	$V_I = -16V$ to -27V	0°C to 125°C		1.5	mA	
	$I_O = 1mA$ to 40mA			0.1		

### GM79L15 Electrical Characteristics ( $V_I = -23V$ , $I_O = 40mA$ unless otherwise noted)

Parameter	Test Condition	Min	Typ	Max	Unit	
Output Voltage	25°C	-14.4	-15	-15.6	V	
	$I_O = 1mA$ to 40mA $V_I = -17.5V$ to -30V	0°C to 125°C	-14.25	-15		-15.75
	$I_O = 1mA$ to 70mA		-14.25	-15		-15.75
Input Regulation	$V_I = -17.5V$ to -30V	25°C		60	300	mV
	$V_I = -19V$ to -30V			50	250	
Ripple Rejection	$V_I = -18.5V$ to -28.5V, $f = 120KHz$	25°C	34	39	dB	
Output Regulation	$I_O = 1mA$ to 100mA	25°C		25	150	mV
	$I_O = 1mA$ to 40mA			15	75	
Output Noise Voltage	$F = 10Hz$ to 100KHz	25°C		90	μV	
Dropout Voltage		25°C		1.7	V	
Bias Current		25°C		4.6	6.5	mA
		125°C			6	
Bias Current Change	$V_I = -19V$ to -30V	0°C to 125°C		1.5	mA	
	$I_O = 1mA$ to 40mA			0.1		

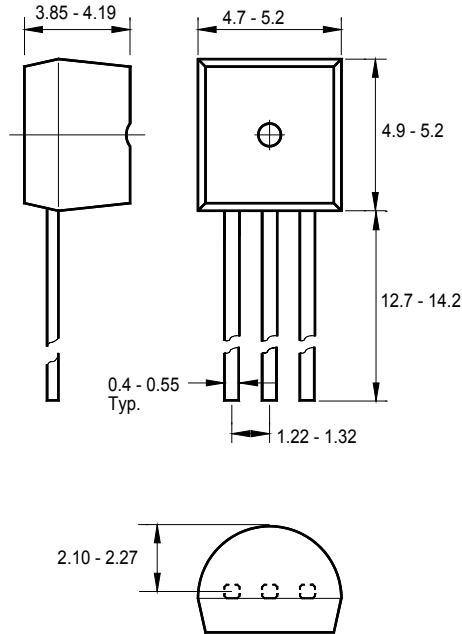
### GM79L18 Electrical Characteristics ( $V_I = -26V$ , $I_O = 40mA$ unless otherwise noted)

Parameter	Test Condition	Min	Typ	Max	Unit	
Output Voltage	25°C	-17.3	-18	-18.7	V	
	$I_O = 1mA$ to 40mA $V_I = -20.5V$ to -33V	0°C to 125°C	-17.1	-18		-18.9
	$I_O = 1mA$ to 70mA		-17.1	-18		-18.9
Input Regulation	$V_I = -20.5V$ to -33V	25°C	70	325	mV	
	$V_I = -22V$ to -33V		60	275		
Ripple Rejection	$V_I = -21.5V$ to -31.5V, $f = 120KHz$	25°C	33	49	dB	
Output Regulation	$I_O = 1mA$ to 100mA	25°C	27	170	mV	
	$I_O = 1mA$ to 40mA		19	85		
Output Noise Voltage	$F = 10Hz$ to 100KHz	25°C	150		μV	
Dropout Voltage		25°C	1.7		V	
Bias Current		25°C		6.5	mA	
		125°C		6		
Bias Current Change	$V_I = -22V$ to -33V	0°C to 125°C		1.5	mA	
	$I_O = 1mA$ to 40mA			0.1		

### GM79L24 Electrical Characteristics ( $V_I = -32V$ , $I_O = 40mA$ unless otherwise noted)

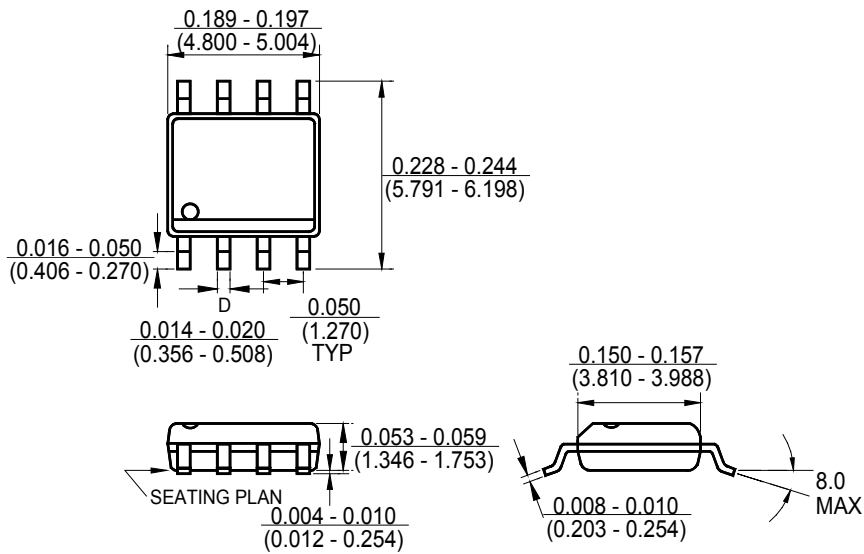
Parameter	Test Condition	Min	Typ	Max	Unit	
Output Voltage	25°C	-23	-24	-25	V	
	$I_O = 1mA$ to 40mA $V_I = -27V$ to -38V	0°C to 125°C	-22.8	-24		-25.2
	$I_O = 1mA$ to 70mA		-22.8	-24		-25.2
Input Regulation	$V_I = -27V$ to -38V	25°C	90	350	mV	
	$V_I = -29V$ to -39V		75	300		
Ripple Rejection	$V_I = -29V$ to -35V, $f = 120KHz$	25°C	31	47	dB	
Output Regulation	$I_O = 1mA$ to 100mA	25°C	40	200	mV	
	$I_O = 1mA$ to 40mA		25	100		
Output Noise Voltage	$f = 10Hz$ to 100KHz	25°C	200		μV	
Dropout Voltage		25°C	1.7		V	
Bias Current		25°C		6.5	mA	
		125°C		6		
Bias Current Change	$V_I = -28V$ to -38V	0°C to 125°C		1.5	mA	
	$I_O = 1mA$ to 40mA			0.1		

**Package Outline Dimensions – TO 92**



Dimensions are in millimeters

**Package Outline Dimensions – SO 8**





## Ordering Number

<u>GM</u>	<u>79L</u>	<u>05</u>	<u>T92</u>	<u>B</u>
APM Gamma Micro	Circuit Type	Output Voltages	Package Type	Shipping Type
		05: -5.0V 06: -6.0V 08: -8.0V 09: -9.0V 10: -10V 12: -12V 15: -15V 18: -18V 24: -24V	T92: TO-92 ST89: SOT-89 S8: SO-8	B: Bag RL: Ammo Pack (Tape) T: Tube R: Tape & Reel

Note:

### Pb-free products:

- ◆ RoHS compliant and compatible with the current requirements of IPC/JEDEC J-STD-020.
- ◆ Suitable for use in Pb-free soldering processes with 100% matte tin (Sn) plating.

### Green products:

- ◆ Lead-free (RoHS compliant)
- ◆ Halogen free (Br or Cl does not exceed 900ppm by weight in homogeneous material and total of Br and Cl does not exceed 1500ppm by weight)