

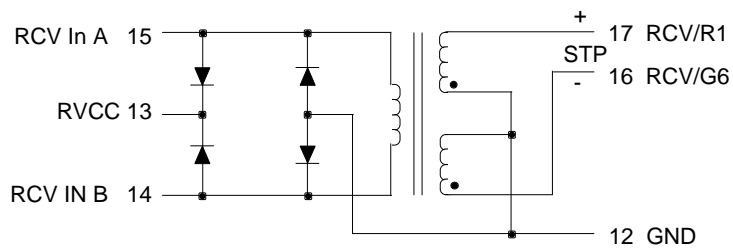
4/16 Mbps Token Ring Transmit and Receive Module

- Features
- Supports STP Transmission
 - Meets IEEE 802.5 Specifications
 - Overvoltage Protection Circuit

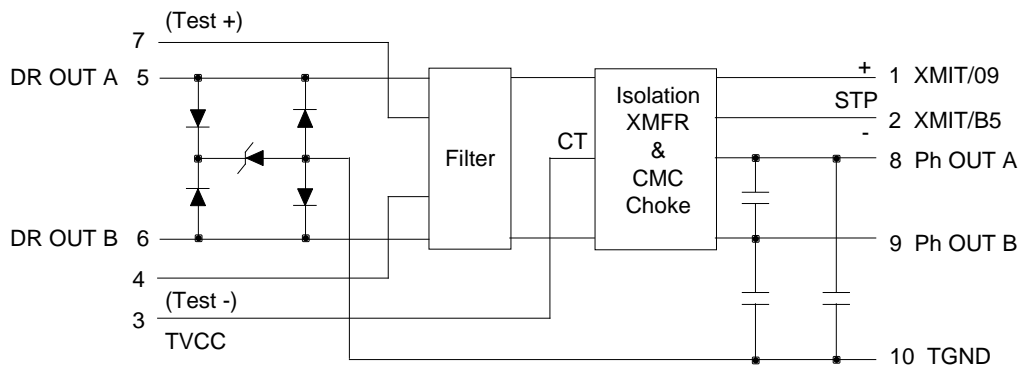
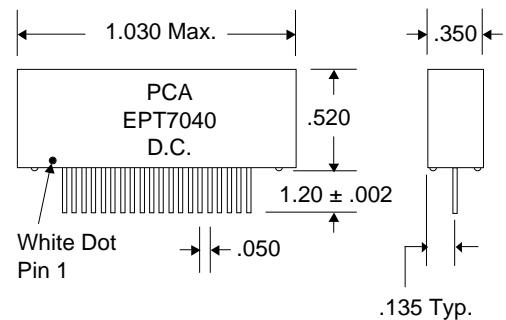
PCA Part Number(s)		EPT7040			
Electrical Specifications @ 25°C					
Parameter	Frequency	Specification	XMIT	RCV	Unit
Cut-off Frequency					MHz
Insertion Loss	1-16 MHz	-0.8			dB Max.
	32 MHz	-0.7			dB Min.
	44 MHz	-15.0			dB Min.
	48 MHz	-25.0			dB Min.
Return Loss	1-17 MHz	-14.0			dB Min.
	25 MHz	-8.0			dB Min.
Common-Common Rej.	1-64 MHz	30.0			dB Min.
Impedance Ratio	N/A	Input	600	150	
Isolation		500			Volts
Notes :					

Schematic

DataSheet4U.com



SIP Package



DST7040 Rev. A 9/21/95

QAF-CS07d 9/9/94

Unless Otherwise Noted
Dimensions in Inches
Tolerances: Fractional = $\pm 1/32$
.XX = $\pm .030$.XXX = $\pm .010$



16799 SCHOENBORN ST.
NORTH HILLS, CA 91343

TEL: (818) 892-0761
FAX: (818) 894-5794
WEB: <http://www.pcainc.com>