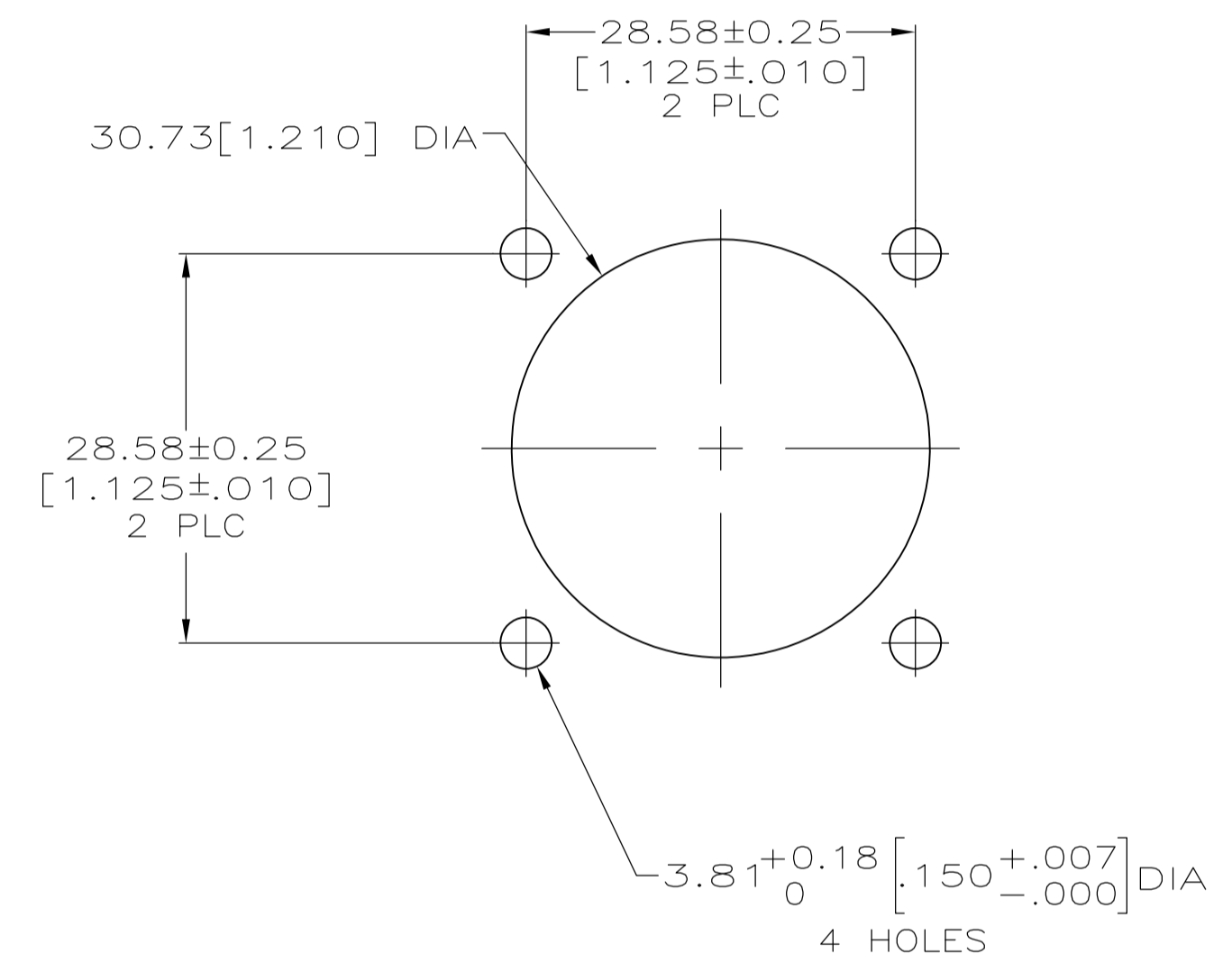
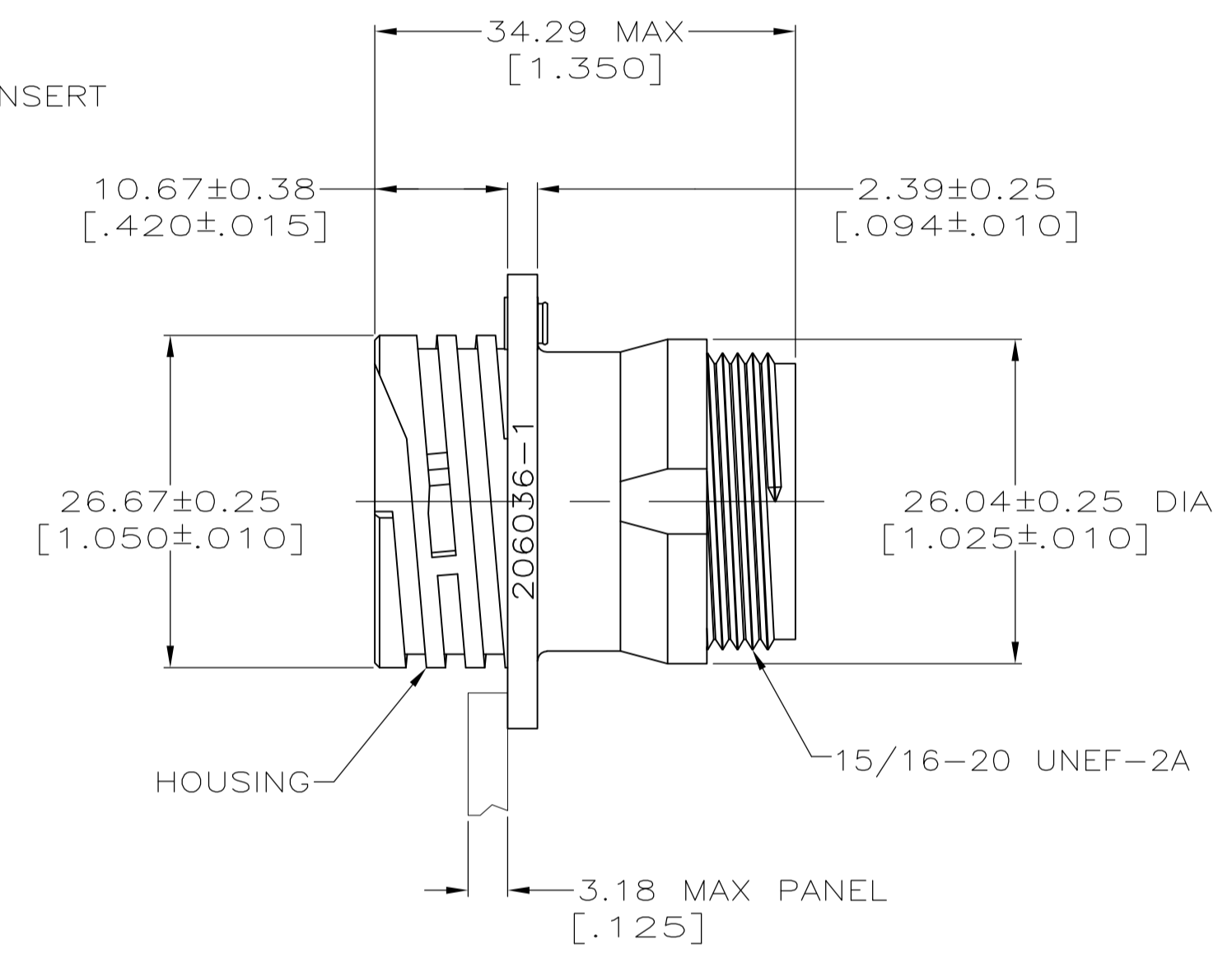
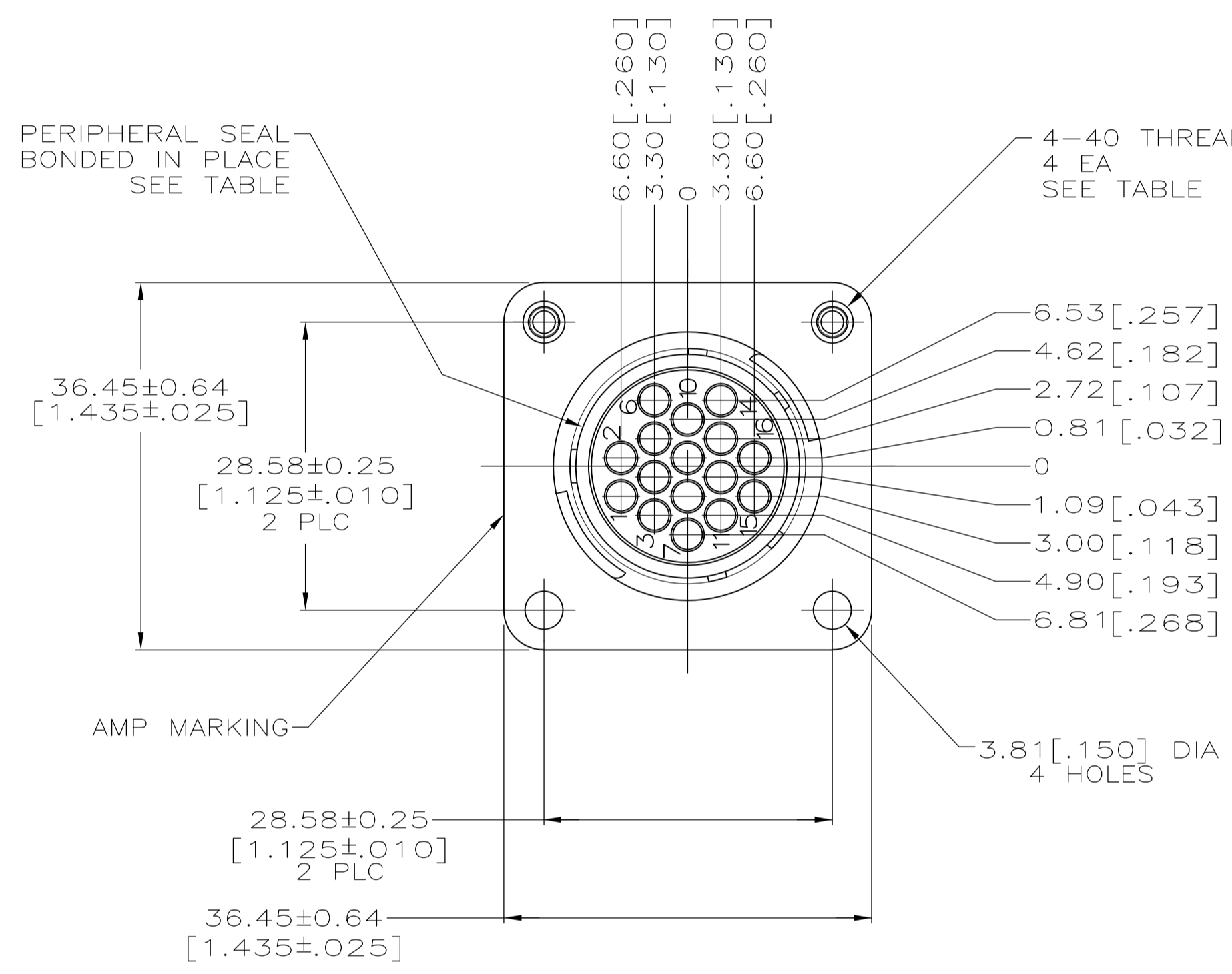


- △ HOUSING: NYLON, BLACK.  
PERIPHERAL SEAL: ELASTOMER, GRAY.  
THREADED INSERTS: BRASS.
- 2. CAVITY IDENTIFICATION ON FRONT AND REAR FACE.
- 3. WILL ACCEPT (16) MULTIMATE PIN CONTACTS.
- △ HOUSING: NYLON, BLUE.  
PERIPHERAL SEAL: ELASTOMER, GRAY.  
THREADED INSERTS: BRASS.
- △ OBSOLETE PARTS: OBSOLETE CIS STREAMLINING PER D.RENAUD/D.SINISI



RECOMMENDED PANEL CUTOUT

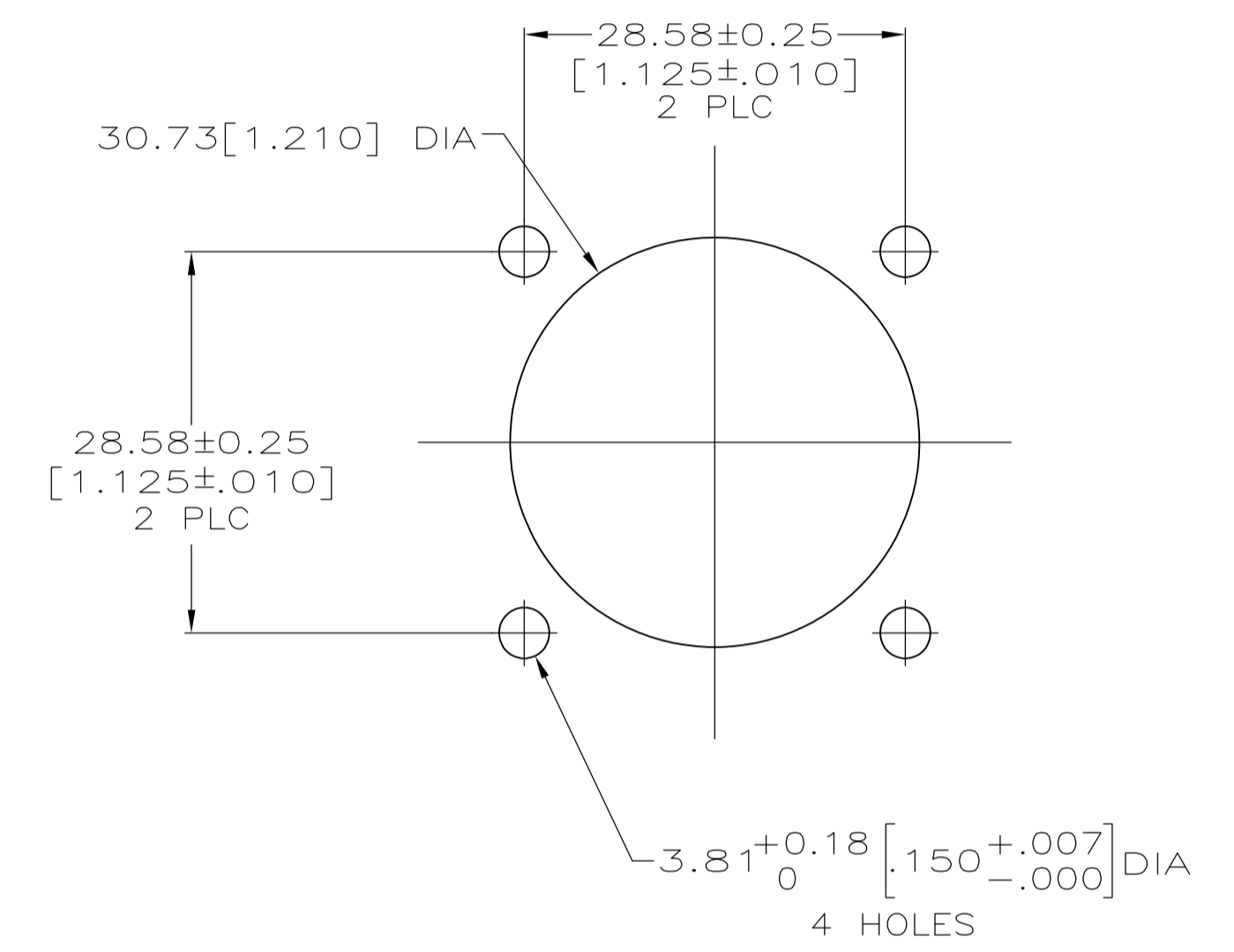
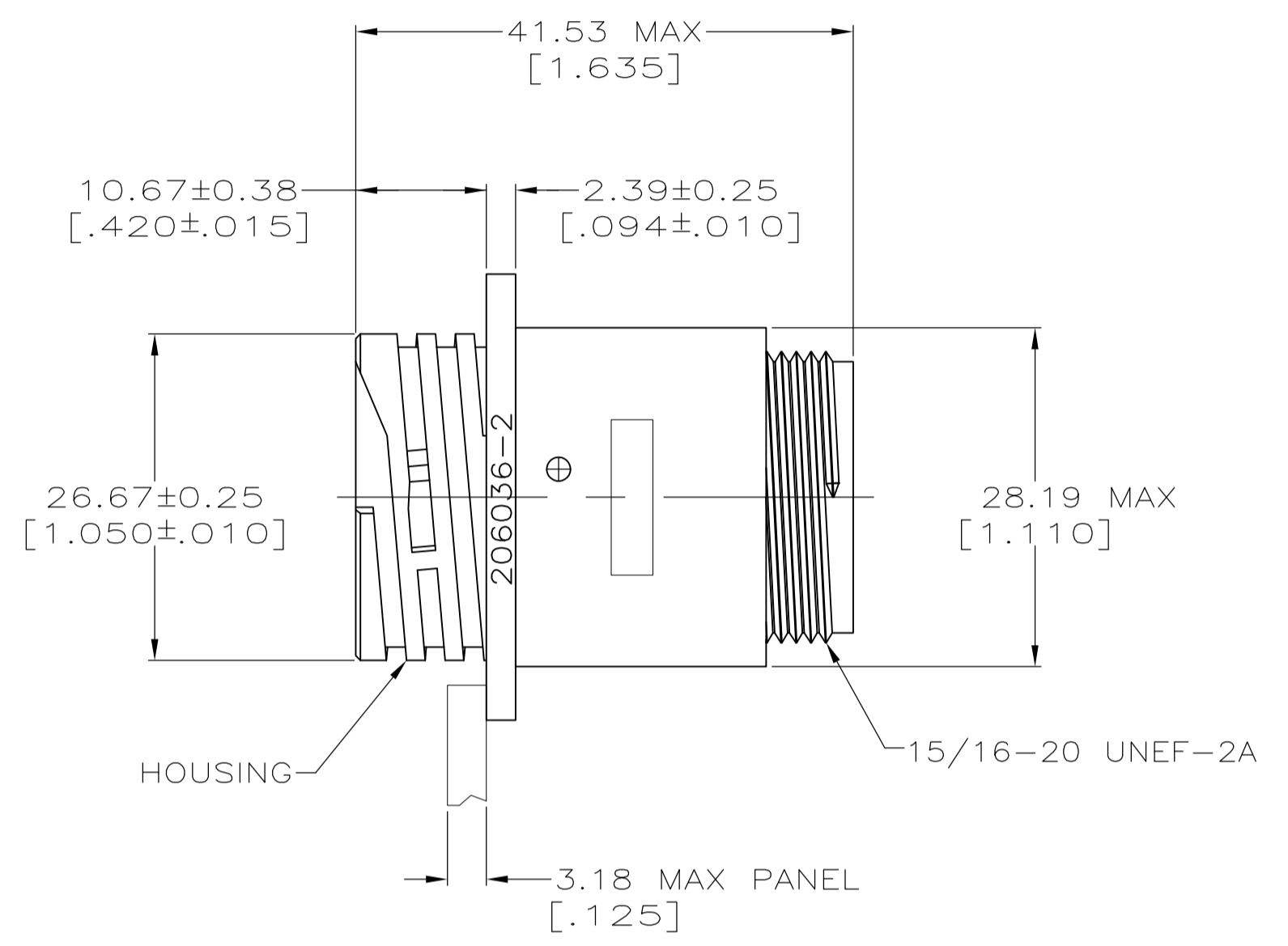
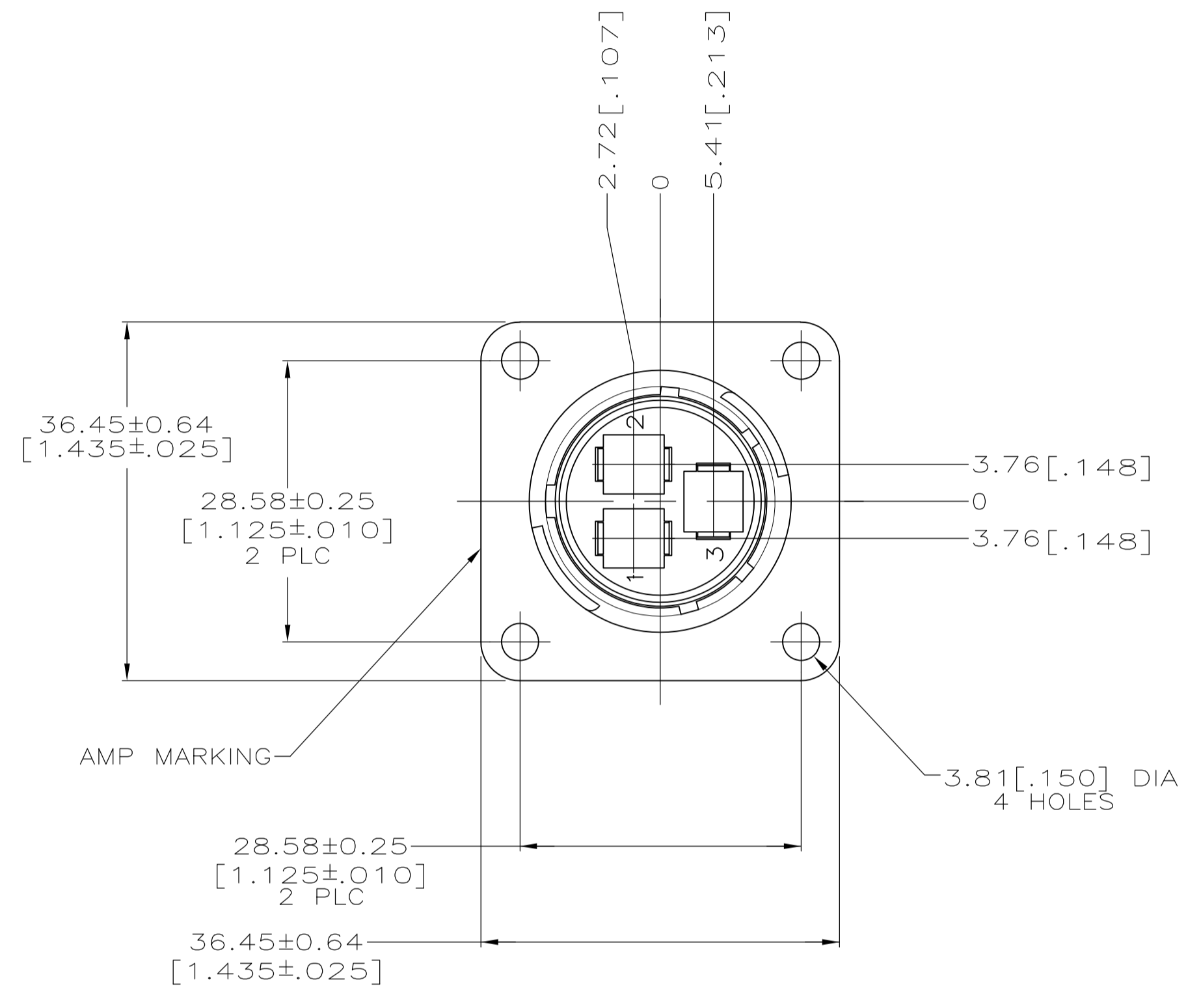
△ OBSOLETE	△	STANDARD	NO	YES	206036-9
	△	STANDARD	YES	NO	206036-8
	△	SMALL PACK	NO	NO	206036-7
	△	STANDARD	NO	YES	206036-4
	△	STANDARD	NO	NO	206036-1
MATERIAL	PACKAGING	4-40 THREADED INSERTS	PERIPHERAL SEAL	PART NUMBER	

THIS DRAWING IS A CONTROLLED DOCUMENT.

DIMENSIONS: mm [INCHES]	TOLERANCES UNLESS OTHERWISE SPECIFIED:	DIN D. GELTZ 07/27/93	APVO R. STONE 7-22-93	STE TE Connectivity
0 PLC ± -	1 PLC ± -	APVO A. FRANTUM 8-12-93	NAME	RECEPTACLE HOUSING, STD SEX, SHELL SIZE 17, CPC
2 PLC ± 0.13 [.005]	3 PLC ± -	APPLICATION SPEC	SIZE	108-10024
4 PLC ± -	ANGLES ± -	WEIGHT	CAGE CODE	100779
MATERIAL	FINISH	CUSTOMER DRAWING	DRAWING NO	206036
		SCALE	SHEET	REV
		2:1	1 OF 3	R2

LOC	DIST	REVISIONS					
FT	0	P	LTR	DESCRIPTION	DATE	DN	APVO
-	-	-	-	SEE SHEET 1	-	-	-

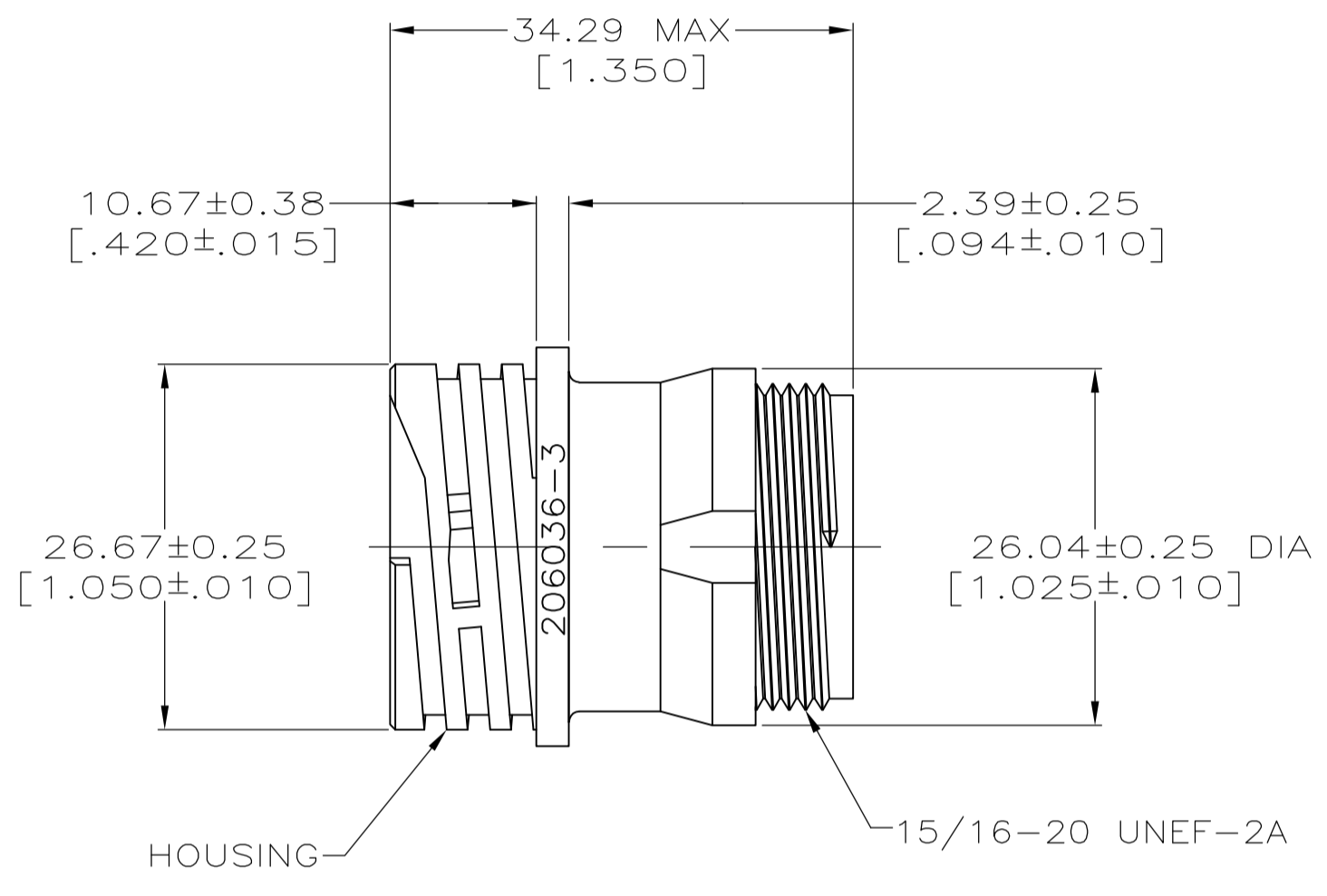
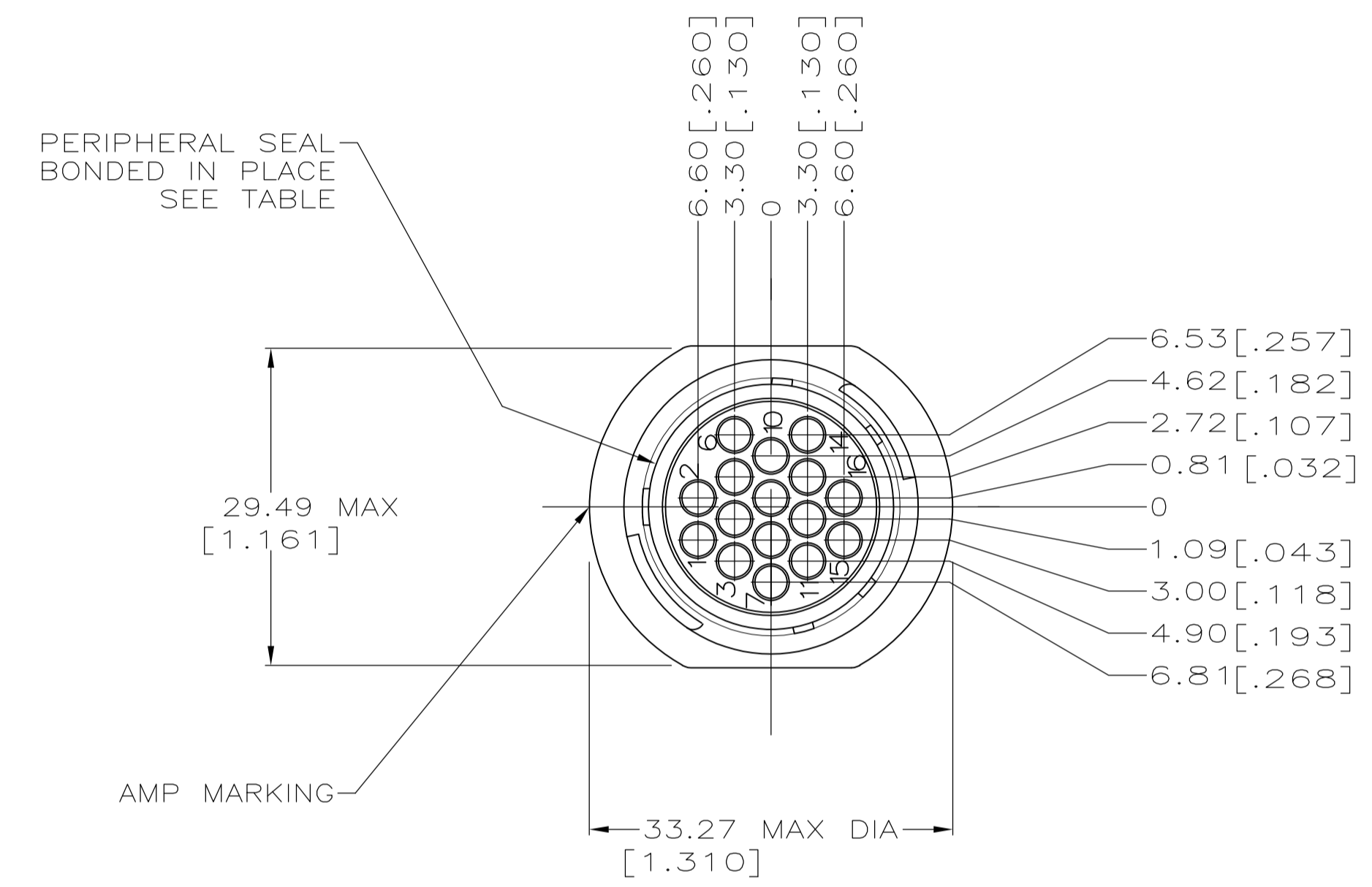
- NOTES:
1. CAVITY IDENTIFICATION ON FRONT AND REAR FACE.
  2. WILL ACCEPT (3) TYPE XII PIN CONTACTS.
- ⚠ HOUSING: NYLON, BLACK.  
PERIPHERAL SEAL: ELASTOMER, GRAY.



⚠	206036-2
MATERIAL	PART NUMBER

THIS DRAWING IS A CONTROLLED DOCUMENT.		DIN D. GELTZ 07/27/93	RECEPTACLE HOUSING, STD SEX, SHELL SIZE 17, CPC	
DIMENSIONS: mm [INCHES]		CHK R. STONE 7-22-93	STE TE Connectivity	
TOLERANCES UNLESS OTHERWISE SPECIFIED:		APVO A. FRANTUM 8-12-93	NAME	
0 PLC ± -	1 PLC ± -	PRODUCT SPEC		
2 PLC ± 0.13 [.005]	3 PLC ± -	APPLICATION SPEC		
4 PLC ± -	ANGLES ± -	SIZE	CAGE CODE	DRAWING NO
MATERIAL -	FINISH -	WEIGHT -	A1 00779	206036
CUSTOMER DRAWING		SCALE 2:1	SHEET 2 OF 3	REV R2

- NOTES:**
1. CAVITY IDENTIFICATION ON FRONT AND REAR FACE.
  2. WILL ACCEPT (16) MULTIMATE PIN CONTACTS.
  3. HOUSING: NYLON, BLACK.  
PERIPHERAL SEAL: ELASTOMER, GRAY.
  4. HOUSING: POLYESTER, PBT, BLACK.  
PERIPHERAL SEAL: ELASTOMER, GRAY.



OBSOLETE	4	NO	1-206036-3
	3	YES	206036-5
	3	NO	206036-3
		MATERIAL	PERIPHERAL SEAL
			PART NUMBER

THIS DRAWING IS A CONTROLLED DOCUMENT.		DIN D. GELTZ 7-27-93	TE Connectivity	
DIMENSIONS: mm [INCHES]		CIK R. STONE 7-22-93	NAME RECEPTACLE HOUSING, STD SEX, SHELL SIZE 17, CPC	
TOLERANCES UNLESS OTHERWISE SPECIFIED:		APVD A. FRANTUM 8-12-93	PRODUCT SPEC 108-10024	
0 PLC ± -		APPLICATION SPEC		
1 PLC ± -		SIZE A1		
2 PLC ± 0.13 [.005]		CAGE CODE 00779		
3 PLC ± -		DRAWING NO 206036		
4 PLC ± -		RESTRICTED TO		
ANGLES ± -		WEIGHT		
FINISH		CUSTOMER DRAWING		
		SCALE 2:1 SHEET 3 OF 3 REV R2		