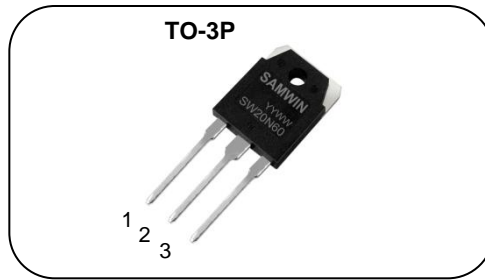


N-channel Power MOSFET

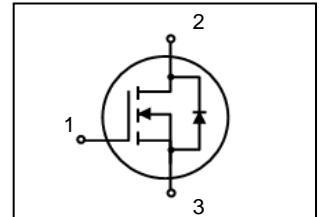
Features

- High ruggedness MOSFET
- $R_{DS(ON)}$ (Max 0.3Ω)@ $V_{GS}=10V$
- Gate Charge (Max 80 nC)
- Improved dv/dt Capability
- 100% Avalanche Tested



1. Gate 2. Drain 3. Source

BV_{DSS} : 600V
 I_D : 20A*
 $R_{DS(ON)}$: 0.3ohm



General Description

This power MOSFET is produced with advanced VDMOS technology of SAMWIN. This technology enable power MOSFET to have better characteristics, such as fast switching time, low on resistance, low gate charge and especially excellent avalanche characteristics. This power MOSFET is usually used at high efficient DC to DC converter block, high efficiency switch mode power supplies, power factor correction, electronic lamp ballast based on half bridge.

Order Codes

Item	Sales Type	Marking	Package	Packaging
1	SW W 20N60	SW20N60	TO-3P	TUBE

Absolute maximum ratings

Symbol	Parameter	SW20N60	Unit
V_{DSS}	Drain to Source Voltage	600	V
I_D	Continuous Drain Current (@ $T_C=25^\circ C$)	20	A
	Continuous Drain Current (@ $T_C=100^\circ C$)	14	A
I_{DM}	Drain current pulsed (note 1)	80	A
V_{GS}	Gate to Source Voltage	± 30	V
E_{AS}	Single pulsed Avalanche Energy (note 2)	1100	mJ
E_{AR}	Repetitive Avalanche Energy (note 1)	30	mJ
dv/dt	Peak diode Recovery dv/dt (note 3)	4.5	V/ns
P_D	Total power dissipation (@ $T_C=25^\circ C$)	300	W
	Derating Factor above 25°C	2.38	W/°C
T_{STG}, T_J	Operating Junction Temperature & Storage Temperature	-55 ~ + 175	°C
T_L	Maximum Lead Temperature for soldering purpose, 1/8 from Case for 5 seconds.	300	°C

Thermal characteristics

Symbol	Parameter	Value			Unit
		Min.	Typ.	Max.	
R_{thjc}	Thermal resistance, Junction to case			0.42	°C/W
R_{thcs}	Thermal resistance, Case to Sink	0.24			°C/W
R_{thja}	Thermal resistance, Junction to ambient			40	°C/W

Electrical characteristic ($T_C = 25^\circ\text{C}$ unless otherwise specified)

Symbol	Parameter	Test conditions	Min.	Typ.	Max.	Unit
Off characteristics						
BV_{DSS}	Drain to source breakdown voltage	$V_{GS}=0V, I_D=250\mu A$	600	-	-	V
$\Delta BV_{DSS} / \Delta T_J$	Breakdown voltage temperature coefficient	$I_D=250\mu A$, referenced to 25°C	-	-	-	$V/^\circ\text{C}$
I_{DSS}	Drain to source leakage current	$V_{DS}=600V, V_{GS}=0V$	-	-	10	μA
		$V_{DS}=480V, T_C=125^\circ\text{C}$	-	-	100	μA
I_{GSS}	Gate to source leakage current, forward	$V_{GS}=30V, V_{DS}=0V$	-	-	100	nA
	Gate to source leakage current, reverse	$V_{GS}=-30V, V_{DS}=0V$	-	-	-100	nA
On characteristics						
$V_{GS(TH)}$	Gate threshold voltage	$V_{DS}=V_{GS}, I_D=250\mu A$	3.0	-	5.0	V
$R_{DS(ON)}$	Drain to source on state resistance	$V_{GS}=10V, I_D = 10A$			0.3	Ω
Dynamic characteristics						
C_{iss}	Input capacitance	$V_{GS}=0V, V_{DS}=25V, f=1\text{MHz}$	-		3600	pF
C_{oss}	Output capacitance		-		500	
C_{rss}	Reverse transfer capacitance		-		45	
$t_{d(on)}$	Turn on delay time	$V_{DS}=300V, I_D=20A, R_G=25\Omega$	-		140	ns
t_r	Rising time		-		430	
$t_{d(off)}$	Turn off delay time		-		310	
t_f	Fall time		-		280	
Q_g	Total gate charge	$V_{DS}=600V, V_{GS}=10V, I_D=20A$	-	70	100	nC
Q_{gs}	Gate-source charge		-	20	-	
Q_{gd}	Gate-drain charge		-	35	-	

Source to drain diode ratings characteristics

Symbol	Parameter	Test conditions	Min.	Typ.	Max.	Unit
I_S	Continuous source current	Integral reverse p-n Junction diode in the MOSFET	-	-	20	A
I_{SM}	Pulsed source current		-	-	80	A
V_{SD}	Diode forward voltage drop.	$I_S=20A, V_{GS}=0V$	-	-	1.5	V
T_{rr}	Reverse recovery time	$I_S=20A, V_{GS}=0V,$	-	420	-	ns
Q_{rr}	Breakdown voltage temperature	$dI_F/dt=100A/\mu s.$	-	4.7	-	μC

※. Notes

1. Repetitive rating : pulse width limited by junction temperature.
2. $L = 6.2\text{mH}, I_{AS} = 20.0A, V_{DD} = 25V, R_G=25\Omega$, Starting $T_J = 25^\circ\text{C}$
3. $I_{SD} \leq 20A, di/dt = 200A/\mu s, V_{DD} \leq BV_{DSS}$, Starting $T_J = 25^\circ\text{C}$
4. Pulse Test : Pulse Width $\leq 300\mu s$, duty cycle $\leq 2\%$
5. Essentially independent of operating temperature.

Fig. 1. On-state characteristics

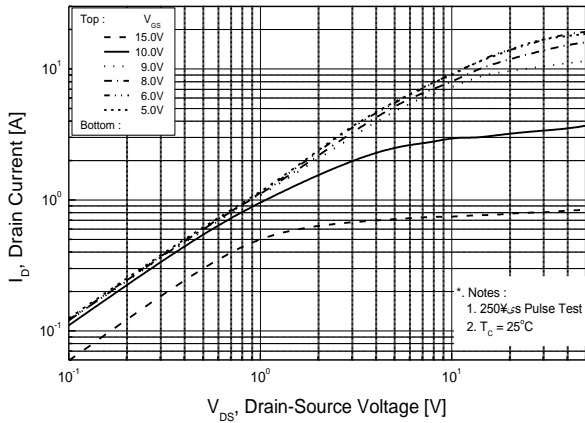


Fig. 2. Transfer characteristics

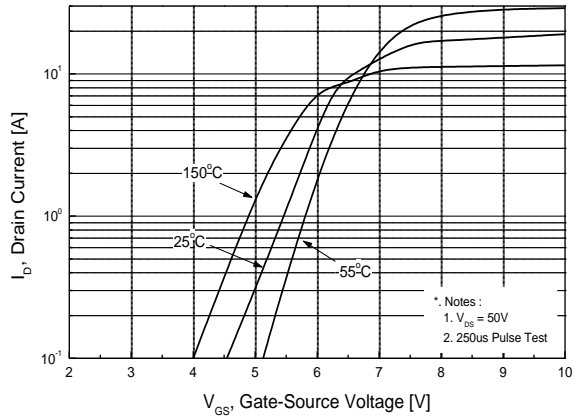


Fig. 3. On-resistance variation vs. drain current and gate voltage

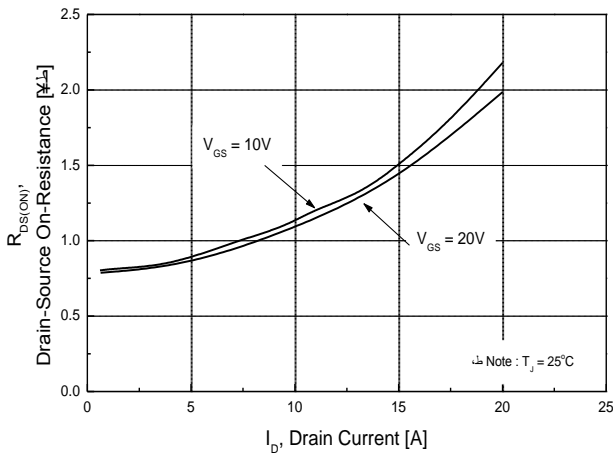


Fig. 4. On state current vs. diode forward voltage

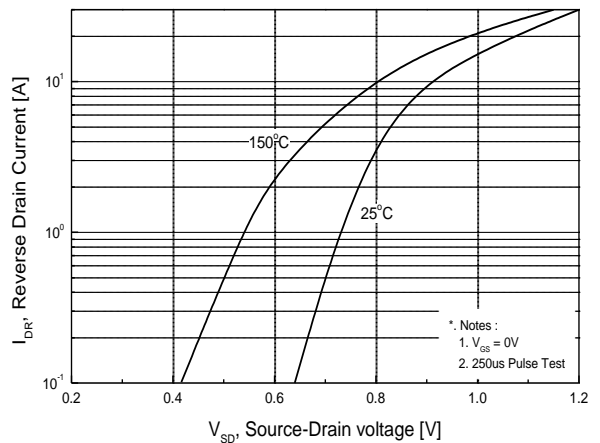


Fig. 5. Capacitance characteristics (Non-Repetitive)

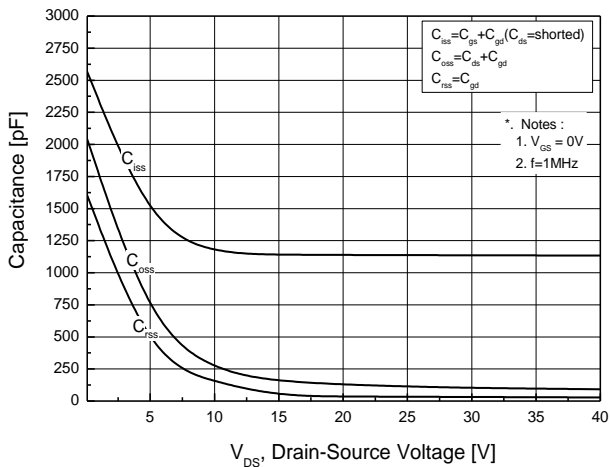


Fig. 6. Gate charge characteristics

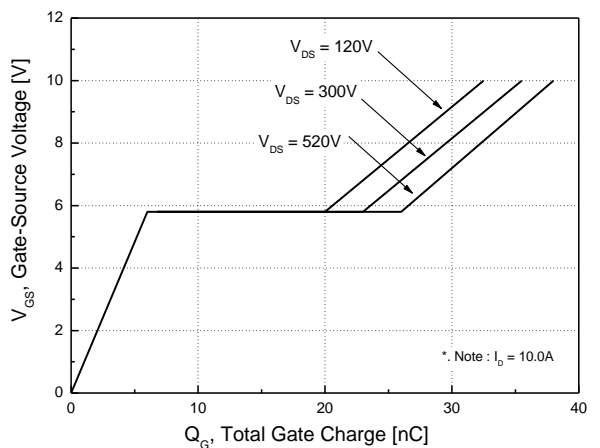


Fig 7. Breakdown Voltage Variation vs. Junction Temperature

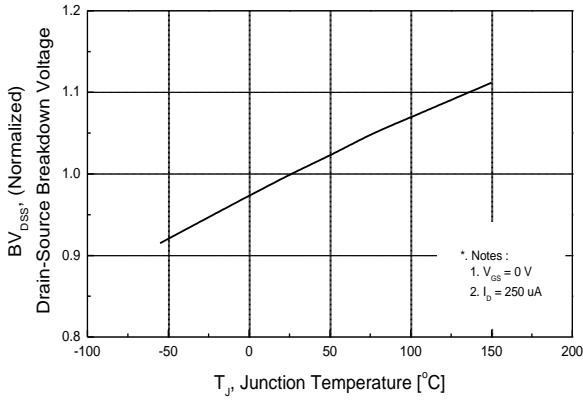


Fig. 8. On resistance variation vs. junction temperature

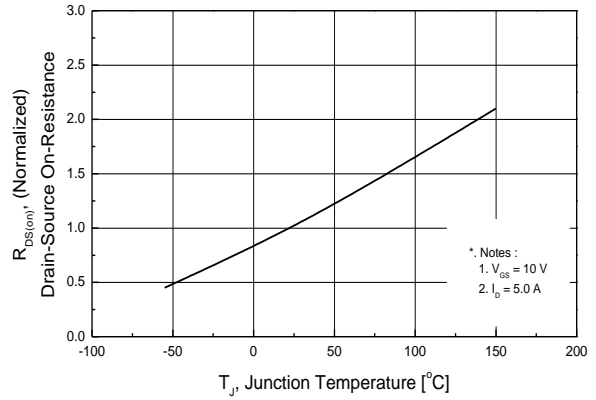


Fig. 9. Maximum drain current vs. case temperature.

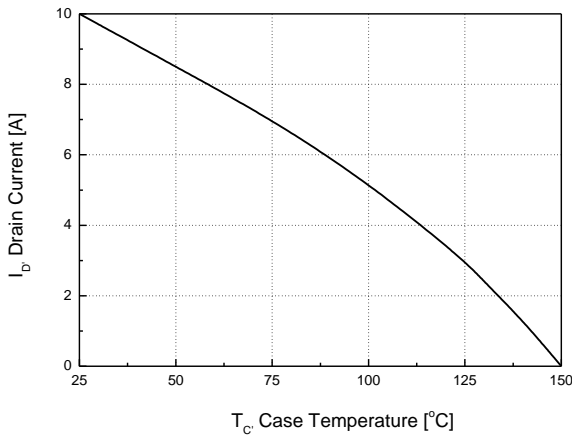


Fig. 10. Maximum safe operating area

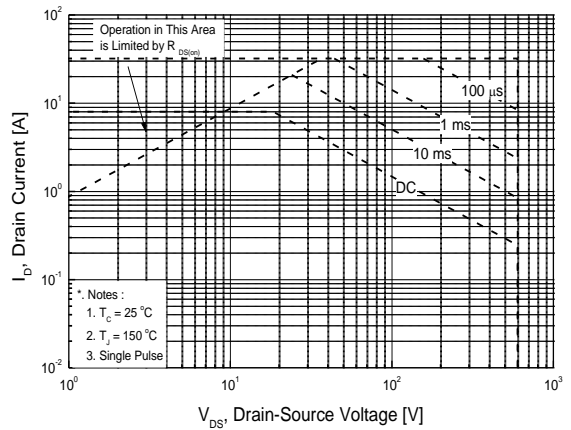


Fig. 11. Transient thermal response curve

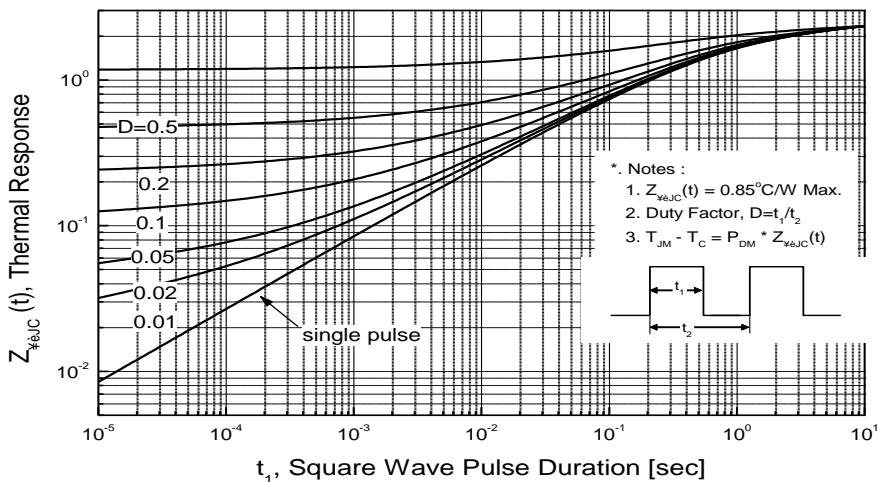


Fig. 1. Gate charge test circuit & waveform

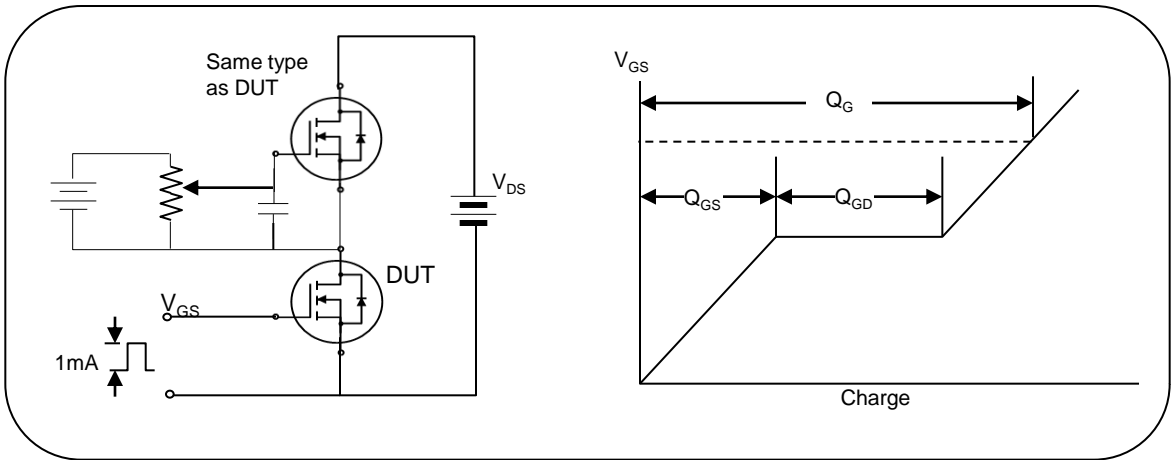


Fig. 2. Switching time test circuit & waveform

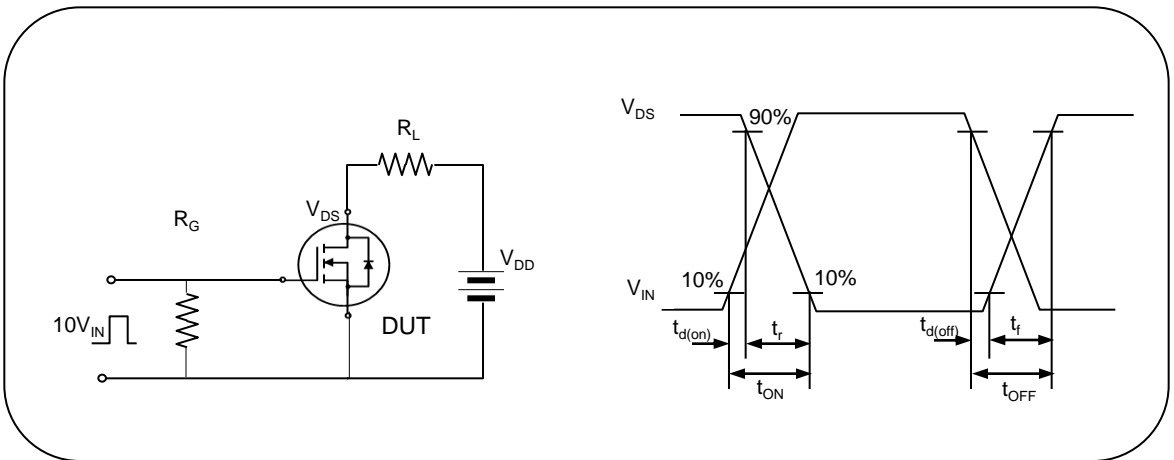


Fig. 3. Unclamped Inductive switching test circuit & waveform

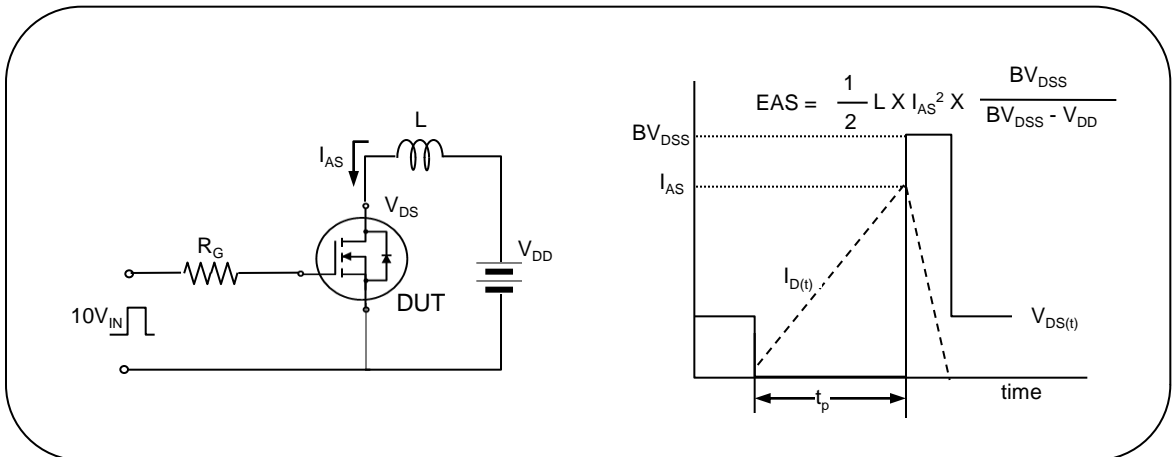
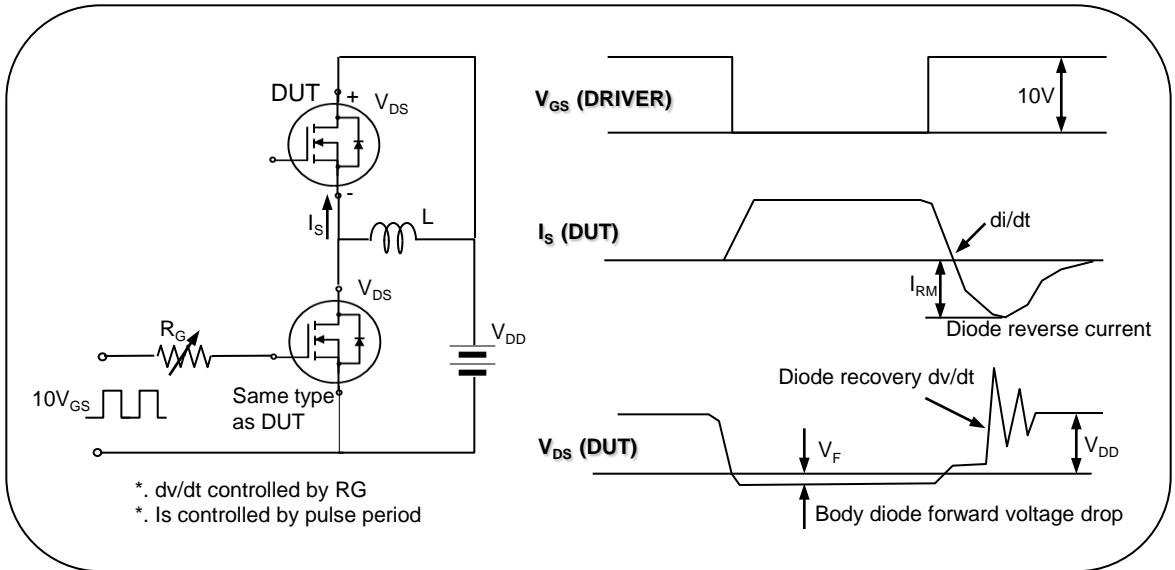


Fig. 4. Peak diode recovery dv/dt test circuit & waveform



REVISION HISTORY

Revision No.	Changed Characteristics	Responsible	Date	Issuer
REV 1.0	Origination, First Release	Alice Nie	2007.12.05	XZQ
REV 2.0	Updated the format of datasheet and added Order Codes.	Alice Nie	2011.03.24	XZQ

WWW.SEMIPOWER.COM.CN



芯派科技
SEMIPOWER

西安芯派电子科技有限公司

地址：西安市高新区高新一路25号创新大厦MF6

电话：029 - 88253717 传真：029 - 88251977



芯源科技

SAMWIN

深圳市南方芯源科技有限公司

地址：深圳市福田区天安数码城时代大厦A座2005

电话：0755 - 83981818 传真：0755 - 83476838