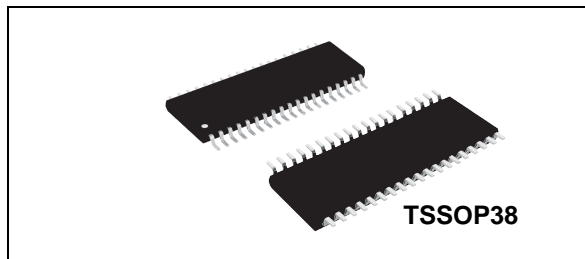


Digital controller for lighting and power conversion applications with 6 programmable PWM generators, 96 MHz PLL, DALI

Datasheet - production data



Features

- 6 programmable PWM generators (SMEDs) (state machine event driven)
 - 10 ns event detection and reaction
 - Max. 1.3 ns PWM resolution
 - Single, coupled and two-coupled operational modes
 - Up to 3 internal/external events per SMED
- DALI (digital addressable lighting interface)
 - Interrupt driven hardware encoder
 - Bus frequency: 1.2, 2.4 or 4.8 kHz
 - IEC 60929 and IEC 62386 compliant plus 24-bit frame extension
 - Configurable noise rejection filter
 - Reverse polarity on Tx/Rx lines
- 4 analog comparators
 - 4 internal 4-bit references
 - 1 external reference
 - Less than 50 ns propagation time
 - Continuous comparison cycle
- 8 analog-to-digital converters (ADC)
 - 10-bit precision, with operational amplifier to extend resolution to 12-bit equivalent
 - Sequencer functionality
 - Input impedance: 1 M Ω
 - Configurable gain value: x1 or x 4
- Integrated microcontroller
 - Advanced STM8 core with Harvard architecture and 3-stage pipeline
 - Max. f_{CPU}: 16 MHz
- Memories
 - Flash and E²PROM with read while write (RWW) and error correction code (ECC)
 - Program memory: 32 Kbytes Flash; data retention 15 years at 85 °C after 10 kcycles at 25 °C
 - Data memory: 1 Kbyte true data E²PROM; data retention: 15 years at 85 °C after 100 kcycles at 85 °C
 - RAM: 2 Kbytes
 - ROM: 2 Kbytes
- Clock management
 - Internal 96 MHz PLL
 - Low-power oscillator circuit for external crystal resonator or direct clock input
 - Internal, user-trimmable 16 MHz RC and low-power 153.6 kHz RC oscillators
 - Clock security system with clock monitor
- Basic peripherals
 - System and auxiliary timers
 - IWDG/WWDG watchdog, AWU, ITC
- Reset and supply management
 - Multiple low-power modes (wait, slow, auto-wakeup, Halt) with user definable clock gating
 - Low consumption power-on and power-down reset
- I/O
 - 12 multi-function bidirectional GPIO with highly robust design, immune against current injection
 - 6 fast digital input DIGIN, with configurable pull-up
- Communication interfaces
 - UART asynchronous with SW flow-control
 - I²C master/slave fast-slow speed rate
- Operating temperature
 - -40 °C up to 105 °C

Contents

- 1 Description 6**
 - 1.1 Introducing SMED 6
 - 1.2 Documentation 6

- 2 System architecture 7**
 - 2.1 Block diagram 8

- 3 Product overview 9**
 - 3.1 SMED (state machine event driven): configurable PWM generator 9
 - 3.1.1 SMED coupling schemes 9
 - 3.1.2 Connection matrix 10
 - 3.2 Internal controller (CPU) 12
 - 3.2.1 Architecture and registers 13
 - 3.2.2 Addressing 13
 - 3.2.3 Instruction set 13
 - 3.2.4 Single wire interface module (SWIM) 13
 - 3.2.5 Debug module 13
 - 3.3 Basic peripherals 14
 - 3.3.1 Vectored interrupt controller 14
 - 3.3.2 Timers 14
 - 3.4 Flash program and data E²PROM 15
 - 3.4.1 Architecture 16
 - 3.4.2 Write protection (WP) 16
 - 3.4.3 Protection of user boot code (UBC) 16
 - 3.4.4 Read-out protection (ROP) 16
 - 3.5 Clock controller 17
 - 3.5.1 Internal 16 MHz RC oscillator (HSI) 17
 - 3.5.2 Internal 153.6 kHz RC oscillator (LSI) 18
 - 3.5.3 Internal 96 MHz PLL 18
 - 3.5.4 External clock input/crystal oscillator (HSE) 18
 - 3.6 Power management 18
 - 3.7 Communication interfaces 19
 - 3.7.1 Digital addressable lighting interface (DALI) 19



3.7.2	Universal asynchronous receiver/transmitter (UART)	20
3.7.3	Inter-integrated circuit interface (I ² C)	21
3.8	Analog to digital converter (ADC)	21
3.9	Analog comparators	22
4	Pinout and pin description	23
4.1	Pinout	23
4.2	Pin description	24
4.3	Input/output specifications	25
5	I/O multifunction signal configuration	26
5.1	Multifunction configuration policy	26
5.2	Port P0 I/O multifunction configuration signal	26
5.2.1	Alternate function P0 configuration signals	27
5.2.2	Port P0 diagnostic signals	27
5.2.3	Port P0 I/O functional multiplexing signal	28
5.2.4	P0 programmable pull-up and speed feature	28
5.3	Port P1 I/O multifunction configuration signal	28
5.3.1	Port P1 I/O multiplexing signal	29
5.3.2	P1 programmable pull-up feature	30
5.4	Port P2 I/O multifunction configuration signal	30
5.4.1	P2 programmable pull-up feature	31
5.5	Multifunction Port configuration registers	31
6	Memory and register map	34
6.1	Memory map overview	34
6.2	Register map	35
6.2.1	General purpose I/O GPIO0 register map	35
6.2.2	General purpose I/O GPIO1 register map	35
6.2.3	Miscellaneous registers	36
6.2.4	Flash and E ² PROM non-volatile memories	37
6.2.5	Reset register	38
6.2.6	Clock and clock controller	39
6.2.7	WWDG timers	40
6.2.8	IWDG timers	40
6.2.9	AWU timers	40

6.2.10	Inter-integrated circuit interface (I ² C)	41
6.2.11	Universal asynchronous receiver/transmitter (UART)	42
6.2.12	System timer registers	42
6.2.13	Digital addressable lighting interface (DALI)	43
6.2.14	Analog-to-digital converter (ADC)	43
6.2.15	State machine event driven (SMEDs)	44
6.2.16	CPU register	46
6.2.17	Global configuration register	47
6.2.18	Interrupt controller	47
6.2.19	SWIM control register	47
7	Interrupt table	48
8	Option bytes	50
8.1	Option byte register overview	51
8.2	Option byte register description	53
9	Device identification	64
9.1	Unique ID	64
9.2	Device ID	64
10	Electrical characteristics	66
10.1	Parameter conditions	66
10.1.1	Minimum and maximum values	66
10.1.2	Typical values	66
10.1.3	Typical curves	66
10.1.4	Typical current consumption	66
10.1.5	Loading capacitors	67
10.1.6	Pin output voltage	67
10.2	Absolute maximum ratings	68
10.3	Operating conditions	69
10.3.1	VOUT external capacitor	70
10.3.2	Supply current characteristics	70
10.3.3	External clock sources and timing characteristics	77
10.3.4	Internal clock sources and timing characteristics	80
10.3.5	Memory characteristics	81
10.3.6	I/O port pin characteristics	81

10.3.7	Typical output curves	83
10.3.8	Reset pin characteristics	84
10.3.9	I ² C interface characteristics	84
10.3.10	10-bit Sar ADC characteristics	85
10.3.11	Analog comparator characteristics	88
10.3.12	DAC characteristics	88
10.4	EMC characteristics	89
10.4.1	Electrostatic discharge (ESD)	89
10.4.2	Static latch-up	89
11	Thermal characteristics	90
12	Package mechanical data	91
13	STLUX385A development tools	93
14	Order codes	94
15	Revision history	95

List of tables

Table 1.	Connection matrix interconnection	11
Table 2.	Pin description	23
Table 3.	Multifunction configuration registers	25
Table 4.	P0 internal multiplexing signals	26
Table 5.	Port P1 I/O multiplexing signal	28
Table 6.	Port P2 I/O multiplexing signal	29
Table 7.	Internal memory map	33
Table 8.	General purpose I/O GPIO0 register map	34
Table 9.	General purpose I/O GPIO0 register map	34
Table 10.	Miscellaneous direct register address mode	35
Table 11.	Miscellaneous indirect register address mode	36
Table 12.	Non-volatile memory register map	36
Table 13.	RST_SR register map	37
Table 14.	Clock and clock controller register map	38
Table 15.	WWDG timer register map	39
Table 16.	IWDG timer register map	39
Table 17.	AWU timer register map	39
Table 18.	I ² C register map	40
Table 19.	UART register map	41
Table 20.	System timer register map	41
Table 21.	DALI register map	42
Table 22.	ADC register map and reset value	43
Table 23.	SMED register map	44
Table 24.	CPU register map	45
Table 25.	CFG_GCR register map	46
Table 26.	Interrupt software priority register map	46
Table 27.	SWIM register map	46
Table 28.	Interrupt vector exception table	47
Table 29.	Option byte register overview	50
Table 30.	Unique ID register overview	63
Table 31.	Dev ID register overview	64
Table 32.	Voltage characteristics	67
Table 33.	Current characteristics	67
Table 34.	Thermal characteristics	68
Table 35.	General operating conditions	68
Table 36.	Operating conditions at power-up/power-down	68
Table 37.	Supply base current consumption at $V_{DD}/V_{DDA} = 3.3/5$ V	70
Table 38.	Supply low power consumption at $V_{DD}/V_{DDA} = 3.3/5$ V	71
Table 39.	Peripheral supply current consumption at $V_{DD}/V_{DDA} = 3.3$ V	72
Table 40.	Peripheral supply current consumption at $V_{DD}/V_{DDA} = 5$ V	73
Table 41.	HSE user external clock characteristics	76
Table 42.	HSE crystal/ceramic resonator oscillator	77
Table 43.	HSI RC oscillator	79
Table 44.	LSI RC oscillator	79
Table 45.	PLL internal source clock	79
Table 46.	Flash program memory/data E ² PROM memory	80
Table 47.	Voltage DC characteristics	81
Table 48.	Current DC characteristics	81

Table 49.	Operating frequency characteristics	82
Table 50.	NRST pin characteristics	83
Table 51.	I ² C interface characteristics	83
Table 52.	ADC characteristics	84
Table 53.	ADC accuracy characteristics at V _{DD} /V _{DDA} 3.3 V	85
Table 54.	ADC accuracy characteristics at V _{DD} /V _{DDA} 5 V	86
Table 55.	Analog comparator characteristics	87
Table 56.	DAC characteristics	87
Table 57.	ESD absolute maximum ratings	88
Table 58.	Electrical sensitivity	88
Table 59.	Package thermal characteristics	89
Table 60.	TSSOP38 mechanical data	90
Table 61.	Ordering information	93
Table 62.	Document revision history	94

List of figures

Figure 1.	STLUX385A internal design	6
Figure 2.	Internal block diagram	7
Figure 3.	Coupled SMED overview	9
Figure 4.	SMED subsystem overview	10
Figure 5.	Flash and E ² PROM internal memory organizations	15
Figure 6.	TSSOP38 pinout	22
Figure 7.	Port P0 I/O functional multiplexing scheme	27
Figure 8.	Port P1 I/O multiplexing scheme	28
Figure 9.	Supply current measurement conditions	65
Figure 10.	Pin loading conditions	66
Figure 11.	Pin input voltage	66
Figure 12.	External capacitor CVOOUT	69
Figure 13.	PWM current consumption with $f_{SMED}=PLL$ $f_{PWM}=0.5$ MHz at $V_{DD}/V_{DDA}=3.3V$	75
Figure 14.	PWM current consumption with $f_{SMED}=PLL$ $f_{PWM}=0.5$ MHz at $V_{DD}/V_{DDA}=5V$	75
Figure 15.	PWM current consumption with $f_{SMED}=HSI$ $f_{PWM}=0.5$ MHz at $V_{DD}/V_{DDA}=3.3V$	76
Figure 16.	PWM current consumption with $f_{SMED}=HSI$ $f_{PWM}=0.5$ MHz at $V_{DD}/V_{DDA}=5V$	76
Figure 17.	HSE external clock source	77
Figure 18.	HSE oscillator circuit diagram	78
Figure 19.	TSSOP8 package drawing	91

1 Description

The STLUX385A is part of the MASTERLUX™ family of ST Microelectronics digital devices tailored for lighting and power conversion. The STLUX385A has been successfully integrated in a wide range of architectures and applications, starting from simple buck converters for LED driving, boost for power factor correction, half-bridge resonant converters for dimmable LED strings, up to full-bridge control in HID lamp ballasts, wireless power chargers and TV power supplies.

1.1 Introducing SMED

The heart of the STLUX385A is the SMED (state machine event driven) technology which allows the device to operate six independently configurable PWM clocks with a maximum resolution of 1.3 ns. A SMED is a powerful autonomous state machine, which is programmed to react to both external and internal events and may evolve without any software intervention. The SMED reaction time can be as low as 10.4 ns, giving the STLUX385A the ability of operating in time-critical applications. The SMED offers superior performance when compared to traditional, timer based, PWM generators.

Each SMED is configured via the STLUX385A internal microcontroller. The integrated controller extends the STLUX385A reliability and guarantees more than 15 years of both operating lifetime and memory data retention for program and data memory after cycling.

A set of dedicated peripherals complete the STLUX385A:

- 4 analog comparators with configurable references and 50 ns max. propagation delay. It is ideal to implement zero current detection algorithms or detect current peaks.
- 10-bit ADC with configurable op-amp and 8 channel sequencer.
- DALI: hardware interface that provides full IEC 60929 and IEC 62386 slave interface.
- 96 MHz PLL for high output signal resolution.

1.2 Documentation

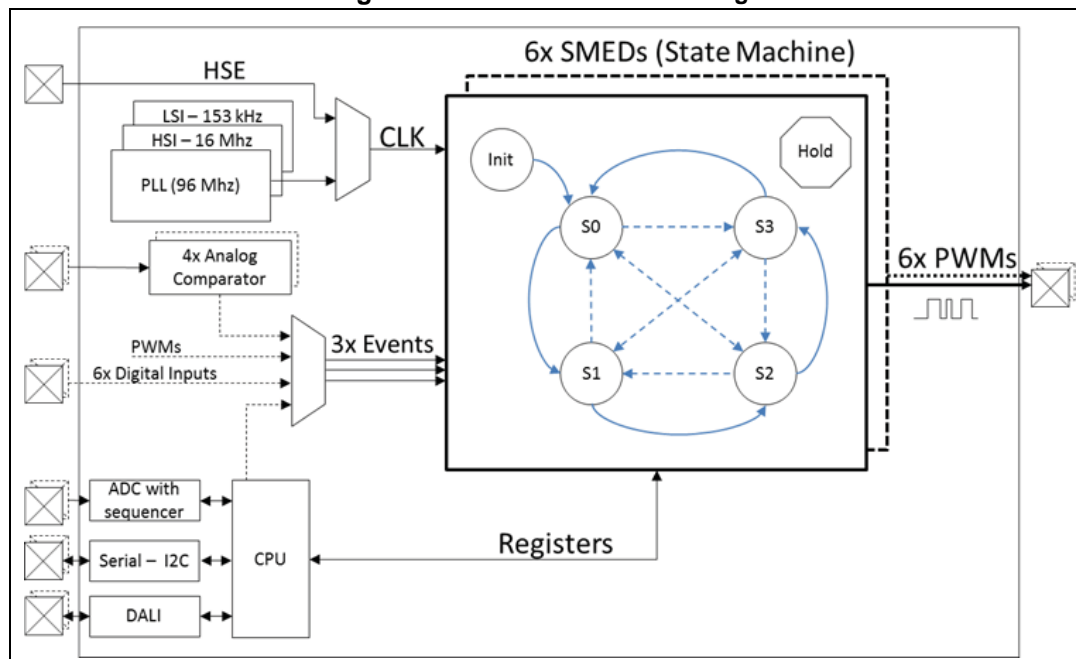
The following datasheet contains the description of features, pinout, pin assignment, electrical characteristics, mechanical data and ordering information.

- For information on programming, erasing and protection of the internal Flash memory, please refer to the STM8 Flash programming manual (PM0047).
- For information on the debug and SWIM (single wire interface module) refer to the STM8 SWIM communication protocol and debug module user manual (UM0470).
- For information on the STM8 core, please refer to the STM8 CPU programming manual (PM0044).

2 System architecture

The STLUX385A generates and controls PWM signals by means of a state machine, called SMED (state machine event driven). The following picture gives an overview of the internal architecture.

Figure 1. STLUX385A internal design



The core of the device is the SMED unit: a hardware state machine driven by system events. The SMED includes 4 states (S0, S1, S2 and S3) available during running operations. A special HOLD state is provided as well. The SMED allows the user to configure, for every state, which system events trigger a transaction to a new state. During a transaction from one state to the other, the PWM output signal level can be updated.

Once a SMED is configured and running, it becomes an autonomous unit, so no interaction is required since the SMED automatically reacts to system events.

Thanks to the SMED's 96 MHz operating frequency and their automatic dithering function, the PWM maximum resolution is 1.3 ns.

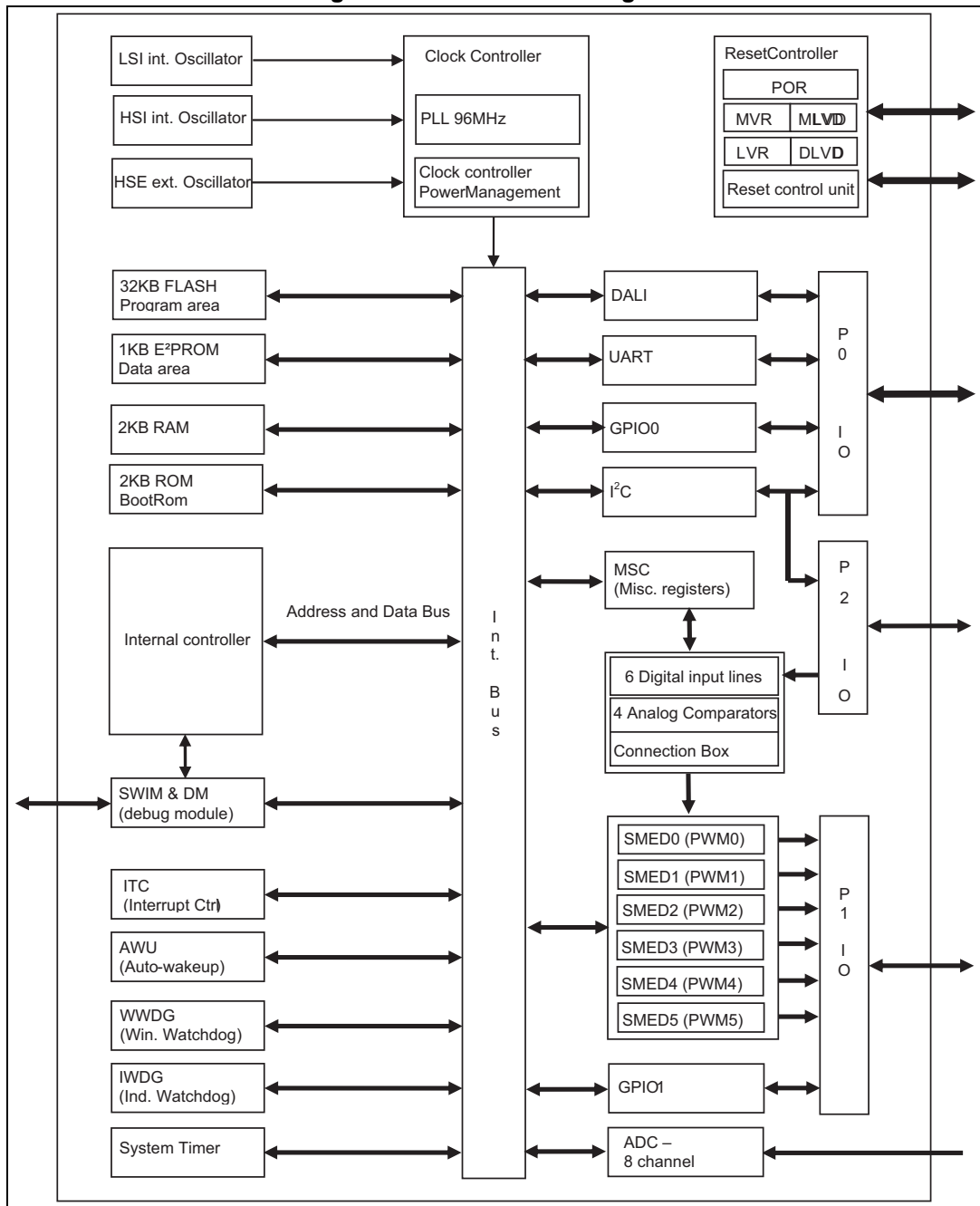
The STLUX385A has 6 SMEDs available. Multiple SMEDs can operate independently from each other or they can be grouped together to form a more powerful state machine.

The STLUX385A also integrates a low-power STM8 microcontroller which is used to configure and monitor the SMED activity and to supply external communication such as DALI. The STM8 controller has full access to all the STLUX385A sub-systems, including the SMEDs. The STLUX385A also features a sequential ADC, which can be configured to continuously sample up to 8 channels.

The following section illustrates the overall system block and shows how SMEDs have been implemented in the STLUX385A architecture.

2.1 Block diagram

Figure 2. Internal block diagram



3 Product overview

This following section describes the features implemented in the product device.

3.1 SMED (state machine event driven): configurable PWM generator

The SMED is an advanced programmable PWM generator signal. The SMED (state machine event driven) is a state machine device controllable by both external events (primary I/O signals) and internal events (counter timers), which generate an output signal (PWM) depending on the evolution of the internal state machine.

The PWM signal generated by the SMED is therefore shaped by external events and not by a single timer. This mechanism allows controlled high frequency PWM signals to be generated.

The SMED is also autonomous: once it has been configured by the STLUX385A internal controller, the SMED can operate without any software interaction.

STLUX385A provides 6 SMED units. Multiple SMEDs can operate independently from each other or they can be grouped together to form a more powerful state machine.

The main features of a SMED are here below described:

- Configurable state machine generating a PWM signal
- More than 10.4 ns PWM native resolution
- Up to 1.3 ns PWM resolution when using SMED dithering
- 6 states available in each SMED: IDLE, S0, S1, S2, S3 plus a special HOLD state
- Transactions triggered by synchronous and asynchronous external events or internal timer
- Each transaction can generate an interrupt
- Fifteen registers available to configure the state machine behavior
- Four 16-bit configurable time registers, one for each running state (T0, T1, T2, T3)
- Internal resources accessible through processor interface
- Eight interrupt request lines

3.1.1 SMED coupling schemes

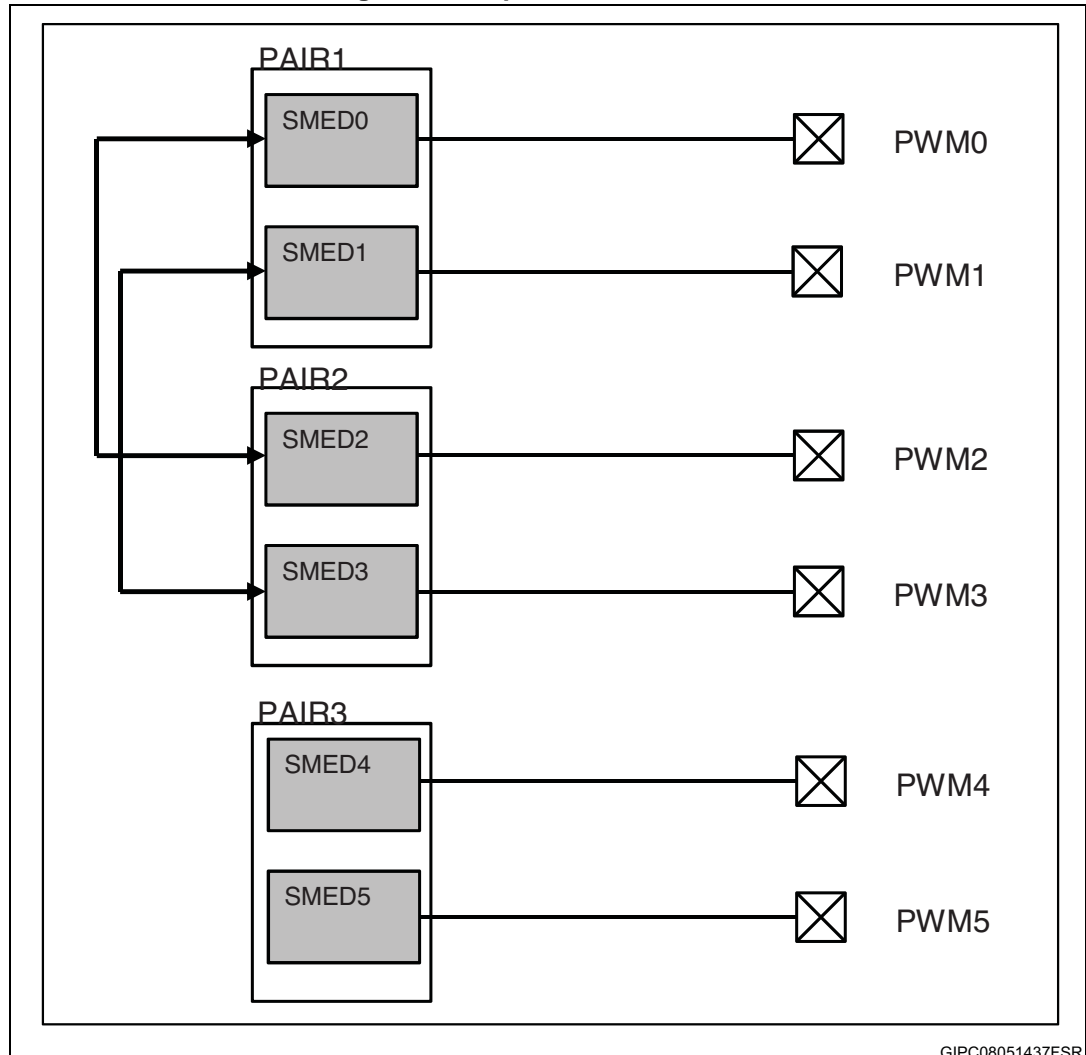
The SMED coupling extends the capability of the single SMED, preserving the independence of each FSM programmed state evolution. The coupling scheme allows the SMED pulse signals to be interleaved on their own PWM or on a merged single PWM output. The STLUX385A supports the following coupled configuration schemes:

- Single SMED configuration
- Synchronous coupled SMED
- Asynchronous coupled SMED
- Synchronous two coupled SMED
- Asynchronous two coupled SMED
- External controlled SMED

The SMED units may be configured in different coupled schemes through the SMDx_GLBCONF and SMDx_DRVOUT bit fields of MSC_SMEDCFGxy registers.

An outline of SMED subsystem is shown in [Figure 3](#).

Figure 3. Coupled SMED overview



3.1.2 Connection matrix

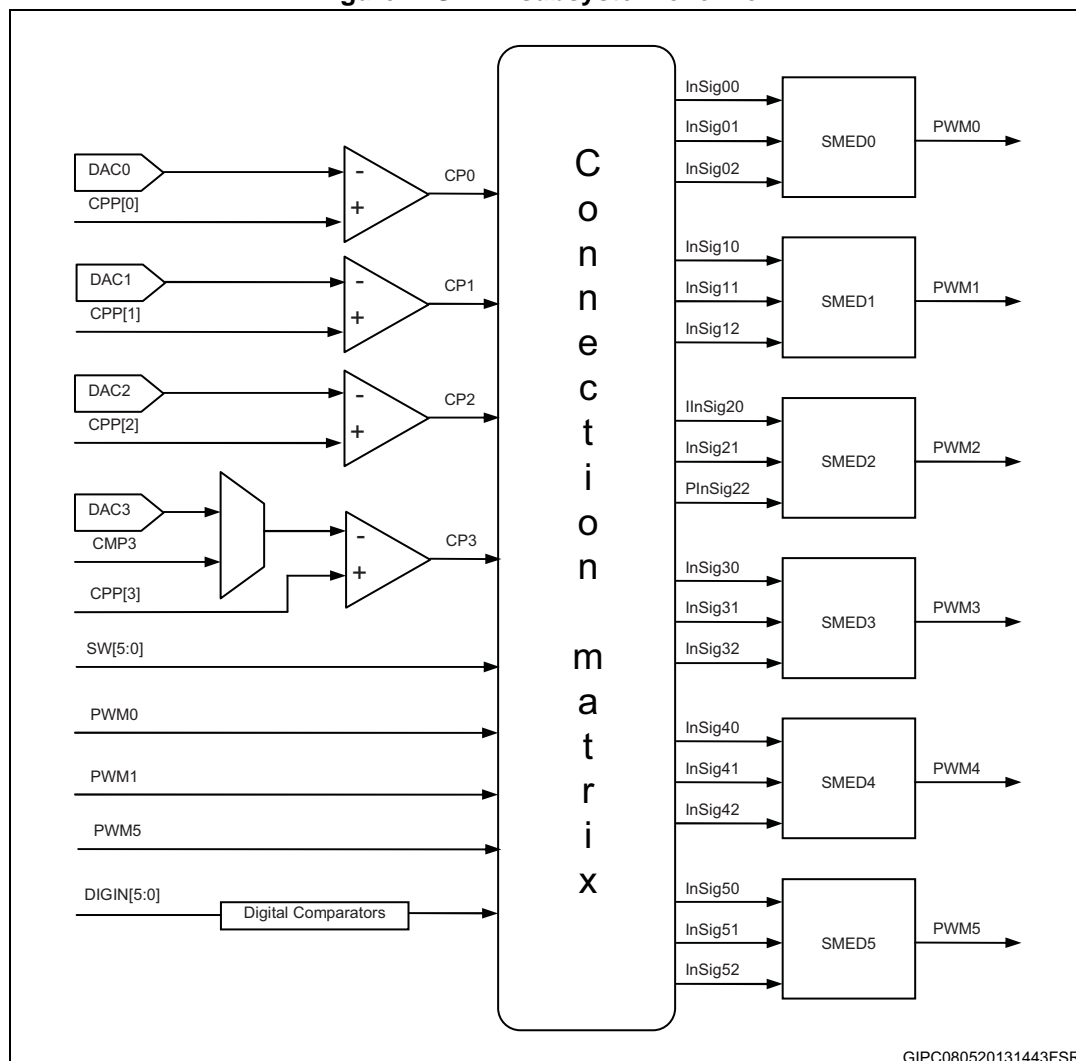
The connection matrix extends the input connectivity of each SMED unit so that a SMED can receive events from a wide range of sources. Through the matrix, it's possible to connect the SMED inputs to various signal families such as digital inputs, comparator output signals, SW events, and three PWM internal feedback signals as shown in [Figure 4](#).

The list of the available event sources is the following:

- DIGIN(5:0) digital input lines
- CMP(3:0) analog comparator outputs
- PWM(5:0) output signals of SMEDs (only PWM 0, 1 and 5 are accessible)
- SW(5:0) software events

The following image shows the connection matrix and signal interconnections as they are implemented in the STLUX385A device.

Figure 4. SMED subsystem overview



GIPC080520131443FSR

Connection matrix interconnection

Every SMED unit has three input selection lines, one for each In_Sig input, configurable via the MSC_CBOXS(5:0) register. The selection lines choose the interconnection between one of possible four connection matrix signals for each SMED input event In_Sig(Y).

The next table shows the layout of the connection matrix interconnection signals as implemented on the STLUX385A.

Table 1. Connection matrix interconnection

Conb_s(x)_y)(z)					
SMED number	SMED input	SMED input signal selection (z)			
(x)	(y)	00	01	10	11
0	0	CP0	DIG0	DIG2	DIG5
	1	CP1	DIG0	DIG3	CP3
	2	CP2	DIG1	DIG4	SW0
1	0	CP1	DIG1	DIG3	DIG0
	1	CP2	DIG1	DIG4	CP3
	2	CP0	DIG2	DIG5	SW1
2	0	CP2	DIG2	DIG4	DIG1
	1	CP0	DIG2	DIG5	PWM0
	2	CP1	DIG3	DIG0	SW2
3	0	CP0	DIG3	DIG5	DIG2
	1	CP1	DIG3	DIG0	PWM1
	2	CP2	DIG4	DIG1	SW3
4	0	CP1	DIG4	DIG0	DIG3
	1	CP2	DIG4	DIG1	PWM5
	2	CP0	DIG5	DIG2	SW4
5	0	CP2	DIG5	DIG1	DIG4
	1	CP0	DIG5	DIG2	CP3
	2	CP1	DIG0	DIG3	SW5

Connection matrix legend:

- X represents the SMED[5:0] number
- Y represents the SMED input signal number (In_Sig[2:0])
- Z represents the In_Sig(Y) selection signal

Note: Each SMED input has independent connection matrix selection signals.

3.2 Internal controller (CPU)

The STLUX385A device integrates a programmable STM8 controller acting as a device supervisor. The STM8 is a modern CISC core and has been designed for code efficiency and performance. It contains 21 internal registers (six of them directly addressable in each execution context), 20 addressing modes including indexed indirect and relative addressing and 80 instructions.

3.2.1 Architecture and registers

- Harvard architecture with 3-stage pipeline
- 32-bit wide program memory bus with single cycle fetching for most instructions
- X and Y 16-bit index registers, enabling indexed addressing modes with or without offset and read-modify-write type data manipulations
- 8-bit accumulator
- 24-bit program counter with 16 Mbyte linear memory space
- 16-bit stack pointer with access to a 64 Kbyte stack
- 8-bit condition code register with seven condition flags updated with the results of last executed instruction

3.2.2 Addressing

- 20 addressing modes
- Indexed indirect addressing mode for lookup tables located in the entire address space
- Stack pointer relative addressing mode for efficient implementation of local variables and parameter passing

3.2.3 Instruction set

- 80 instructions with 2-byte average instruction size
- Standard data movement and logic/arithmetic functions
- 8-bit by 8-bit multiplication
- 16-bit by 8-bit and 16-bit by 16-bit division
- Bit manipulation
- Data transfer between stack and accumulator (push/pop) with direct stack access
- Data transfer using the X and Y registers or direct memory-to-memory transfers

3.2.4 Single wire interface module (SWIM)

The single wire interface module (SWIM), together with the integrated debug module (DM), permits non-intrusive, real-time in-circuit debugging and fast memory programming. The interface can be activated in all device operation modes and can be connected to a running device (hot plugging). The maximum data transmission speed is 145 byte/ms.

3.2.5 Debug module

The non-intrusive debugging module features a performance close to a full-featured emulator. Besides memory and peripheral operation, CPU operation can also be monitored in real-time by means of shadow registers.

- R/W of RAM and peripheral registers in real-time
- R/W for all resources when the application is stopped
- Breakpoints on all program-memory instructions (software breakpoints), except for the interrupt vector table
- Two advanced breakpoints and 23 predefined breakpoint configurations

3.3 Basic peripherals

The following sections describe the basic peripherals accessed by the internal CPU controller.

3.3.1 Vectored interrupt controller

- Nested interrupts with three software priority levels
- 21 interrupt vectors with hardware priority
- Two vectors for 12 external maskable or un-maskable interrupt request lines
- Trap and reset interrupts

3.3.2 Timers

The STLUX385A device provides several timers which are used by software and do not interact directly with the SMED and the PWM generation.

System timers

The system timer consists of a 16-bit auto-reload counter driven by a programmable prescaled clock and operating in one shoot or free running operating mode. The timer is used to provide the IC time base system clock, with interrupt generation on timer overflow events.

Auxiliary timer

The auxiliary timer is a light timer with elementary functionality. The time base frequency is provided by the CCO clock logic (configurable with different source clock and prescale division factors), while the interrupt functionality is supplied by an interrupt edge detection logic similarly to the solution adopted for Port P0/P2.

The timer has the following main features:

- Free running mode
- Up counter
- Timer prescaler 8-bit
- Interrupt timer capability:
 - Vectored interrupt
 - Interrupt IRQ/NMI or Polling mode
- Timer pulse configurable as a clock output signal via CCO primary pin

Thanks to the great configurability of the CCO frequency, the timer can cover a wide range of interval time to fit better the target application requirements.

Auto-wakeup timer

The AWU timer is used to cyclically wake up the IC device from the active-halt state. The AWU frequency time base f_{AWU} can be selected between the following clock sources: LSI (153.6 kHz) and the external clock HSE scaled down to 128 kHz clock.

By default the f_{AWU} clock is provided by the LSI internal source clock.
Watchdog timers

The watchdog system is based on two independent timers providing a high level of robustness to the applications. The watchdog timer activity is controlled by the application program or by suitable option bytes. Once the watchdog is activated, it cannot be disabled by the user program without going through reset.

Window watchdog timer

The window watchdog is used to detect the occurrence of a software fault, usually generated by external interferences or by unexpected logical conditions, which causes the application program to break the normal operating sequence.

The window function can be used to adjust the watchdog intervention period in order to match the application timing perfectly. The application software must refresh the counter before time-out and during a limited time window. If the counter is refreshed outside this time window, a reset is issued.

Independent watchdog timer

The independent watchdog peripheral can be used to resolve malfunctions due to hardware or software failures.

It is clocked by the 153.6 kHz LSI internal RC clock source. If the hardware watchdog feature is enabled through the device option bits, the watchdog is automatically enabled at power-on, and generates a reset unless the key register is written by software before the counter reaches the end of count.

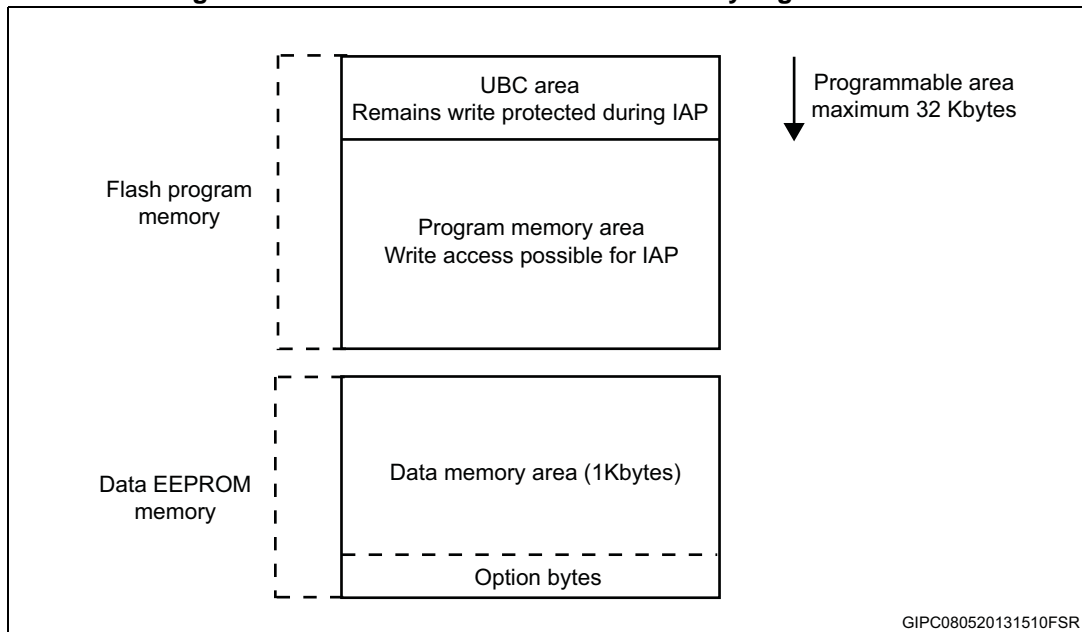
3.4 Flash program and data E²PROM

Embedded Flash and E²PROM with memory ECC code correction and protection mechanism preventing embedded program hacking.

- 32 Kbyte of single voltage program Flash memory
- 1 Kbyte true (not emulated) data E²PROM
- Read while write: writing in the data memory is possible while executing code program memory
- The device setup is stored in a user option area in the non-volatile memory

3.4.1 Architecture

Figure 5. Flash and E²PROM internal memory organizations



- The memory is organized in blocks of 128 bytes each
- Read granularity: 1 word = 4 bytes
- Write/erase granularity: 1 word (4 bytes) or 1 block (128 bytes) in parallel
- Writing, erasing, word and block management is handled automatically by the memory interface

3.4.2 Write protection (WP)

Write protection in application mode is intended to avoid unintentional overwriting of the memory. The write protection can be removed temporarily by executing a specific sequence in the user software.

3.4.3 Protection of user boot code (UBC)

In the STLUX385A a memory area of 32 Kbyte can be protected from overwriting at user option level. In addition to the standard write protection, the UBC protection can exclusively be modified via the debug interface, the user software cannot modify the UBC protection status.

The UBC memory area contains the reset and interrupt vectors and its size can be adjusted in increments of 512 bytes by programming the UBC and NUBC option bytes.

Note: If users choose to update the boot code in the application programming (IAP), this has to be protected so to prevent unwanted modification.

3.4.4 Read-out protection (ROP)

The STLUX385A provides a read-out protection of the code and data memory which can be activated by an option byte setting.

The read-out protection prevents reading and writing program memory, data memory and option bytes via the debug module and SWIM interface. This protection is active in all device operation modes. Any attempt to remove the protection by overwriting the ROP option byte triggers a global erase of the program and data memory.

The ROP circuit may provide a temporary access for debugging or failure analysis. The temporary read access is protected by a user defined, 8-byte keyword stored in the option byte area. This keyword must be entered via the SWIM interface to temporarily unlock the device.

If desired, the temporary unlock mechanism can be permanently disabled by the user.

3.5 Clock controller

The clock controller distributes the system clock provided by different oscillators to the core and the peripherals. It also manages clock gating for low-power modes and ensures clock robustness.

The main clock controller features are:

- Clock sources
- Internal 16 MHz and 153.6 kHz RC oscillators
- External source clock:
 - Crystal/resonator oscillator
 - External clock input
- Internal PLL @ 96 MHz (not used as f_{MASTER} source clock)
- Reset: after the reset the microcontroller restarts by default with an internal 2 MHz clock (16 MHz/8). The clock source and speed can be changed by the application program as soon as the code execution starts.
- Safe clock switching: clock sources can be changed safely on the fly in run mode through a configuration register. The clock signal is not switched until the new clock source is ready. The design guarantees glitch-free switching.
- Clock management: to reduce power consumption, the clock controller can stop the clock to the core or individual peripherals.
- Wakeup: In case the device wakes up from low-power modes, the internal RC oscillator (16 MHz/8) is used for quick startup. After a stabilization time, the device switches to the clock source that was selected before Halt mode was entered.
- Clock security system (CSS): the CSS permits monitoring of external clock sources and automatic switching to the internal RC (16 MHz/8) in case of a clock failure.
- Configurable main clock output (CCO): this feature outputs the clock signal.

3.5.1 Internal 16 MHz RC oscillator (HSI)

The high speed internal (HSI) clock is the default master clock line, generated by an internal RC oscillator and with nominal frequency of 16 MHz. It has the following major features:

- RC architecture
- Glitch free oscillation
- 3-bit user calibration circuit

3.5.2 Internal 153.6 kHz RC oscillator (LSI)

The low speed internal (LSI) clock is a low speed clock line provided by an internal RC circuit. It drives both the independent watchdog (IWDG) circuit and the auto-wakeup unit (AWU). It can also be used as a low power clock line for the master clock f_{MASTER} .

3.5.3 Internal 96 MHz PLL

The PLL provides a high frequency 96 MHz clock used to generate high frequency and accurate PWM waveforms. The input reference clock must be 16 MHz and may be sourced either by the internal HSI signal or by the external HSE auxiliary input crystal oscillator line.

The internal PLL prescaled clock cannot be selected as f_{MASTER} .

Note: Should the end application require a PWM signal with a high degree of stability over long periods, an external clock source connected to the HSE auxiliary clock line as PLL input reference clock, should be used. In this case, the external clock source determines the PWM output stability.

3.5.4 External clock input/crystal oscillator (HSE)

The high speed external clock (HSE) allows the connection of an external clock generated, for example, by a highly accurate crystal oscillator. The HSE is interconnected with the f_{MASTER} clock line and to several peripherals. It allows users to provide a custom clock characterized by a high level of precision and stability to meet the application requirements. HSE supports two possible external clock sources with a maximum of 24 MHz:

- crystal/ceramic resonator interconnected with the HseOscin/HseOscout signals
- direct drive clock interconnected with the HseOscin signal

The HseOscin and HseOscout signals are multifunction pins configurable through the I/O multiplex mechanism; for further information refer to [Section 5](#).

Note: When HSE is configured as f_{MASTER} source clock, the HSE input frequency cannot be higher than 16 MHz.

When the HSE is the PLL input reference clock, then the HSE input frequency must be equal to 16 MHz.

If HSE is the reference for the SMED or the ADC logic, the input frequency can be configured up to 24 MHz.

3.6 Power management

For efficient power management, the application can be put in one of four different low-power modes. Users can configure each mode to obtain the best compromise between the lowest power consumption, the fastest startup time and available wakeup sources.

- **Wait mode:** In this mode, the CPU is stopped, but peripherals are kept running. The wakeup is performed by an internal or external interrupt or reset.
- **Active-halt mode with regulator on:** In this mode, the CPU and peripheral clocks are stopped. An internal wakeup is generated at programmable intervals by the auto-wakeup unit (AWU). The main voltage regulator is kept powered on, so current consumption is higher than in active-halt mode with regulator off, but the wakeup time

is faster. The wakeup is triggered by the internal AWU interrupt, external interrupt or reset.

- **Active-halt mode with regulator off:** this mode is the same as active-halt with regulator on, except that the main voltage regulator is powered off, so the wakeup time is slower.
- **Halt mode:** in this mode the microcontroller uses the least power. The CPU and peripheral clocks are stopped, while main voltage regulator is switched in power-off. Wakeup is triggered by external event or reset.

In all modes the CPU and peripherals remain permanently powered on, the system clock is applied only to selected modules. The RAM content is preserved and the brown-out reset circuit remains enabled.

3.7 Communication interfaces

3.7.1 Digital addressable lighting interface (DALI)

DALI (digital addressable lighting interface), standardized as IEC 929, is the new interface for lighting control solutions defined by the lighting industry.

The DALI protocol is generally implemented in a DALI communication module (DCM): a serial communication circuit designed for controllable electronic ballasts. “Ballast” is a device or circuit used to provide the required starting voltage and operating current for LED, fluorescent, mercury or other electronic-discharge lamps.

The STLUX385A DALI driver has the following characteristics.

- Improved DALI noise rejection filter (see section: [DALI noise rejection filter](#))
- Speed line: 1.2, 2.4 and 4.8 kHz transmission rate $\pm 10\%$
- Forward payload: 16, 17, 18 and 24-bit message length
- Backward payload: 8-bit message length.
- Bi-directional communications
- Monitor receiver line timeout 500 ms $\pm 10\%$
- Polarity insensitive on DALI_rx, DALI_tx signal line
- Interoperability with different message length
- Configurable noise rejection filter on DALI_rx input line
- Maskable interrupt request line
- DALI peripheral clock has slowed down to 153.6 kHz in low speed operating mode

DALI noise rejection filter

The STLUX385A DALI interface includes a noise rejection filter interconnected on the RX channel capable to remove any bounce, glitch or spurious pulse from the RX line. The filter can be configured via three registers:

- MSC_DALICKSEL: selects the source clock of filter timing
- MSC_DALICKDIV: configures the clock prescaler value
- MSC_DALICONF: configures the filter count and operating mode

3.7.2 Universal asynchronous receiver/transmitter (UART)

UART is the asynchronous receiver/transmitter communication interface.

- SW flow control operating mode
- Full duplex, asynchronous communications
- High precision baud rate generator system
 - Common programmable transmit and receive baud rates up to $f_{\text{MASTER}}/16$
- Programmable data word length (8 or 9-bit)
- Configurable stop bit - support for 1 or 2 stop bit
- Configurable parity control
- Separate enable bits for transmitter and receiver
- Interrupt sources:
 - Transmit events
 - Receive events
 - Error detection flags
- 2 interrupt vectors:
 - Transmitter interrupt
 - Receiver interrupt
- Reduced power consumption mode
- Wakeup from mute mode (by idle line detection or address mark detection)
- 2 receiver wakeup modes:
 - Address bit (MSB)
 - Idle line

3.7.3 Inter-integrated circuit interface (I²C)

I²C (inter-integrated circuit) bus interface serves as an interface between the microcontroller and the serial I²C bus. It provides multi-master capability, and controls all I²C bus-specific sequencing, protocol, arbitration and timing. It supports standard and fast speed modes.

- Parallel-bus/I²C protocol converter
- Multi-master capability: the same interface can act as master or slave
- I²C master features:
 - Clock generation
 - Start and stop generation
- I²C slave features:
 - Programmable I²C address detection
 - Stop bit detection
- Generation and detection of 7-bit/10-bit addressing and general call
- Supports different communication speeds:
 - Standard speed (up to 100 kHz)
 - Fast speed (up to 400 kHz)
- Status flags:
 - Transmitter/receiver mode flag
 - End-of-byte transmission flag
 - I²C busy flag
- Error flags:
 - Arbitration lost condition for master mode
 - Acknowledgment failure after address/ data transmission
 - Detection of misplaced start or stop condition
 - Overrun/underrun if clock stretching is disabled
- Interrupt sources:
 - Communication interrupt
 - Error condition interrupt
 - Wakeup from Halt interrupt
- Wakeup capability:
 - MCU wakes up from low power mode on address detection in slave mode

3.8 Analog to digital converter (ADC)

The STLUX385A includes a 10-bit successive approximation ADC with 8 multiplexed input channels. The analog input signal can be amplified before conversion by a selectable gain

of 1 or 4 times. The analog-to-digital converter can operate either in single or in continuous/circular modes. The ADC unit has the following main features:

- 8 ADC input channel
- 10-bit resolution
- Single and continuous conversion mode
- Independent channel gain value x1 or x4 to extend dynamic range and resolution to 12-bit equivalent
- Interrupt events:
 - EoC interrupt asserted on end of conversion cycle
 - EoS interrupt asserted on end of conversion sequences
 - SEQ_FULL_EN interrupt assert on sequencer buffer full
- ADC input voltage range dependent on selected gain value
- Selectable conversion data alignment
- Individual registers for up to 8 successive conversions

3.9 Analog comparators

The STLUX385A includes four independent fast analog comparator units (COMP3-0). Each comparator has an internal reference voltage. COMP3 can be also configured to use an external reference voltage connected to CPM3 input pin.

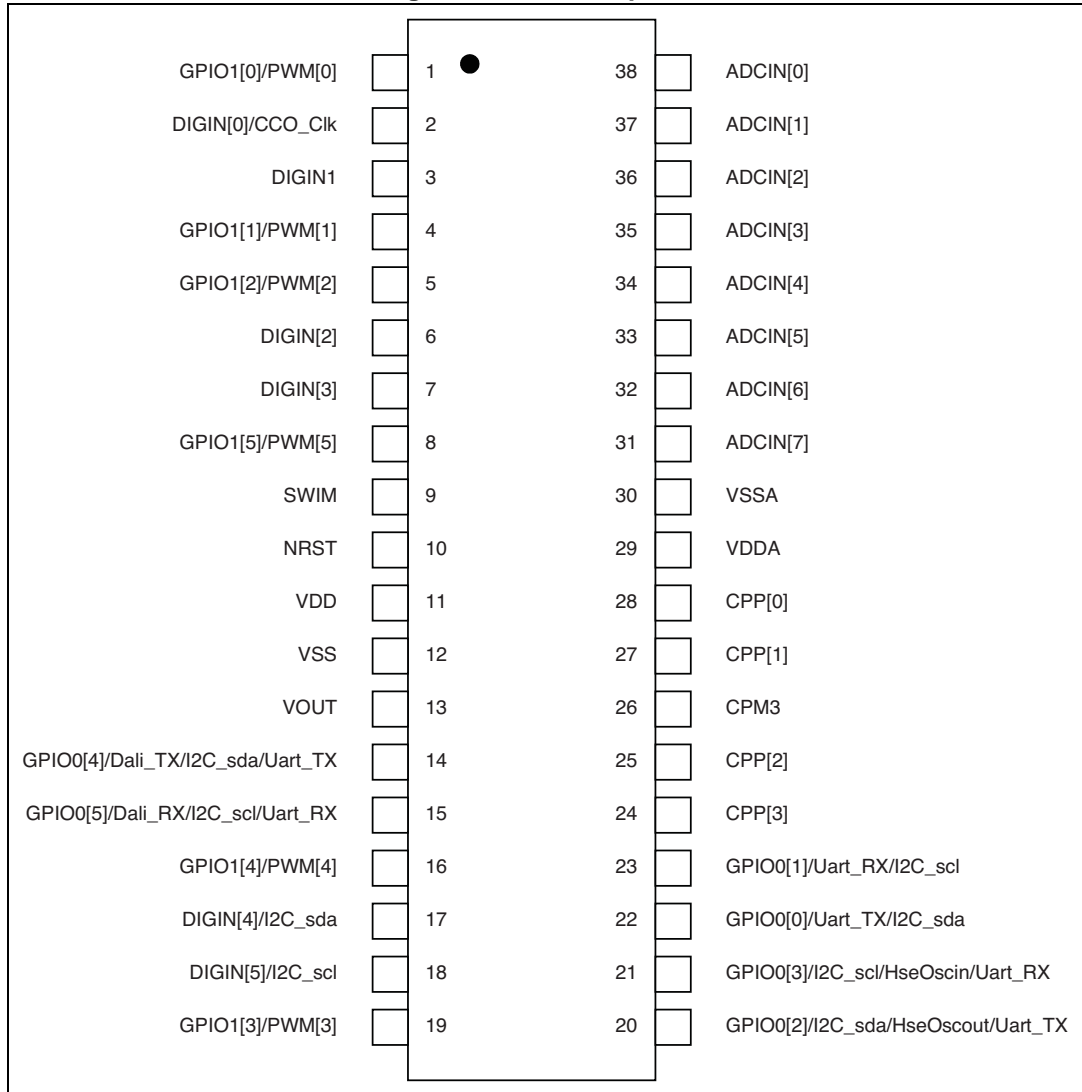
Each comparator reference voltage is generated by a dedicated internal-only 4-bit DAC unit. The main characteristics of the analog comparator unit (ACU) are the following:

- Each comparator has an internally configurable reference
- Internal reference voltages configurable in 16 steps with 83 mV voltage grain from 0 V (GND) to 1.24 V (voltage reference)
- Two stage comparator architecture is used to reach a high gain
- Comparator output stage value accessible from processor interface
- Continuous fast cycle comparison time

4 Pinout and pin description

4.1 Pinout

Figure 6. TSSOP38 pinout



4.2 Pin description

Table 2. Pin description

Pin number	Type	Pin name	Main function	Alternate function 1	Alternate function 2	Alternate function 3
1	I/O	GPIO1[0]/PWM[0]	SMED PWM channel 0	General purpose I/O 10	-	-
2	I/O	DIGIN[0]/CCO_clk	Digital input 0	Configurable clock output signal (CCO)	-	-
3	I	DIGIN[1]	Digital input 1	-	-	-
4	I/O	GPIO1[1]/PWM[1]	SMED PWM channel 1	General purpose I/O 11	-	-
5	I/O	GPIO1[2]/PWM[2]	SMED PWM channel 2	General purpose I/O 12	-	-
6	I	DIGIN[2]	Digital input 2	-	-	-
7	I	DIGIN[3]	Digital input 3	-	-	-
8	I/O	GPIO1[5]/PWM[5]	SMED PWM channel 5	General purpose I/O 15	-	-
9	I/O	SWIM	SWIM data interface	-	-	-
10	I/O	NRST	Reset	-	-	-
11	PS	VDD	Digital and I/O power supply	-	-	-
12	PS	VSS	Digital and I/O ground	-	-	-
13	PS	VOUT	1.8 V regulator capacitor	-	-	-
14	I/O	GPIO0[4]/DALI_tx	General purpose I/O 04	DALI data transmit	-	-
15	I/O	GPIO0[5]/DALI_rx	General purpose I/O 05	DALI data receive	-	-
16	I/O	GPIO1[4]/PWM[4]	SMED PWM channel 4	General purpose I/O 14	-	-
17	I	DIGIN[4]	Digital input 4	-	-	-
18	I	DIGIN[5]	Digital input 5	-	-	-
19	I/O	GPIO1[3]/PWM[3]	SMED PWM channel 3	General purpose I/O 13	-	-
20	I/O	GPIO0[2]/I ² C_sda/HseOscout/UART_tx	General purpose I/O 02	I ² C data	Output crystal oscillator signal	UART data transmit

Table 2. Pin description (continued)

Pin number	Type	Pin name	Main function	Alternate function 1	Alternate function 2	Alternate function 3
21	I/O	GPIO0[3]/I ² C_scl/ HseOscin/UART_rx	General purpose I/O 03	I ² C clock	Input crystal oscillator signal / input frequency signal	UART data receive
22	I/O	GPIO0[0]/UART_tx/I ² C_scl	General purpose I/O 00	UART data transmit	-	-
23	I/O	GPIO0[1]/UART_rx/I ² C_scl	General purpose I/O 01	UART data receive	-	-
24	I	CPP[3]	Positive analog comparator input 3	-	-	-
25	I	CPP[2]	Positive analog comparator input 2	-	-	-
26	I	CPM3	Negative analog comparator input 3	-	-	-
27	I	CPP[1]	Positive analog comparator input 1	-	-	-
28	I	CPP[0]	Positive analog comparator input 0	-	-	-
29	PS	VDDA	Analog power supply	-	-	-
30	PS	VSSA	Analog ground	-	-	-
31	I	ADCIN[7]	Analog input 7	-	-	-
32	I	ADCIN[6]	Analog input 6	-	-	-
33	I	ADCIN[5]	Analog input 5	-	-	-
34	I	ADCIN[4]	Analog input 4	-	-	-
35	I	ADCIN[3]	Analog input 3	-	-	-
36	I	ADCIN[2]	Analog input 2	-	-	-
37	I	ADCIN[1]	Analog input 1	-	-	-
38	I	ADCIN[0]	Analog input 0	-	-	-

4.3 Input/output specifications

The STLUX385A device includes two different I/O types:

- Normal I/Os configurable either at 2 or 10 MHz (high sink)
- Fast I/O operating at 12 MHz

The STLUX385A I/Os are designed to withstand current injection. For a negative injection current of 4 mA, the resulting leakage current in the adjacent input does not exceed 1 μ A; further details are available in [Section 10](#).

5 I/O multifunction signal configuration

Several I/Os have multiple functionalities selectable through the configuration mechanism described in the following sections. The STLUX385A I/Os are grouped into three different configurable ports: P0, P1 and P2.

5.1 Multifunction configuration policy

The STLUX385A supports either a cold or warm multifunction signal configuration policy according to the content of the EN_COLD_CFG bit field, part of the GENCFG option byte register.

When EN_COLD_CFG bit is set, the cold configuration is selected and the multifunction signals are configured according to the values stored in the option bytes; otherwise when the EN_COLD_CFG bit is cleared (default case), the warm configuration mode is chosen and the multifunction pin functionality is configured through the miscellaneous registers.

The configuration options and the proper configuration registers are detailed in the following table:

Table 3. Multifunction configuration registers

EN_COLD_CFG	Configuration policy	Multifunction configuration registers
1	Cold	AFR_IOMUXP0, AFR_IOMUXP1 and AFR_IOMUXP2
0 (default)	Warm	MISC_IOMUXP0, MISC_IOMUXP1 and MISC_IOMUXP2

The warm configuration is volatile, thus not maintained after a device reset.

5.2 Port P0 I/O multifunction configuration signal

Port P0 multiplexes several input/output functionalities, increasing the device flexibility. The P0 port pins can be independently assigned to general purpose I/Os or to internal peripherals. All communication peripherals and the external oscillator are hosted by port P0 pins.

In order to avoid electrical conflicts on the user application board, the P0 signals are configured at reset as GPIO0[5:0] inputs without pull-up resistors. Once reset is released, the firmware application must initialize the inputs with the proper configuration according to the application needs.

5.2.1 Alternate function P0 configuration signals

The multifunction pins can be configured via one of the following two registers, depending on the overall configuration policy (warm/cold):

- Cold configuration: AFR_IOMXP0 option byte registers (refer to [Section 8](#)). After reset the P0 signals are configured in line with AFR_IOMXP0 contents.
- Warm configuration: MISC_IOMXP0 miscellaneous register (refer to [Section 5.5](#)). After reset, the P0 signals are configured as GPIO input lines with pull-up disabled.

The next table summarizes the port P0 configuration scheme. Both registers MSC_IOMXP0 and AFR_IOMXP0 use the same register fields Sel_p054, Sel_p032 and Sel_p010 which respectively control the bits [5,4], [3,2] and [1,0] of port P0.

Table 4. P0 internal multiplexing signals

Port P0 multifunction configuration signal				
Port pins	Multifunction signal		Mux sel	
			Selection fields	Value (binary)
P0[1,0]	GPIO0[1]	GPIO0[0]	Sel_p010	00
	UART_rx	UART_tx		01
	I ² C_scl	I ² C_sda		10
	RFU Reserved encoding			11
P0[3,2]	GPIO0[3]	GPIO0[2]	Sel_p032	00
	I ² C_scl	I ² C_sda		01
	HseOscin	HseOscout		10
	UART_rx	UART_tx		11
P0[5,4]	GPIO0[5]	GPIO0[4]	Sel_p054	00
	DALI_rx	DALI_tx		01
	I ² C_scl	I ² C_sda		10
	UART_rx	UART_tx		11

Note: Sel_p054, Sel_p032, Sel_p010 are register fields for both registers MSC_IOMXP0 and AFR_IOMXP0.

The peripheral conflict (same resources selected on different pins at the same time) has to be prevented by SW configuration.

When the I²C interface is selected either on GPIO0[5:4] or on GPIO0[3:2] signals the related I/O port speed has to be configured at 10 MHz by programming the GPIO0 internal peripheral.

5.2.2 Port P0 diagnostic signals

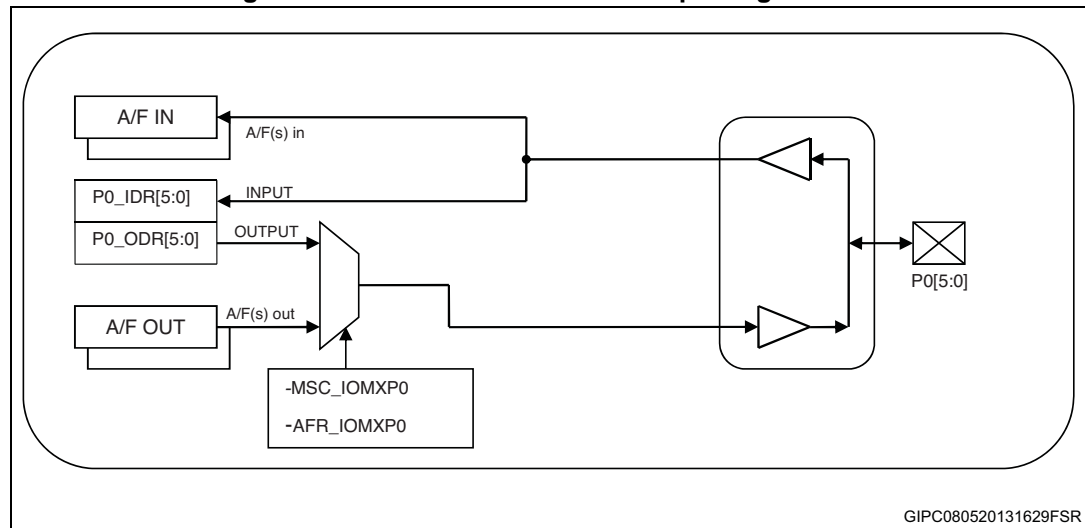
The primary I/Os can be used to trace the SMED's state evolution. This feature allows the debug of the complex SMED configurations. The trace selection can be enabled or disabled via register MSC_IOMXSMD. The diagnostic signal selection through MSC_IOMXSMD register overrides the functional configuration of MSC_IOMXP0 register.

The port P0[5:3] or P0[2:0] can be configured to output one or two different SMEDs' current state.

5.2.3 Port P0 I/O functional multiplexing signal

Figure 7 shows an outline view of port P0 multi-function multiplexing scheme.

Figure 7. Port P0 I/O functional multiplexing scheme



Note: Where “A/F(s) in” and “A/F(s) out” signals are defined in Section 4.2.

5.2.4 P0 programmable pull-up and speed feature

The I/O speed and pad pull-up resistance (47 kΩ) of Port P0 may be configured through the GPIO0 internal registers.

5.3 Port P1 I/O multifunction configuration signal

The Port1 I/O multifunction pins, similarly to Port0, can be individually configured through the following set of registers based on the selected device configuration policy:

- Cold configuration: AFR_IOMUXP1 option byte register (refer to Section 8). After reset the P1 signals are configured in line with AFR_IOMUXP1 contents.
- Warm configuration: MISC_IOMUXP1 miscellaneous register (refer to Section 5.5). After reset the P1 signals are configured as PWM output lines.

Every Port1 I/O can be configured to operate as a PWM output pin or a GPIO. Differently from port P0s, the pins are configured as PWM output signals by default after reset.

The next table summarizes the port P1 configurations as selected by the register fields Sel_p15...Sel_p10 which respectively control the bits [5]...[0] of port P1.

Table 5. Port P1 I/O multiplexing signal

Port P1 multifunction configuration signal			
Output signal	Multi-function signal	Mux selection	
		Selection bits	Value (binary)
P1[0]	PWM[0]	Sel_p10	1
	GPIO1[0]		0
P1[1]	PWM[1]	Sel_p11	1
	GPIO1[1]		0
P1[2]	PWM[2]	Sel_p12	1
	GPIO1[2]		0
P1[3]	PWM[3]	Sel_p13	1
	GPIO1[3]		0
P1[4]	PWM[4]	Sel_p14	1
	GPIO1[4]		0
P1[5]	PWM[5]	Sel_p15	1
	GPIO1[5]		0

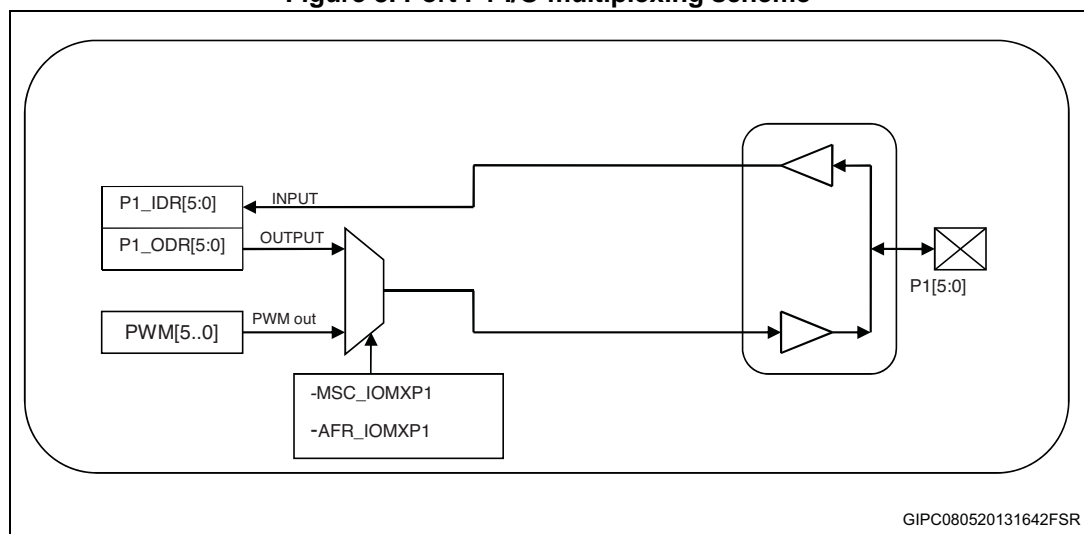
Note: Sel_p15...Sel_p10 are common register fields of both registers MISC_IOMUXP1 and AFR_IOMUXP1.

The PWM default polarity level is configured by the register option byte GENCFG.

5.3.1 Port P1 I/O multiplexing signal

The next figure shows an outline view of port P1 signal multiplex scheme.

Figure 8. Port P1 I/O multiplexing scheme



GIPC080520131642FSR

Note: The P1[5:0] output signals may be read back from the P1_IDR register only when the pins are configured as GPIO out or PWM signals.

The PWM internal signal is read-back also by the its own SMED through the SMD<n>_FSM_STS register

5.3.2 P1 programmable pull-up feature

The pad pull-up resistances (47 kΩ) of Port1 may be configured through the GPIO1 internal register.

5.4 Port P2 I/O multifunction configuration signal

The Port2 I/O multifunction pins, similarly to Port0 and Port2, can be individually configured through the following set of registers based on the selected device configuration policy:

- Cold configuration: AFR_IOMXP2 option byte registers (refer to [Section 8](#)). After reset the P2 signals are configured in line with AFR_IOMXP2 contents.
- Warm configuration: MISC_IOMXP2 miscellaneous register (refer to [Section 5.5](#)). After reset the P2 signals are configured as DIGINs input lines with pull-up enabled.

The following table summarizes the port P2 configurations selected by the register fields Sel_p25...Sel_p20 which respectively control the bits [5]...[0] of port P2.

Table 6. Port P2 I/O multiplexing signal

Port P2 multifunction configuration signal			
Output signal	Multi-function signal	Mux Sel	
		Selection bits	Value (binary)
P2[0]	DIGIN[0]	CCOEN	0
	CCO		1
P2[4]	DIGIN[4]	Sel_p254	1
	I ² C_sda		0
P2[5]	DIGIN[5]	Sel_p254	1
	I ² C_scl		0

Note: Sel_p254 is a common register field of both registers MSC_IOMXP2 and AFR_IOMXP2.

The peripheral conflict (same resources selected on different pins at the same time) has to be prevented by SW configuration.

The option byte AFR_IOMXP2 before user configuration by default selects the I²C alternative functionality.

The signal ports P2[3:1] are exclusively interconnected with DIGIN[3:1] primary pins.

When the I²C i/f is selected on DIGIN[5:4] signals the I/O speed is auto-configured at 10 MHz and the internal pull-up functionality is controlled by the MSC_INPP2AUX1 register.

The P2[0] signal for backward product compatibility is only controlled by field CCOEN of CKC_CCOR register as shown in the previous table.

5.4.1 P2 programmable pull-up feature

The pad pull-up resistances (47 kΩ) of Port2 signals are individually controllable by MSC_INPP2AUX1 register.

5.5 Multifunction Port configuration registers

MSC_IOMUXP0 (Port P1 I/O mux control register)

Offset: 0x2A

Default value: 0x00

7	6	5	4	3	2	1	0
RFU		Sel_p054[1:0]		Sel_p032[1:0]		Sel_p010[1:0]	
r		r/w		r/w		r/w	

Port0 I/O multifunction signal configurations register (for functionality description refers to [Section 5.2](#)).

Bit 1-0:

Sel_p010[1:0] Port0[1:0] I/O multiplexing scheme:

00: Port0[1:0] are interconnected to GPIO0[1:0] signals

01: Port0[1:0] are interconnected to UART_rx and UART_tx signals

10: Port0[1:0] are interconnected to I²C_scl and I²C_sda signals

11: RFU

Bit 3-2:

Sel_p032[1:0] Port0[3:2] I/O multiplexing scheme:

00: Port0[3:2] are interconnected to GPIO0[3:2] signals

01: Port0[3:2] are interconnected to I²C_scl and I²C_sda signals

10: Port0[3:2] are interconnected to HseOscin and HseOscout analog signals

11: Port0[3:2] are interconnected to UART_rx and UART_tx signals

Bit 5-4:

Sel_p054[1:0] Port0[5:4] I/O multiplexing scheme:

00: Port0[5:4] are interconnected to GPIO0[5:4] signals

01: Port0[5:4] are interconnected to DALI_rx and DALI_tx signals

10: Port0[5:4] are interconnected to I²C_scl and I²C_sda signals

11: Port0[5:4] are interconnected to UART_rx and UART_tx signals

Bit 7-6:

RFU reserved; in order to guarantee future compatibility, the bits are kept or set to 0 during register write operations

MSC_IOMUXP1 (Port P1 I/O mux control register)

Offset: 0x2B

Default value: 0x3F

7	6	5	4	3	2	1	0
RFU		Sel_p15	Sel_p14	Sel_p13	Sel_p12	Sel_p11	Sel_p10
r		r/w					

Port1 I/O multifunction signal configuration register (for functionality description refers to [Section 5.3](#)).

Bit 0:

Sel_p10 Port1[0] I/O multiplexing scheme:

0: Port1[0] is interconnected to GPIO1[0] signal

1: Port1[0] is interconnected to PWM[0] signal

Bit 1:

Sel_p11 Port1[1] I/O multiplexing scheme:

0: Port1[1] is interconnected to GPIO1[1] signal

1: Port1[1] is interconnected to PWM[1] signal

Bit 2:

Sel_p12 Port1[2] I/O multiplexing scheme:

0: Port1[2] is interconnected to GPIO1[2] signal

1: Port1[2] is interconnected to PWM[2] signal

Bit 3:

Sel_p13 Port1[3] I/O multiplexing scheme:

0: Port1[3] is interconnected to GPIO1[3] signal

1: Port1[3] is interconnected to PWM[3] signal

Bit 4:

Sel_p14 Port1[4] I/O multiplexing scheme:

0: Port1[4] is interconnected to GPIO1[4] signal

1: Port1[4] is interconnected to PWM[4] signal

Bit 5:

Sel_p15 Port1[5] I/O multiplexing scheme:

0: Port1[5] is interconnected to GPIO1[5] signal

1: Port1[5] is interconnected to PWM[5] signal

Bit 7-6:

RFU reserved; in order to guarantee future compatibility, the bits are kept or set to 0 during register write operations

MSC_IOMUX2 (Port P2 I/O mux control register)

Offset: 0x13 (indirect area)

Default value: 0xFF

7	6	5	4	3	2	1	0
RFU			Sel_p254	RFU			
r			r/w	r			

Port1 I/O multifunction signal configurations register (for functionality description refers to [Section 5.4](#)).

Bit 3-0:

RFU reserved; must be kept 0 during register writing for future compatibility

Bit 4:

Sel_p254 Port2[5:4] I/O multiplexing scheme:

0: Port2[5:4] are interconnected to I²C_scl and I²C_sda signals

1: Port2[5:4] are interconnected to DIGIN[5:4] signals

Bit 7-5:

RFU reserved; in order to guarantee future compatibility, the bits are kept or set to 0 during register write operations

MSC_INPP2AUX1 (INPP aux register)

Offset: 0x08

Default value: 0x00

7	6	5	4	3	2	1	0
RFU		INPP2_PULCTR [5:0]					
r		r/w					

Bit 5-0:

INPP2_PULCTR[5:0] This register configures respectively the INPP2[5:0] pull-up functionality as follows:

0: Enable pad pull-up features (enabled by default for compatibility with the STLUX385)

1: Disable pad pull-up

Bit 7-6:

RFU reserved; in order to guarantee future compatibility, the bits are kept or set to 0 during register write operations.

Note: *MSC_IOMUX2 and MSC_INPP2AUX1 are addressable in indirect mode.*

6 Memory and register map

6.1 Memory map overview

This section describes the register map implemented by the STLUX385A device. The following picture shows the main memory map organization. All registers and memory spaces are configured within the first 64 Kbytes of memory, the remaining address spaces are kept reserved for future use.

Table 7. Internal memory map

Address	Description
00.0000h	2 kB RAM
00.07FFh	Stack
00.0800h	Reserved
00.3FFFh	
00.4000h	1 kB data E ² PROM
00.43FFh	
00.4400h	Reserved
00.47FFh	
00.4800h	128 option bytes
00.487Fh	
00.4880h	Reserved
00.4FFFh	
00.5000h	Peripheral register region
00.57FFh	
00.5800h	Reserved
00.5FFFh	
00.6000h	2 kB boot ROM
00.67FFh	
00.6800h	Reserved
00.7EFFh	
00.7F00h	Core register region
00.7FFFh	

Table 7. Internal memory map (continued)

Address	Description
00.8000h	32 interrupt vectors
00.8080h 00.FFFFh	32 kB program Flash
01.0000h FF.FFFFh	Reserved

By default the stack address is initialized at 0x07FF and rolls-over when it reaches the address value of 0x0400.

6.2 Register map

The following section shows the STLUX385A memory map.

6.2.1 General purpose I/O GPIO0 register map

Table 8. General purpose I/O GPIO0 register map

Address	Block	Register name	Register description
0x00.5000	GPIO0	P0_ODR	Output data
0x00.5001		P0_IDR	Input data
0x00.5002		P0_DDR	Data direction
0x00.5003		P0_CR1	Control register 1
0x00.5004		P0_CR2	Control register 2

6.2.2 General purpose I/O GPIO1 register map

Table 9. General purpose I/O GPIO0 register map

Address	Block	Register name	Register description
0x00.5005	GPIO1	P1_ODR	Output data
0x00.5006		P1_IDR	Input data
0x00.5007		P1_DDR	Data direction
0x00.5008		P1_CR1	Control register 1
0x00.5009		P1_CR2	Control register 2

6.2.3 Miscellaneous registers

Direct register address mode

Table 10. Miscellaneous direct register address mode

Address	Block	Register name	Register description
0x00.5010	MSC	MSC_CFGP00	P00 input line control
0x00.5011		MSC_CFGP01	P01 input line control
0x00.5012		MSC_CFGP02	P02 input line control
0x00.5013		MSC_CFGP03	P03 input line control
0x00.5014		MSC_CFGP04	P04 input line control
0x00.5015		MSC_CFGP05	P05 input line control
0x00.5016		MSC_CFGP20	P20 input line control
0x00.5017		MSC_CFGP21	P21 input line control
0x00.5018		MSC_CFGP22	P22 input line control
0x00.5019		MSC_CFGP23	P23 input line control
0x00.501A		MSC_CFGP24	P24 input line control
0x00.501B		MSC_CFGP25	P25 input line control
0x00.501C		MSC_STSP0	Port0 status
0x00.501D		MSC_STSP2	Port2 status
0x00.501E		MSC_INPP2	Port2 read
0x00.501F		RFU	Reserved for future use
0x00.5020		MSC_DACCTR	Comparator4 and DAC4 configuration
0x00.5021		MSC_DACIN0	DAC0 input data
0x00.5022		MSC_DACIN1	DAC1 input data
0x00.5023		MSC_DACIN2	DAC2 input data
0x00.5024		MSC_DACIN3	DAC3 input data
0x00.5025		MSC_SMDCFG01	SMED 0-1 behavior
0x00.5026		MSC_SMDCFG23	SMED 2-3 behavior
0x00.5027		MSC_SMDCFG45	SMED 4-5 behavior
0x00.5028		MSC_SMSWEV	SMED software events
0x00.5029		MSC_SMUNLOCK	SMED unlock
0x00.502A		MSC_CBOXS0	Connection matrix selection for SMED 0

Indirect register address mode

Table 11. Miscellaneous indirect register address mode

Address (IDX)	Block	Register name	Register description
0x00 – 0x04	MSC	RFU	Reserved for future use
0x05		MSC_DALICKSEL	DALI clock selection
0x06		MSC_DALICKDIV	DALI filter clock division factor
0x07		MSC_DALICONF	DALI filter mode configuration
0x08		MSC_INPP2AUX1	INPP2 auxiliary configuration register 1
0x09		MSC_INPP2AUX2	INPP2 auxiliary configuration register 2
0x0A – 0x12		RFU	Reserved for future use
0x13		MSC_IOMUXP2	Port2 alternate function mux register

6.2.4 Flash and E²PROM non-volatile memories

Table 12. Non-volatile memory register map

Address	Block	Register name	Register description
0x00.505A	MIF	FLASH_CR1	Control register 1
0x00.505B		FLASH_CR2	Control register 2
0x00.505C		FLASH_nCR2	Control register 2 (protection)
0x00.505D		FLASH_FPR	Memory protection
0x00.505E		FLASH_nFPR	Memory protection (complemented reg.)
0x00.505F		FLASH_IAPSR	Flash status
0x00.5062		FLASH_PUKR	Write memory protection removal key reg.
0x00.5063		RFU	Reserved for future use
0x00.5064		FLASH_DUKR	Write memory protection removal data
0x00.5071		FLASH_WAIT	Time access wait-state reg.

6.2.5 Reset register

Table 13. RST_SR register map

Address	Block	Register name	Register description
0x00.50B3	RSTC	RST_SR	Reset control status

6.2.6 Clock and clock controller

Table 14. Clock and clock controller register map

Address	Block	Register name	Register description
0x00.50B4	CKC	CLK_SMD0	SMED 0 clock configuration
0x00.50B5		CLK_SMD1	SMED 1 clock configuration
0x00.50B6		CLK_SMD2	SMED 2 clock configuration
0x00.50B7		CLK_SMD3	SMED 3 clock configuration
0x00.50B8		CLK_SMD4	SMED 4 clock configuration
0x00.50B9		CLK_SMD5	SMED 5 clock configuration
0x00.50BA		RFU	Reserved for future use
0x00.50BB		RFU	Reserved for future use
0x00.50BC		RFU	Reserved for future use
0x00.50BD		RFU	Reserved for future use
0x00.50BE		CLK_PLLDIV	PLL clock divisor
0x00.50BF		CLK_AWUDIV	AWU clock divisor
0x00.50C0		CLK_ICKR	Internal clock control
0x00.50C1		CLK_ECKR	External clock control
0x00.50C2		CLK_PLLR	PLL control
0x00.50C3		CLK_CMSR	Clock master
0x00.50C4		CLK_SWR	Clock switch
0x00.50C5		CLK_SWCR	Switch control
0x00.50C6		CLK_CKDIVR	Clock dividers
0x00.50C7		CLK_PCKENR1	Peripherals clock
0x00.50C8		CLK_CSSR	Clock security system
0x00.50C9		CLK_CCOR	Configurable clock output
0x00.50CA		CLK_PCKENR2	Peripheral clock enable
0x00.50CB		RFU	Reserved for future use
0x00.50CC		CLK_HSTRIMR	HSI calibration trimmer
0x00.50CD		CLK_SWIMCCR	SWIM clock division
0x00.50CE		CLK_CCODIVR	CCO divider
0x00.50CF		CLK_ADCR	ADC clock configuration

6.2.7 WWDG timers

Table 15. WWDG timer register map

Address	Block	Register name	Register description
0x00.50D1	WWDG	WWDG_CR	Watchdog control
0x00.50D2		WWDG_WR	Watchdog window

6.2.8 IWDG timers

Table 16. IWDG timer register map

Address	Block	Register name	Register description
0x00.50E0	IWDG	IWDG_KR	Watchdog key
0x00.50E1		IWDG_PR	Watchdog time base
0x00.50E2		IWDG_RLR	Watchdog counter value after reload

6.2.9 AWU timers

Table 17. AWU timer register map

Address	Block	Register name	Register description
0x00.50F0	AWU	AWU_CSR	AWU control status
0x00.50F1		AWU_APR	AWU asynchronous prescaler buffer
0x00.50F2		AWU_TBR	AWU time base selection

6.2.10 Inter-integrated circuit interface (I²C)

Table 18. I²C register map

Address	Block	Register name	Register description
0x00.5210	I2C	I ² C_CR1	I ² C control register 1
0x00.5211		I ² C_CR2	I ² C control register 2
0x00.5212		I ² C_FREQR	I ² C frequency register
0x00.5213		I ² C_OARL	I ² C own add-low reg.
0x00.5214		I ² C_OARH	I ² C own add-high reg.
0x00.5215		RFU	Reserved for future use
0x00.5216		I ² C_DR	I ² C data register
0x00.5217		I ² C_SR1	I ² C status register 1
0x00.5218		I ² C_SR2	I ² C status register 2
0x00.5219		I ² C_SR3	I ² C status register 3
0x00.521A		I ² C_ITR	I ² C interrupt and DMA control
0x00.521B		I ² C_CCRL	I ² C clock control
0x00.521C		I ² C_CCRH	I ² C clock control
0x00.521D		I ² C_TRISER	I ² C rising edge

6.2.11 Universal asynchronous receiver/transmitter (UART)

Table 19. UART register map

Address	Block	Register name	Register description
0x00.5230	UART	UART_SR	UART status
0x00.5231		UART_DR	UART data
0x00.5232		UART_BRR1	UART baud rate div mantissa [7:0]
0x00.5233		UART_BRR2	UART baud rate div mantissa [11:8] SCIDIV FRACT[3:0]
0x00.5234		UART_CR1	UART control register 1
0x00.5235		UART_CR2	UART control register 2
0x00.5236		UART_CR3	UART control register 3
0x00.5237		UART_CR4	UART control register 4
0x00.5238		UART_CR5	UART control register 5
0x00.5239		UART_GTR	UART guard time
0x00.523A		UART_PSCR	SCI1 prescaler

6.2.12 System timer registers

Table 20. System timer register map

Address	Block	Register name	Register description
0x00.5340	STMR	STMR_CR1	Control register 1
0x00.5341		STMR_IER	Interrupt enable
0x00.5342		STMR_SR1	Status register 1
0x00.5343		STMR_EGR	Event generation
0x00.5344		STMR_CNTH	Counter high
0x00.5345		STMR_CNTL	Counter low
0x00.5346		STMR_PSCL	Prescaler low
0x00.5347		STMR_ARRH	Auto-reload high
0x00.5348		STMR_ARRL	Auto-reload low

6.2.13 Digital addressable lighting interface (DALI)

Table 21. DALI register map

Address	Block	Register name	Register description
0x00.53C0	DALI	DALI_CLK_L	Data rate control
0x00.53C1		DALI_CLK_H	Data rate control
0x00.53C2		DALI_FB0	Forward message
0x00.53C3		DALI_FB1	Forward message
0x00.53C4		DALI_FB2	Forward message
0x00.53C5		DALI_BD	Backward message
0x00.53C6		DALI_CR	Control
0x00.53C7		DALI_CSR	Control and status register
0x00.53C8		DALI_CSR1	Control and status register 1
0x00.53C9		DALI_REVLN	Control reverse signal line

6.2.14 Analog-to-digital converter (ADC)

The ADC_DATL/H register number <n> is 0-7

Table 22. ADC register map and reset value

Address	Block	Register name	Register description
0x00.5400	ADC	ADC_CFG	Configuration
0x00.5401		ADC_SOC	Start of conversion
0x00.5402		ADC_IER	Interrupt enable
0x00.5403		ADC_SEQ	Sequencer
0x00.5404		ADC_DATL_0	<u>Low part data 0 converted</u>
0x00.5405		ADC_DATH_0	High part data 0 converted
0x00.5406		ADC_DATL_1	Low part data 1 converted
0x00.5407		ADC_DATH_1	High part data 1 converted
0x00.5408		ADC_DATL_2	Low part data 2 converted
0x00.5409		ADC_DATH_2	High part data 2 converted
0x00.540A		ADC_DATL_3	Low part data 3 converted
0x00.540B		ADC_DATH_3	High part data 3 converted
0x00.540C		ADC_DATL_4	Low part data 4 converted
0x00.540D		ADC_DATH_4	High part data 4 converted
0x00.540E		ADC_DATL_5	Low part data 5 converted
0x00.540F		ADC_DATH_5	High part data 5 converted
0x00.5410		ADC_DATL_6	Low part data 6 converted
0x00.5411		ADC_DATH_6	High part data 6 converted
0x00.5412		ADC_DATL_7	Low part data 7 converted
0x00.5413		ADC_DATH_7	High part data 7 converted
0x00.5414	ADC_SR	Status	
0x00.5415	ADC_DLYCNT	SOC delay counter	

6.2.15 State machine event driven (SMEDs)

The SMED<n> address register is:

$$ADD_REG = (5500h + (40h)*n) + offset$$

where <n> is the SMED instance number 0-5

Table 23. SMED register map

Address (offset)	Block	Register name	Register description
0x00	SMED<n>	SMD<n>_CTR	Control
0x01		SMD<n>_CTR_TMR	Control time
0x02		SMD<n>_CTR_INP	Control input
0x03		SMD<n>_CTR_DTR	Dithering
0x04		SMD<n>_TMR_T0L	Time T0 LSB
0x05		SMD<n>_TMR_T0H	Time T0 MSB
0x06		SMD<n>_TMR_T1L	Time T1 LSB
0x07		SMD<n>_TMR_T1H	Time T1 MSB
0x08		SMD<n>_TMR_T2L	Time T2 LSB
0x09		SMD<n>_TMR_T2H	Time T2 MSB
0x0A		SMD<n>_TMR_T3L	Time T3 LSB
0x0B		SMD<n>_TMR_T3H	Time T3 MSB
0x0C		SMD<n>_PRM_ID0	IDLE state parameter0
0x0D		SMD<n>_PRM_ID1	IDLE state parameter1
0x0E		SMD<n>_PRM_ID2	IDLE state parameter2
0x0F		SMD<n>_PRM_S00	S0 state parameter0
0x10		SMD<n>_PRM_S01	S0 state parameter1
0x11		SMD<n>_PRM_S02	S0 state parameter2
0x12		SMD<n>_PRM_S10	S1 state parameter0
0x13		SMD<n>_PRM_S11	S1 state parameter1
0x14		SMD<n>_PRM_S12	S1 state parameter2
0x15		SMD<n>_PRM_S20	S2 state parameter0
0x16		SMD<n>_PRM_S21	S2 state parameter1
0x17		SMD<n>_PRM_S22	S2 state parameter2
0x18		SMD<n>_PRM_S30	S3 state parameter0
0x19		SMD<n>_PRM_S31	S3 state parameter1
0x1A		SMD<n>_PRM_S32	S3 state parameter2

Table 23. SMED register map (continued)

Address (offset)	Block	Register name	Register description
0x1B	SMED<n>	SMD<n>_CFG	Timer configuration register
0x1C		SMD<n>_DMP_L	Counter dump LSB
0x1D		SMD<n>_DMP_H	Counter dump MSB
0x1E		SMD<n>_GSTS	General status
0x1F		SMD<n>_IRQ	Interrupt request register
0x20		SMD<n>_IER	Interrupt enable register
0x21		SMD<n>_ISEL	External event control
0x22		SMD<n>_DMP	Dump enable
0x23		SMD<n>_FSM_STS	FSM core status

6.2.16 CPU register

Table 24. CPU register map

Address	Block	Register name	Register description
0x00.7F00	CPU	A	Accumulator
0x00.7F01		PCE	Program counter extended
0x00.7F02		PCH	Program counter high
0x00.7F03		PCL	Program counter low
0x00.7F04		XH	X-index high
0x00.7F05		XL	X-index low
0x00.7F06		YH	Y-index high
0x00.7F07		YL	Y-index low
0x00.7F08		SPH	Stack pointer high
0x00.7F09		SPL	Stack pointer low
0x00.7F0A		CC	Code condition

Note: Register space accessible in debug mode only.

6.2.17 Global configuration register

Table 25. CFG_GCR register map

Address	Block	Register name	Register description
0x00.7F60	GCR	CFG_GCR	Global configuration

6.2.18 Interrupt controller

Table 26. Interrupt software priority register map

Address	Block	Register name	Register description
0x00.7F70	ITC	ITC_SPR0	Interrupt SW priority register 0
0x00.7F71		ITC_SPR1	Interrupt SW priority register 1
0x00.7F72		ITC_SPR2	Interrupt SW priority register 2
0x00.7F73		ITC_SPR3	Interrupt SW priority register 3
0x00.7F74		ITC_SPR4	Interrupt SW priority register 4
0x00.7F75		ITC_SPR5	Interrupt SW priority register 5
0x00.7F76		ITC_SPR6	Interrupt SW priority register 6
0x00.7F77		ITC_SPR7	Interrupt SW priority register 7

6.2.19 SWIM control register

Table 27. SWIM register map

Address	Block	Register name	Register description
0x00.7F80	SWIM	SWIM_CSR	SWIM control status

7 Interrupt table

The following table shows the STLUX385A internal controller's interrupt.

Table 28. Interrupt vector exception table

Priority	Source block	Description	Wakeup from Halt	Wakeup from active-halt	Interrupt vector address
	RESET	Reset	Yes	Yes	8000h
	TRAP	Software interrupt			8004h
0	NMI	NMI (not maskable interrupt)	Yes ⁽¹⁾	Yes ⁽¹⁾	8008h
1	AWU	Auto-wakeup from Halt		Yes	800Ch
2	CKC	Clock controller			8010h
3	PO	GPIO0[5:0]external interrupts	Yes	Yes	8014h
4	AUXTIM	Auxiliary timer			8018h
5	P2	DIGIN[5:0] external interrupts	Yes	Yes	801Ch
6	SMED0	SMED-0 control logic			8020h
7	SMED1	SMED-1 control logic			8024h
8	RFU	Reserved for future use			8028h
9	RFU	Reserved for future use			802Ch
10	RFU	Reserved for future use			8030h
11	RFU	Reserved for future use			8034h
12	RFU	Reserved for future use			8038h
13	RFU	Reserved for future use			803Ch
14	RFU	Reserved for future use			8040h
15	SMED2	SMED-2 control logic			8044h
16	SMED3	SMED-3 control logic			8048h
17	UART	Tx complete			804Ch
18	UART	Receive register DATA FULL	Indirect ⁽²⁾	Indirect ⁽²⁾	8050h
19	I ² C	I ² C interrupt	Indirect ⁽²⁾	Yes	8054h
20	RFU	Reserved for future use			8058h
21	RFU	Reserved for future use			805Ch
22	ADC	End of conversion			8060h
23	SYS-TMR	Update/overflow			8064h
24	FLASH	EOP/WR_PG_DIS			8068h
25	DALI	DALI interrupt line	Indirect ⁽¹⁾	Indirect ⁽¹⁾	806Ch
26	SMED4	SMED-4 control logic			8070h
27	SMED5	SMED-5 control logic			8074h

Table 28. Interrupt vector exception table (continued)

Priority	Source block	Description	Wakeup from Halt	Wakeup from active-halt	Interrupt vector address
28	RFU	Reserved future use			8078h
29	RFU	Reserved future use			807Ch

1. P0[x] may be configured to generate an NMI request.
2. P0[x] may be configured to generate an IRQ request.

8 Option bytes

The user option byte is a memory E²PROM area allowing users to customize the IC device major functionalities:

- ROP: read-out protection control field
- UBC: user boot code protection
- PWM: configurable reset output value
- WDG: internal watchdog HW configuration
- AFR: alternate multifunction signals configuration
- CKC: clock controller functionalities (PLL, HSE enable, AWU clock selection...)
- HSE: clock stabilization counter
- WAIT: Flash and E²PROM wait state access time has to be configured with value 0x00
- BOOT: configurable internal boot sources
- BL: boot-loader control sequences

Except the ROP byte all the other option bytes are stored twice in a regular (OPT) and complemented format (NOPT) for redundancy. The option byte can be programmed in ICP mode through the SWIM interface or in IAP mode by the application with the exception of the ROP byte that can be only configured via SWIM interface.

Refer to the STM8 Flash programming manual (PM0047) for further information about Flash programming.

Refer to STM8 SWIM communication protocol and debug module user manual (UM0470) for information on SWIM programming procedures.



8.1 Option byte register overview

Table 29. Option byte register overview

Address	Option name	Option bits								Default settings	
		7	6	5	4	3	2	1	0		
4800h	ROP	ROP[7:0]								00h	
4801h	UCB	UCB[7:0]								00h	
4802h	nUCB	nUCB[7:0]								FFh	
4803h	GENCFG	Rst_PWM5	Rst_PWM4	Rst_PWM3	Rst_PWM2	Rst_PWM1	Rst_PWM0	COMP1_2	EN_COLD_CFG	00h	
4804h	nGENCFG	nRst_PWM5	nRst_PWM4	nRst_PWM3	nRst_PWM2	nRst_PWM1	nRst_PWM0	nCOMP1_2	nEN_COLD_CFG	FFh	
4805h	MISCUOPT	-	-	-	-	LSI_EN	IWDG_HW	WWDG_HW	WWDG_HALT	28h	
4806h	nMISCUOPT	-	-	-	-	nLSI_EN	nIWDG_HW	nWWDG_HW	nWWDG_HALT	D7h	
4807h	CLKCTL	-	-	-	CCKAWUSEL1	EXTCLK	CCKAWUSEL0	PRSC[1:0]		09h	
4808h	nCLKCTL	-	-	-	nCCKAWUSEL1	nEXTCLK	nCCKAWUSEL0	nP RSC[1:0]		F6h	
4809h	HSESTAB	HSECNT[7:0]								00h	
480Ah	nHSESTAB	nHSECNT[7:0]								FFh	
480Bh - 480Ch	RESERVED	-								00h - FFh	
480Dh	WAITSTATE	-	-	-	-	-	-	WS[1:0]		00h	
480Eh	nWAITSTATE	-	-	-	-	-	-	nWS[1:0]		FFh	
480Fh	AFR_IOMXP0	-	-	Sel_p054[1:0]			Sel_p032[1:0]		Sel_p010[1:0]		00h

Table 29. Option byte register overview (continued)

Address	Option name	Option bits								Default settings
		7	6	5	4	3	2	1	0	
4810h	nAFR_IOMX P0	-	-	nSel_p054[1:0]		nSel_p032[1:0]		nSel_p010[1:0]		FFh
4811h	AFR_IOMXP 1	AUXTIM	-	Sel_p15	Sel_p14	Sel_p13	Sel_p12	Sel_p11	Sel_p10	00h
4812h	nAFR_IOMX P1	nAUXTIM	-	nSel_p15	nSel_p14	nSel_p13	nSel_p12	nSel_p11	nSel_p10	FFh
4813h	AFR_IOMXP 2	-	-	-	Sel_p254	-	-	-	-	00h
4814h	nAFR_IOMX P2	-	-	-	nSel_p254	-	-	-	-	FFh
4815h	MSC_OPT0	-	-	UARTLine(1:0)		-	BOTSEL[2:0]			00h
4816h	nMSC_OPT0	-	-	nUARTLine(1:0)		-	nBOTSEL[2:0]			FFh
487Dh	Reserved	-	-	-	-	-	-	-	-	00h
487Eh	OPTBL	BL(7:0)								00h
487Fh	nOPTBL	nBL(7:0)								FFh

Note: *The default setting values refer to the factory configuration. The factory configuration can be overwritten by the user in accordance with the target application requirements.*

This area of memory may be erased by the global Flash erase instruction generated by an unauthorized attempt to modify the ROP protection.

8.2 Option byte register description

The option byte registers are mapped inside the E²PROM data region.

ROP (memory read-out protection register)

Offset: 0x004800

Default value: 0x00

7	6	5	4	3	2	1	0
ROP [7:0]							
r/w							

Bit 7-0:

ROP[7:0] memory read-out protection:

0xAA: enable read-out protection. When read-out protection is enabled, reading or modifying the Flash program memory and DATA area in ICP mode (using the SWIM interface) is forbidden, whatever the write protection settings are.

UBC (UBC user boot code reg.)

Offset: 0x004801

Default value: 0x00

7	6	5	4	3	2	1	0
UBC [7:0]							
r/w							

Bit 7-0:

UBC[7:0] user boot code write protection memory size:

0x00: no UBC, no Flash memory write-protection

0x01: pages 0 to 1 defined as UBC; 1 Kbyte memory write-protected (0x00.8000-0x00.83FF)

0x02: pages 0 to 3 defined as UBC; 2 Kbyte memory write-protected (0x00.8000-0x00.87FF)

0x03: pages 0 to 4 defined as UBC; 2.5 Kbyte memory write-protected (0x00.8000-0x00.89FF)

...

0x3E: pages 0 to 63 defined as UBC; 32 Kbyte memory write-protected (0x00.8000-0x00.FFFF)

Other values: reserved

nUBC (UBC user boot code reg. protection)

Offset: 0x004802

Default value: 0xFF

7	6	5	4	3	2	1	0
nUBC [7:0]							
r/w							

nUBC: not(UBC) EMC byte protection.

GENCFG (general configuration reg.)

Offset: 0x004803

Default value: 0xFF

7	6	5	4	3	2	1	0
Rst_PWM [5:0]						COMP1_2	EN_COLD_CFG
r/w						r/w	r/w

Bit 0:

EN_COLD_CFG enables IC cold configuration through the option byte register AFR_IOMXP0,P1:

0: default case, the IC multifunction signal configuration is performed by the miscellaneous registers MSC_IOMXP0 and MSC_IOMXP1 (warm configuration).

1: enables the multifunction signal configuration through the option byte registers AFR_IOMXP0 and AFR_IOMXP1 (cold configuration).

Bit 1:

COMP1_2 enables the complete backward compatibility with the previous device implementations. In detail, below features are inhibited:

Multiplexing of I²C interface on GPIO[5:4], GPIO[1:0], DIGIN[5:4]

Multiplexing of UART interface on GPIO[5:4]

Port0 and Port2 interrupt mask feature (polling)

DIGIN[5:0] pull-up disabling feature

DALI noise rejection filter

Note: This bit setting ensures the full device compatibility with the previous device model (STLUX385).

Bit 7:2:

Rst_PWM[5:0] configures the PWM[n] reset value after the NRST signal

0: PWM[n] output low level (native default value)

1: PWM[n] output high level

Note: The PWM signal programmed reset value is configured during the option byte loader phase, then before the NRST is released it assumes its proper initial values.

nGENCFG (general configuration reg. protect.)

Offset: 0x004804

Default value: 0xFF

7	6	5	4	3	2	1	0
Rst_PWM [5:0]						nCOMP1_2	nEN_COLD_CFG
r/w						r/w	r/w

nGENCFG: not(GENCFG) EMC byte protection

MISCUOPT (miscellaneous config. reg.)

Offset: 0x004805

Default value: 0x28 (factory configuration)

7	6	5	4	3	2	1	0
RFU		RFU	RFU	LSI_EN	IWdg_hw	WWdg_hw	WWdg_HAL T
r		r	r	r/w	r/w	r/w	r/w

Bit 0:

WWdg_HALT window watchdog reset on Halt:

0: No reset generated on Halt if WWDG is active

1: Reset generated on Halt if WWDG is active

Bit 1:

WWdg_hw window watchdog hardware enable:

0: Window watchdog activation by SW

1: Window watchdog activation by HW

Bit 2:

IWdg_hw independent watchdog hardware enable:

0: Independent watchdog activation by SW

1: Independent watchdog activation by HW

Bit 3:

LSI_EN low speed internal RCOSC clock enable:

0: LSI clock is not available to CPU

1: LSI clock is enabled for CPU

Bit 4:

RFU reserved; must be kept 0 during register writing for future compatibility

Bit 5:

RFU reserved; must be kept 1 during register writing for future compatibility

Bit 7-6:

RFU reserved; must be kept 0 during register writing for future compatibility

nMISCUOPT (miscellaneous config. reg. protect.)

Offset: 0x004806

Default value: 0xD7

7	6	5	4	3	2	1	0
RFU		RFU	RFU	nLSI_EN	nWdg_hw	nWWdg_hw	nWWdg_HAL T
r		r	r	r/w	r/w	r/w	r/w

nMISCUOPT: not(MISCUOPT) EMC byte protection

CLKCTL (CKC configuration reg.)

Offset: 0x004807

Default value: 0x09 (factory configuration)

7	6	5	4	3	2	1	0
RFU			CKAWUSEL1	EXTCLK	CKAWUSEL0	PRSC [1:0]	
r			r/w	r/w	r/w	r/w	

Bit 1-0:

PRSC[1:0] prescaler value for HSE to provide AWU unit with the low speed clock:

00: 24 MHz to 128 kHz prescaler

01: 16 MHz to 128 kHz prescaler

10: 8 MHz to 128 kHz prescaler

11: 4 MHz to 128 kHz prescaler

Bit 3:

EXTCLK external clock selection:

- 0: External crystal oscillator clock connected to HseOscin and HseOscout signals
- 1: External direct drive clock connected to HseOscin

Bit 4,2:

CKAWUSEL[1:0] AWU clock selection:

- 00: Low speed internal clock used for AWU module
- 01: HSE high speed external clock with prescaler used for AWU module
- 10: Reserved encoding value
- 11: Reserved encoding value

Bit 7-5:

RFU reserved; must be kept 0 during register writing for future compatibility

nCLKCTL (CKC configuration reg.)

Offset: 0x004808

Default value: 0xF6 (factory configuration)

7	6	5	4	3	2	1	0
RFU			nCKAWUSEL1	nEXTCLK	nCKAWUSEL0	nPRSC [1:0]	
r			r/w	r/w	r/w	r/w	

nCLKCTL: not(CLKCTL) EMC byte protection.

HSESTAB (HSE clock stabilization reg.)

Offset: 0x004809

Default value: 0x00

7	6	5	4	3	2	1	0
HSECNT [7:0]							
r/w							

Bit 7-0:

HSECNT[7:0] HSE crystal oscillator stabilization cycles:

- 0x00: 2048 clock cycles
- 0xB4: 128 clock cycles
- 0xD2: 8 clock cycles
- 0xE1: 0.5 clock cycles

nHSESTAB (HSE clock stabilization reg. protect.)

Offset: 0x00480A

Default value: 0xFF

7	6	5	4	3	2	1	0
nHSECNT [7:0]							
r/w							

nHSESTAB: not(HSESTAB) EMC byte protection.

WAITSTATE (Flash wait state reg.)

Offset: 0x00480D

Default value: 0x00

7	6	5	4	3	2	1	0
RFU						Waitstat [1:0]	
r						r/w	

Bit 1-0:

Waitstat[1:0] configures the E²PROM and Flash programmable delay read access time:00: 0 no delay cycle (default case $f_{MASTER}@16$ MHz)

01: 1 delay cycles

10: 2 delay cycles

11: 3 delay cycles

Bit 7-2:

RFU reserved; must be kept 0 during register writing for future compatibility

nWAITSTATE (Flash wait state reg.)

Offset: 0x00480E

Default value: 0xFF

7	6	5	4	3	2	1	0
RFU						nWaitstat [1:0]	
r						r/w	

nWAITSTATE: not(WAITSTATE) EMC byte protection.

AFR_IOMXP0 (alternative Port0 config. reg.)

Offset: 0x00480F

Default value: 0x00

7	6	5	4	3	2	1	0
RFU		Sel_p054 [1:0]		Sel_p032 [1:0]		Sel_p010 [1:0]	
r		r/w		r/w		r/w	

Bit 5-0:

Refer to MSC_IOMXP0 miscellaneous register field description [Section 6.2](#)

Bit 7-6:

RFU reserved; must be kept 0 during register writing for future compatibility

nAFR_IOMXP0 (alternative Port0 config. reg. protect.)

Offset: 0x004810

Default value: 0xFF

7	6	5	4	3	2	1	0
RFU		nSel_p054 [1:0]		nSel_p032 [1:0]		nSel_p010 [1:0]	
r		r/w		r/w		r/w	

nAFR_IOMXP0: not(AFR_IOMXP0) EMC byte protection.

AFR_IOMXP1 (alternative Port1 config. reg.)

Offset: 0x004811

Default value: 0x00

7	6	5	4	3	2	1	0
AUXTIM	RFU	Sel_p15	Sel_p14	Sel_p13	Sel_p12	Sel_p11	Sel_p10
r	r	r/w	r/w	r/w	r/w	r/w	r/w

Bit 5-0:

Refer to MSC_IOMXP1 miscellaneous register field description [Section 6.2.3](#)

Bit 6:

RFU reserved; must be kept 0 during register writing for future product compatibility

Bit 7:

AUXTIM CCO Aux timer compatibility features

0: CCO Aux timer enabled

1: CCO Aux timer disabled

nAFR_IOMXP1 (alternative Port1 config. reg. protect)

Offset: 0x004812

Default value: 0xFF

7	6	5	4	3	2	1	0
nAUXTIM	RFU	nSel_p15	nSel_p14	nSel_p13	nSel_p12	nSel_p11	nSel_p10
r	r	r/w	r/w	r/w	r/w	r/w	r/w

nAFR_IOMXP1: not(AFR_IOMXP1) EMC byte protection.

AFR_IOMXP2 (alternative Port2 config. reg.)

Offset: 0x004811

Default value: 0x00

7	6	5	4	3	2	1	0
RFU			Sel_p254	RFU	RFU	RFU	RFU
r			r	r	r	r	r

Bit 3-0:

RFU reserved; must be kept 0 during register writing for future product compatibility

Bit 4:

Refer to MSC_IOMXP2 Miscellaneous register field description [Section 6.2.3](#)

Bit 7-5:

RFU reserved; must be kept 0 during register writing for future product compatibility

Offset: 0x004812

Default value: 0xFF

7	6	5	4	3	2	1	0
RFU			nSel_p254	RFU	RFU	RFU	RFU
r			r	r	r	r	r

nAFR_IOMXP2: not(AFR_IOMXP2) EMC byte protection.

MSC_OPT0 (misc. config. reg0.)

Offset: 0x004815

Default value: 0x00

7	6	5	4	3	2	1	0
RFU		UARTline [1:0]		RFU	Bootsel [2:0]		
r		r/w		r	r/w		

Bit 2-0:

Bootsel[2:0] boot-rom peripheral enables:

000: Automatic scan boot sources; this selection enables the automatic scan configuration sequence of all possible initializing peripheral devices: Periph0(UART), Periph1(RFU), Periph2(RFU).

001: Enable boot source: Periph0

010: Enable boot source: Periph1

011: Enable boot sources: Periph1, Periph0

100: Enable boot source: Periph2

101: Enable boot sources: Periph2, Periph0

110: Enable boot sources: Periph2, Periph1

111: Enable boot sources: Periph2, Periph1, Periph0

Bit 3:

RFU reserved; must be kept 0 during register writing for future compatibility

Bit 5-4:

UARTline[1:0] selects the UART port configuration pins involved during the bootload sequence in warm configuration mode; in case of cold configuration, this field is ignored since the UART port is selected by register AFR_IOXP0.

00: Boot sequence with UART i/f configured in all possible UART multiplexed signal schemes. This sequence is used when UART i/f position is not specified.

01: Boot sequence with UART i/f configured on P0(1,0)

10: Boot sequence with UART i/f configured on P0(3,2)

11: Boot sequence with UART i/f configured on P0(5,4)

Bit 7-6:

RFU reserved; must be kept 0 during register writing for future compatibility

nMSC_OPT0 (misc. config. reg0. protect)

Offset: 0x004816

Default value: 0xFF

7	6	5	4	3	2	1	0
RFU		UARTline [1:0]		RFU	nBootsel [2:0]		
r		r/w		r	r/w		

nMSC_OPT0: not(MSC_OPT0) EMC byte protection.

OPTBL (option byte bootloader)

Offset: 0x00487E

Default value: 0x00

7	6	5	4	3	2	1	0
BL [7:0]							
r/w							

Bit 7-0:

BL[7:0] bootloader field checked by the internal BootROM code during the STLUX385A initialization phase. The content of register locations 0x00487E, 0x00487F and 0x008000 determine the bootloader SW flow execution sequence.

OPTBL (option byte boot loader protect.)

Offset: 0x00487F

Default value: 0x00

7	6	5	4	3	2	1	0
nBL [7:0]							
r/w							

nOPTBL: not(OPTBL) EMC byte protection.

9 Device identification

9.1 Unique ID

The STLUX385A provides a 56-bits unique identifier code usable as device identification number which can be used to increase the device security. The unique ID code is a frozen signature not alterable by user.

The unique device identifier is ideally used by the application software and is suited for:

- serial code
- security keys in conjunction with cryptographic software to increase the embedded flash code security
- activating the secure boot sequence

Table 30. Unique ID register overview

Address	Option name	Unique ID bits							
		7	6	5	4	3	2	1	0
48E0h	UID0	LotNum[7:0]							
48E1h	UID1	LotNum[15:8]							
48E2h	UID2	LotNum[23:16]							
48E3h	UID3	WaferNum[4:0]				Xcoord[7:5]			
48E4h	UID4	Xcoord[4:0]				Ycoord[7:5]			
48E5h	UID5	Ycoord[4:0]				LotNum[42:40]			
48E6h	UID6	LotNum[31:24]							
48E7h	UID7	LotNum[39:32]							

9.2 Device ID

The STLUX385A device identification model is coded in the following register area and it cannot be altered by the user.

The register fields have the follow meaning:

Dev_ID [7:0]:

- Device identification model
- 0x00: STLUX385
- Others: RFU reserved values

Rev_ID [4:0]:

- Revision identification model
- 00000: STLUX385
- 00001: STLUX385A
- Others: RFU reserved values

Table 31. Dev ID register overview

Address	Option name	Dev ID bits								Default settings
		7	6	5	4	3	2	1	0	
4896h	DVD0	DEV_ID[7:0]								00h
4897h	nDVD0	nDEV_ID[7:0]								FFh
4898h	DVD1	RFU			Rev_ID[4:0]					01h
4899h	nDVD1	nRFU			nRev_ID[4:0]					FEh

10 Electrical characteristics

10.1 Parameter conditions

Unless otherwise specified, all voltages are referred to V_{SS} . V_{DDA} and V_{DD} must be connected to the same voltage value.

10.1.1 Minimum and maximum values

Unless otherwise specified, the minimum and maximum values are guaranteed in the worst conditions of ambient temperature, supply voltage and frequencies by tests in production on 100% of the devices with an ambient temperature at $T_A = 25\text{ }^\circ\text{C}$ and $T_A = T_A\text{ max.}$ (given by the selected temperature range).

Data based on characterization results, design simulation and/or technology characteristics are indicated in the table footnotes and are not tested in production.

10.1.2 Typical values

Unless otherwise specified, typical data are based on $T_A = 25\text{ }^\circ\text{C}$, V_{DD} and $V_{DDA} = 3.3\text{ V}$. They are given only as design guidelines and are not tested. Typical ADC accuracy values are determined by characterization of a batch of samples from a standard diffusion lot over the full temperature range.

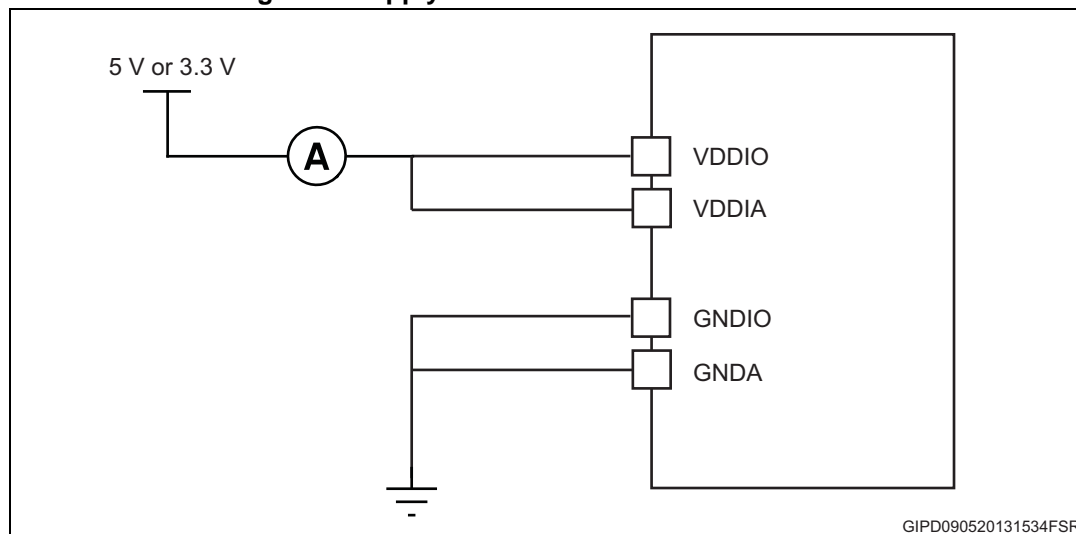
10.1.3 Typical curves

Unless otherwise specified, all typical curves are given as design guidelines only and are not tested.

10.1.4 Typical current consumption

For typical current consumption measurements, V_{DD} and V_{DDA} are connected together as shown in the following picture.

Figure 9. Supply current measurement conditions

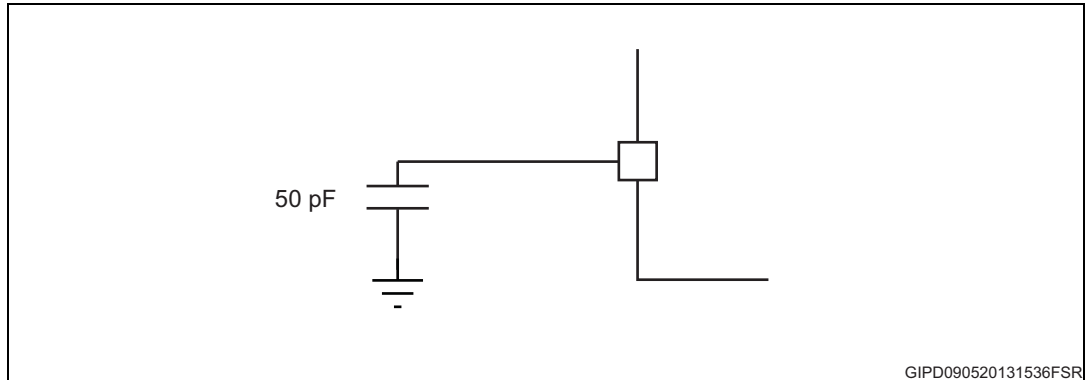


GIPD090520131534FSR

10.1.5 Loading capacitors

The loading conditions used for pin parameter measurement are shown in the following picture:

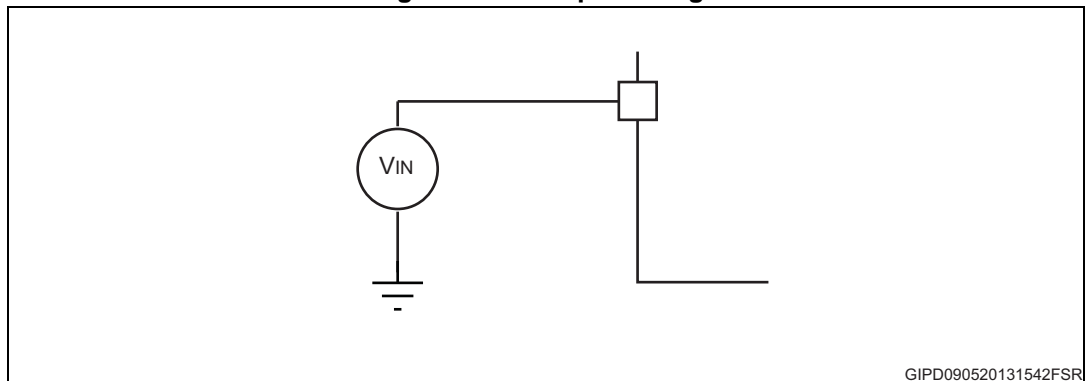
Figure 10. Pin loading conditions



10.1.6 Pin output voltage

The input voltage measurement on a pin is described in the following picture.

Figure 11. Pin input voltage



10.2 Absolute maximum ratings

Stresses above those listed as 'absolute maximum ratings' may cause permanent damage to the device. This is a stress rating only and functional operation of the device under these conditions is not implied. Exposure to maximum rating conditions for extended periods may affect the device reliability.

Table 32. Voltage characteristics

Symbol	Ratings	Min.	Max.	Unit
$V_{DDX} - V_{SSX}$	Supply voltage ⁽¹⁾	-0.3	6.5	V
V_{IN}	Input voltage on any other pin ⁽²⁾	$V_{SS} - 0.3$	$V_{DD} + 0.3$	
$V_{DD} - V_{DDA}$	Variation between different power pins		50	mV
$V_{SS} - V_{SSA}$	Variation between all the different ground pins ⁽³⁾		50	
V_{ESD}	Electrostatic discharge voltage	Refer to absolute maximum ratings (electrical sensitivity) on Section 10.4.1		

1. All power V_{DDX} (V_{DD} , V_{DDA}) and ground V_{SSX} (V_{SS} , V_{SSA}) pins must always be connected to the external power supply.
2. $I_{INJ(PIN)}$ must never be exceeded. This is implicitly insured if V_{IN} maximum is respected. If V_{IN} maximum cannot be respected, the injection current must be limited externally to the $I_{INJ(PIN)}$ value. A positive injection is induced by $V_{IN} > V_{DD}$ while a negative injection is induced by $V_{IN} < V_{SS}$.
3. V_{SS} and V_{SSA} signals must be interconnected together with a short wire loop.

Table 33. Current characteristics

Symbol	Ratings	Max. ⁽¹⁾	Unit
I_{VDDX}	Total current into V_{DDX} power lines ⁽²⁾	100	mA
I_{VSSX}	Total current out of V_{SSX} power lines ⁽²⁾	100	
I_{IO}	Output current sunk by any I/Os and control pin	Ref.	
	Output current source by any I/Os and control pin		
$I_{INJ(PIN)}$ ^{(3) (4)}	Injected current on any pin	± 4	
$I_{INJ(TOT)}$ ⁽³⁾⁽⁴⁾⁽⁵⁾	Sum of injected currents	± 20	

1. Data based on characterization results, not tested in production.
2. All power V_{DDX} (V_{DD} , V_{DDA}) and ground V_{SSX} (V_{SS} , V_{SSA}) pins must always be connected to the external power supply.
3. $I_{INJ(PIN)}$ must never be exceeded. This is implicitly insured if V_{IN} maximum is respected. If V_{IN} maximum cannot be respected, the injection current must be limited externally to the $I_{INJ(PIN)}$ value. A positive injection is induced by $V_{IN} > V_{DD}$ while a negative injection is induced by $V_{IN} < V_{SS}$.
4. Negative injection disturbs the analog performance of the device.
5. When several inputs are submitted to a current injection, the maximum $\Sigma I_{INJ(PIN)}$ is the absolute sum of the positive and negative injected currents (instantaneous values). These results are based on characterization with $\Sigma I_{INJ(PIN)}$ maximum current injection on four I/O port pins of the device.

Table 34. Thermal characteristics

Symbol	Ratings	Max.	Unit
T _{STG}	Storage temperature range	-65 to 150	°C
T _J	Maximum junction temperature	150	

10.3 Operating conditions

The device must be used in operating conditions that respect the parameters in the table below. In addition, full account must be taken for all physical capacitor characteristics and tolerances.

Table 35. General operating conditions

Symbol	Parameter	Conditions	Min.	Typ.	Max.	Unit
f _{CPU}	Internal CPU clock frequency	-40 ≤ T _A ≤ 105 °C	0		16	MHz
V _{DD1} , V _{DDA1}	Operating voltages		3 ⁽¹⁾		5.5 ⁽¹⁾	V
V _{DD} , V _{DDA}	Nominal operating voltages		3.3 ⁽¹⁾		5 ⁽¹⁾	
V _{OUT}	Core digital power supply			1.8 ⁽²⁾		
	C _{VOUT} : capacitance of external capacitor ⁽³⁾	at 1 MHz	470		3300	nF
	ESR of external capacitor ⁽²⁾		0.05		0.2	Ω
	ESL of external capacitor ⁽²⁾				15	nH
Θ _{JA} ⁽⁴⁾	FR4 multilayer PCB			80		°C/W
T _A	Ambient temperature	Pd=100 mW	-40		105	°C

1. The external power supply can be within range from 3 V up to 5.5 V although IC performances are optimized for power supply equal to 3.3 V.
2. Internal core power supply voltage.
3. Care should be taken when the capacitor is selected due to its tolerance, its dependency on temperature, DC bias and frequency.
4. To calculate P_{Dmax} (T_A), use the formula P_{Dmax} = (T_{Jmax} - T_A)/Θ_{JA}.

Table 36. Operating conditions at power-up/power-down

Symbol	Parameter	Conditions	Min. ⁽¹⁾	Typ.	Max. ⁽¹⁾	Unit
t _{VDD}	V _{DD} rise time rate		2 μs/V		1 sec/V ⁽²⁾	
	V _{DD} fall time rate		2 μs/V		1 sec/V ⁽²⁾	
t _{TEMP}	Reset release delay	V _{DD} rising		3		ms

Table 36. Operating conditions at power-up/power-down (continued)

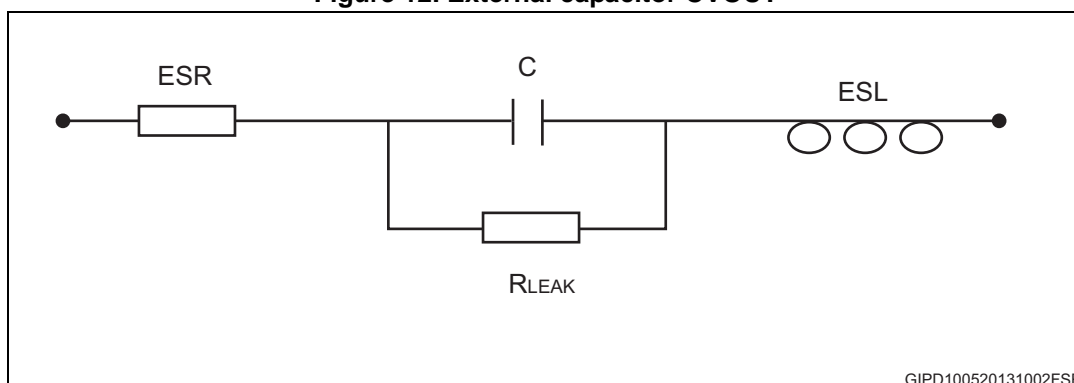
Symbol	Parameter	Conditions	Min. ⁽¹⁾	Typ.	Max. ⁽¹⁾	Unit
V_{IT+}	Power-on reset threshold		2.65	2.8	2.98	V
V_{IT-}	Brown-out reset threshold		2.58	2.73	2.88	
$V_{HYS(BOR)}$	Brown-out reset hysteresis			70		mV

1. Guaranteed by design, not tested in production.
2. Power supply ramp must be monotone

10.3.1 VOUT external capacitor

The stabilization of the main regulator is achieved by connecting an external capacitor CVOU^(a) to the VOUT pin. CVOU is specified in the operating condition section. Care should be taken to limit the series inductance to less than 15 nH.

Figure 12. External capacitor CVOU



10.3.2 Supply current characteristics

The STLUX385A supply current is calculated by summing the supply base current in the desired operating mode as per [Table 37](#), with the peripheral supply current value reported in [Table 39](#) and [Table 40](#).

For example, considering an application where:

- $f_{MASTER} = f_{CPU} = 16$ MHz provided by HSI internal RC oscillator
- CPU code execution in Flash
- All base peripheral actives: I²C, UART, DALI, ITC, GPIO0, SysTimr, WWDG and IWDG
- ADC conversion frequency $f_{ADC} = 5.3$ MHz
- ACU (comparator and DAC units) actives
- 6 PWM toggling @ $f_{PWM} = 0.5$ MHz provided by 6 SMEDs running @ $f_{SMED} = 12$ MHz ($N_{PWM} = 6$)

a. ESR is the equivalent series resistance and ESL is the equivalent inductance.

The total current consumption is given by the following formula:

$$I_{DD} = I_{DD(Run2)} + I_{DD(ADC2)} + I_{DD(ACU)} + I_{DD(PLL)} + I_{DD(PWM)}$$

where $I_{DD(PWM)} = I_{DD(PWM1)} \cdot N_{PWM}$

More generally, the PWM current consumption has to be individually evaluated for each f_{SMED} clock grouping, using the formula below:

$$I_{DD(PWM)} = \sum_{i=1}^{Nf_{SMED}} [I_{DD(PWM[i])} \cdot N_i]$$

where $i = f_{SMED}$ clock group index; $N_i = PWM$ number of the i -th clock group; $N_{f_{SMED}} = f_{SMED}$ clock group number.

IC supply base current consumption

The following table summarizes the current consumption measured on V_{DD}/V_{DDA} supply pins in relevant operative conditions.

Table 37. Supply base current consumption at $V_{DD}/V_{DDA} = 3.3/5 V$

Symbol	Code	Clock			Peripheral	Consumption ⁽⁶⁾		Note
		SRC ⁽²⁾ Clock	f_{MASTER} MHz	f_{CPU} MHz		Typ. ⁽⁵⁾ mA	Max. ⁽⁵⁾ mA	
Op. mode	Code area				Periph ^(1,4) Enable			Description
$I_{DD(Run1)}$	Flash	HSI	2	2	All	2.3	2.77	Reset exit condition
$I_{DD(Run2)}$	Flash	HSI	16	16	All	9.4	11.3	
$I_{DD(Run3)}$	RAM	HSI	16	16	All	4.2	5.1	
$I_{DD(Run4)}$	Flash	HSE ⁽¹⁾	16	16	All	10.0	12.1	$V_{DD}/V_{DDA} = 3.3 V$
						10.6	12.74	$V_{DD}/V_{DDA} = 5 V$
$I_{DD(Run5)}$	RAM	HSE ⁽⁵⁾	16	16	All	4.6	5.53	$V_{DD}/V_{DDA} = 3.3 V$
						5.2	6.63	$V_{DD}/V_{DDA} = 5 V$
$I_{DD(SLOW1)}$	Flash	HSI	16	2	All	3.6	4.33	
$I_{DD(SLOW2)}$	RAM	HSI	16	2	All	2.9	3.5	
$I_{DD(SLOW3)}$	Flash	HSE ⁽⁵⁾	16	2	All	3.9	4.7	$V_{DD}/V_{DDA} = 3.3 V$
						4.5	5.5	$V_{DD}/V_{DDA} = 5 V$
$I_{DD(SLOW4)}$	Flash	HSI	16	0.125	All	2.7	3.3	
$I_{DD(SLOW5)}$	Flash	HSE ⁽⁵⁾	16	0.125	All	3.0	3.7	$V_{DD}/V_{DDA} = 3.3 V$
						3.6	4.4	$V_{DD}/V_{DDA} = 5 V$
$I_{DD(SLOW6)}$	Flash	LSI	0,153	0.153	All	1.5	1.9	
$I_{DD(WF11)}$	Flash	HSI	16	16	All	2.6	3.2	

Table 37. Supply base current consumption at $V_{DD}/V_{DDA} = 3.3/5$ V (continued)

Symbol	Code	Clock			Peripheral	Consumption ⁽⁶⁾		Note
		HSE ⁽⁵⁾	16	16		3.1	3.8	
I _{DD(WFI2)}	Flash	HSE ⁽⁵⁾	16	16	All	3.1	3.8	V _{DD} /V _{DDA} =3.3 V
						3.8	5.6	V _{DD} /V _{DDA} =5 V

1. "All" means: I2C, UART, Dali, ITC, GPIO0, SysTimr, WWDG and IWDG peripherals active.
2. f_{MASTER} clock source.
3. HSE frequency provided by external quartz.
4. The peripheral current consumption is supplied by the V_{CORE} voltage (1.8 V).
5. Temperature operating: TA= 25 °C.
6. Data based on characterization results not tested in production.

IC low power current consumption

The following table summarizes the current consumption measured on V_{DD}/V_{DDA} supply pins in power saving conditions.

Table 38. Supply low power consumption at $V_{DD}/V_{DDA} = 3.3/5$ V

Symbol	Code	Clock		Peripheral		Consumption ⁽¹¹⁾		Note
		SRC ⁽³⁾	f _{MASTER} f _{CPU}	E ² PROM ⁽⁶⁾	MVRreg. ⁽⁵⁾	Typ. ^(8,10)	Max. ^(9,10)	
Op. mode ⁽¹⁾⁽²⁾	Code area	Clock	MHz	Enable	Enable	mA	mA	Description
I _{DD(AHLT1)}	Flash	HSI	16	Enable	Enable	0.23	0.32	AWU clocked by LSI
I _{DD(AHLT2)}	Flash	HSI	16	Enable	Disable	0.085	0.12	AWU clocked by LSI
I _{DD(AHLT3)}	Flash	HSE ^(4,7)	16	Enable	Enable	0.73	0.90	V _{DD} /V _{DDA} =3.3 V
						1.4	1.7	V _{DD} /V _{DDA} =5 V
I _{DD(AHLT4)}	Flash	HSE ^(4,7)	16	Enable	Disable	0.65	0.95	V _{DD} /V _{DDA} =3.3 V
						1.2	1.45	V _{DD} /V _{DDA} =5 V
I _{DD(HLT1)}	Flash	HSI	16	Enable	Disable	0.087	0.13	
I _{DD(HLT2)}	Flash	HSE ^(4,7)	16	Enable	Disable	0.075	0.11	V _{DD} /V _{DDA} =3.3 V
						0.090	0.15	V _{DD} /V _{DDA} =5 V

1. Active-halt op. mode: all peripherals except AWU and IWDG are disabled (clock gated).
2. HALT op. mode: all peripherals are disabled (clock gated).
3. f_{MASTER} clock source.
4. HSE frequency provided by external quartz.
5. V_{CORE} Main DC voltage regulator.
6. E²PROM is considered always enabled.
7. AWU clocked by HSE source clock.
8. Temperature operating: $T_A = 25\text{ }^\circ\text{C}$.
9. Temperature operating: $T_A = 105\text{ }^\circ\text{C}$.
10. All the analog input signals are connected to GND; the signals of port P0, P1 and P2 are configured as input with pull-up enabled.
11. Data based on characterization results not tested in production.

Note: All the input analog signals are connected to GND; signals of port P0, P1 and P2 are configured as input with pull-up enabled.

IC peripheral current consumption (3.3 V)

The following table summarizes the peripheral current consumption measured on $V_{\text{DD}}/V_{\text{DDA}}$ supply pins.

Table 39. Peripheral supply current consumption at $V_{\text{DD}}/V_{\text{DDA}} = 3.3\text{ V}$

Symbol	Clock				Peripherals			Consumption ⁽⁹⁾	
	Op.mode	$f_{\text{SMED}}^{(1)}$ MHz	$f_{\text{PWM}}^{(2)}$ MHz	$f_{\text{ADC}}^{(3)}$ MHz	ADC ⁽⁷⁾ Enb/Dis	PWM ^{(4),(5)} Num	ACU ⁽⁶⁾ Enb/Di s	Typ ⁽⁸⁾ mA	Max ⁽⁸⁾ mA
$I_{\text{DD}}(\text{PLL})$	Enab	0	0	0	Disab	0	Disab	2.26	2.7
$I_{\text{DD}}(\text{ACU})$	Disab	0	0	0	Disab	0	Enab	1.89	2.27
$I_{\text{DD}}(\text{PWM1PLL96})$	Enab	96	0.5	0	Disab	1	Disab	1.75	2.1
$I_{\text{DD}}(\text{PWM6PLL96})$						6		10.12	12.2
$I_{\text{DD}}(\text{PWM1PLL48})$	Enab	48	0.5	0	Disab	1	Disab	1.12	1.33
$I_{\text{DD}}(\text{PWM6PLL48})$						6		6.54	7.85
$I_{\text{DD}}(\text{PWM1PLL24})$	Enab	24	0.5	0	Disab	1	Disab	0.71	0.86
$I_{\text{DD}}(\text{PWM6PLL24})$						6		4.39	5.27
$I_{\text{DD}}(\text{PWM1PLL12})$	Enab	12	0.5	0	Disab	1	Disab	0.54	0.65
$I_{\text{DD}}(\text{PWM6PLL12})$						6		3.33	4
$I_{\text{DD}}(\text{PWM1PLL6})$	Enab	6	0.5	0	Disab	1	Disab	0.44	0.53
$I_{\text{DD}}(\text{PWM6PLL6})$						6		2.81	3.4

Table 39. Peripheral supply current consumption at $V_{DD}/V_{DDA} = 3.3\text{ V}$ (continued)

Symbol	Clock				Peripherals			Consumption ⁽⁹⁾	
	Enab	16	0.5	0	Disab	1	Disab	0.46	0.56
$I_{DD}(PWM1HSI16)$	Enab	16	0.5	0	Disab	1	Disab	0.46	0.56
$I_{DD}(PWM6HSI16)$						6		2.63	3.3
$I_{DD}(PWM1HSI8)$	Enab	8	0.5	0	Disab	1	Disab	0.34	0.41
$I_{DD}(PWM6HSI8)$						6		2.12	2.55
$I_{DD}(PWM1HSI4)$	Enab	4	0.5	0	Disab	1	Disab	0.29	0.35
$I_{DD}(PWM6HSI4)$						6		1.78	2.2
$I_{DD}(PWM1HSI2)$	Enab	2	0.5	0	Disab	1	Disab	0.25	0.3
$I_{DD}(PWM6HSI2)$						6		1.60	1.93
$I_{DD}(ADC1)$	Disab	0	0	1	Enab	0	Disab	1.55	1.87
$I_{DD}(ADC2)$	Disab	0	0	5.3	Enab	0	Disab	1.59	1.91
$I_{DD}(ADC3)$	Enab	0	0	6	Enab	0	Disab	1.56	1.88

- SMED frequency:
 - 96 MHz and 6 MHz frequencies require the PLL enabled.
 - Current table shows only a subset value of possible SMED frequencies.
- PWM frequency:
 - PWM toggle frequency is considered fixed to 500 kHz, close to the maximum applicative value.
- ADC frequency:
 - 6 MHz frequency requires the PLL enabled.
 - Current table shows only a subset value of possible ADC frequencies
- Number of active PWMs.
- PWM pins are loaded with a CL (load capacitance) of 50 pF.
- If enabled all DACs and comparator units are active.
- ADC configured in circular mode.
- Temperature operating: TA= 25 °C.
- Data based on characterization results not tested in production.

IC peripheral current consumption (5 V)

The following table summarizes the peripheral current consumption measured on V_{DD}/V_{DDA} supply pins.

Table 40. Peripheral supply current consumption at $V_{DD}/V_{DDA} = 5\text{ V}$

Symbol	Clock				Peripherals			Consumption	
	PLL	$f_{SMED}^{(1)}$	$f_{PWM}^{(2)}$	$f_{ADC}^{(3)}$	ADC ⁽⁷⁾	PWM ^(4,5)	ACU ⁽⁶⁾	Typ ⁽⁸⁾	Max ⁽⁸⁾
Op. Mode	Enb/Dis	MHz	MHz	MHz	Enb/Dis	Num	Enb/Dis	mA	mA
$I_{DD}(PLL)$	Enab	0	0	0	Disab	0	Disab	2.32	2.78
$I_{DD}(ACU)$	Disab	0	0	0	Disab	0	Enab	2.22	2.66

Table 40. Peripheral supply current consumption at $V_{DD}/V_{DDA} = 5\text{ V}$ (continued)

Symbol	Clock				Peripherals			Consumption	
	Enab	96	0.5	0	Disab	1	Disab	1.81	2.17
$I_{DD}(PWM1PLL96)$	Enab	96	0.5	0	Disab	1	Disab	1.81	2.17
$I_{DD}(PWM6PLL96)$						6		10.49	12.59
$I_{DD}(PWM1PLL48)$	Enab	48	0.5	0	Disab	1	Disab	1.18	1.42
$I_{DD}(PWM6PLL48)$						6		6.88	8.26
$I_{DD}(PWM1PLL24)$	Enab	24	0.5	0	Disab	1	Disab	0.79	0.95
$I_{DD}(PWM6PLL24)$						6		4.73	5.68
$I_{DD}(PWM1PLL12)$	Enab	12	0.5	0	Disab	1	Disab	0.58	0.7
$I_{DD}(PWM6PLL12)$						6		3.66	4.4
$I_{DD}(PWM1PLL6)$	Enab	6	0.5	0	Disab	1	Disab	0.49	0.6
$I_{DD}(PWM6PLL6)$						6		3.11	3.75
$I_{DD}(PWM1HSI16)$	Enab	16	0.5	0	Disab	1	Disab	0.56	0.67
$I_{DD}(PWM6HSI16)$						6		3.13	3.78
$I_{DD}(PWM1HSI8)$	Enab	8	0.5	0	Disab	1	Disab	0.49	0.58
$I_{DD}(PWM6HSI8)$						6		2.56	3.1
$I_{DD}(PWM1HSI4)$	Enab	4	0.5	0	Disab	1	Disab	0.39	0.47
$I_{DD}(PWM6HSI4)$						6		2.33	2.78
$I_{DD}(PWM1HSI2)$	Enab	2	0.5	0	Disab	1	Disab	0.47	0.54
$I_{DD}(PWM6HSI2)$						6		2.1	2.49
$I_{DD}(ADC1)$	Disab	0	0	1	Enab	0	Disab	2.11	2.54
$I_{DD}(ADC2)$	Disab	0	0	5.3	Enab	0	Disab	2.16	2.6
$I_{DD}(ADC3)$	Enab	0	0	6	Enab	0	Disab	2.17	2.61

- SMED frequency:
 - 96 MHz and 6 MHz frequencies require the PLL enabled.
 - Current table shows only a subset value of possible SMED frequencies.
- PWM frequency:
 - PWM toggle frequency is considered fixed to 500 kHz, close to the maximum applicative value.
- ADC frequency:
 - 6 MHz frequency requires the PLL enabled.
 - Current table shows only a subset value of possible ADC frequencies.
- Number of active PWMs.
- PWM pins are loaded with a CL (load capacitance) of 50 pF.
- If enabled all DACs and comparator units are active.
- ADC configured in circular mode.
- Temperature operating: $T_A = 25\text{ °C}$.
- Data based on characterization results not tested in production.

PWM current consumption overview

The figures that follow provide an outline view of PWM current consumption results. The consumptions are evaluated considering the maximum current at $T_A = 25\text{ °C}$ with different SMED operating frequencies. The charts summarize the measurements carried out from

Table 39 and Table 40 allowing users to derive the PWM current consumption values.

Figure 13. PWM current consumption with $f_{SMED}=PLL$ $f_{PWM}=0.5$ MHz at $V_{DD}/V_{DDA}=3.3V$

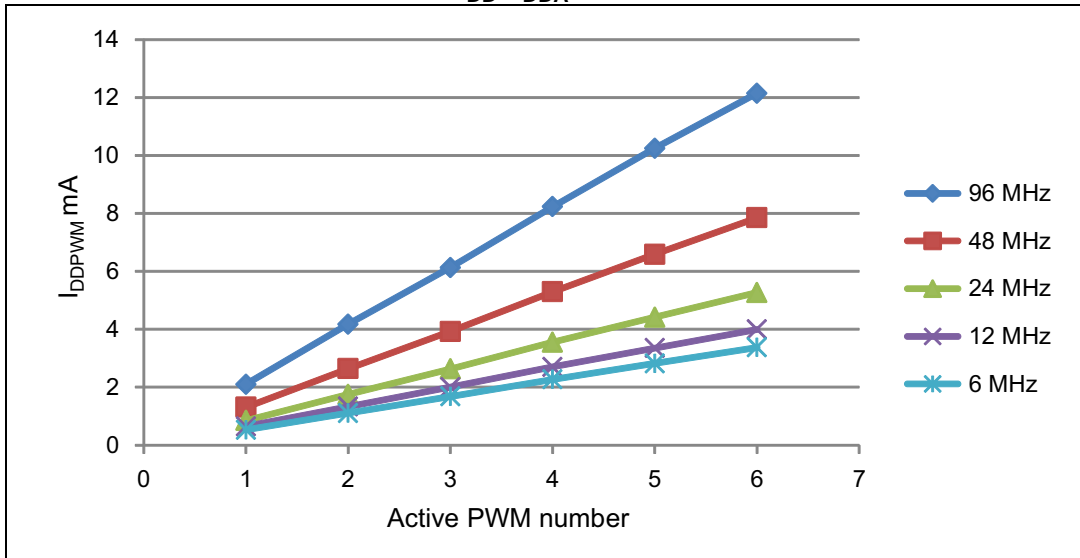


Figure 14. PWM current consumption with $f_{SMED}=PLL$ $f_{PWM}=0.5$ MHz at $V_{DD}/V_{DDA}=5V$

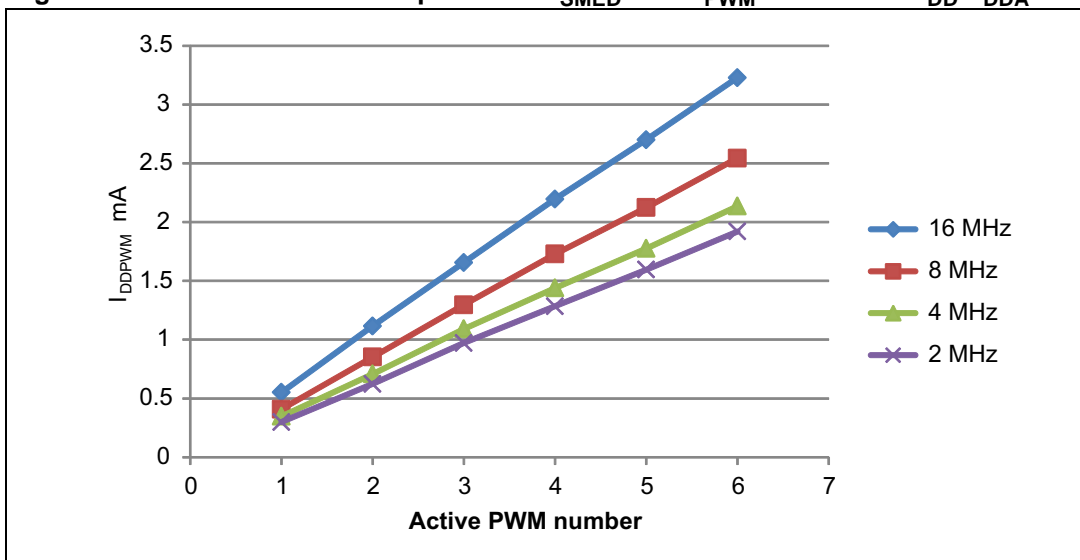


Figure 15. PWM current consumption with $f_{SMED}=HSI$ $f_{PWM}=0.5$ MHz at $V_{DD}/V_{DDA}=3.3V$

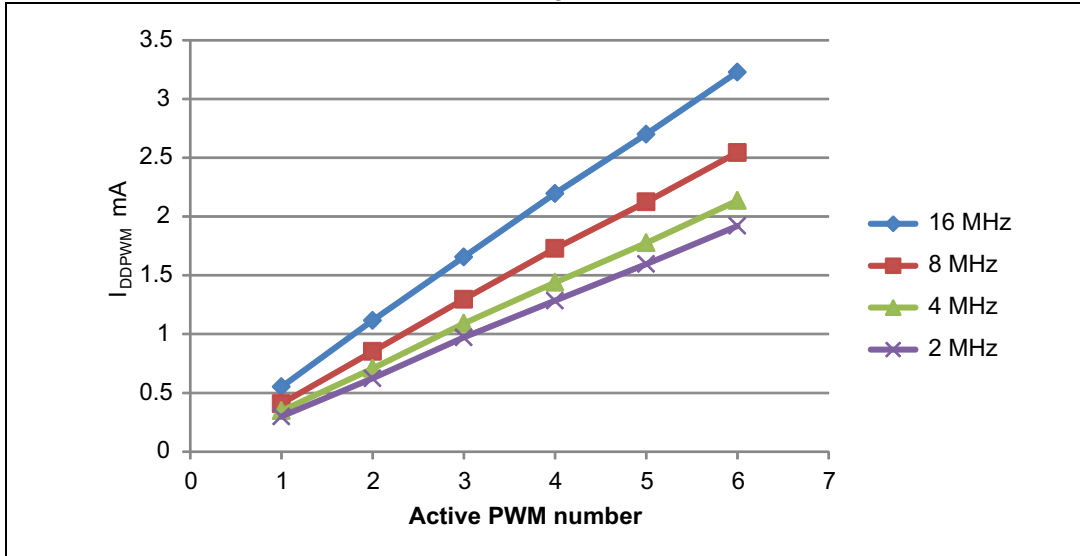
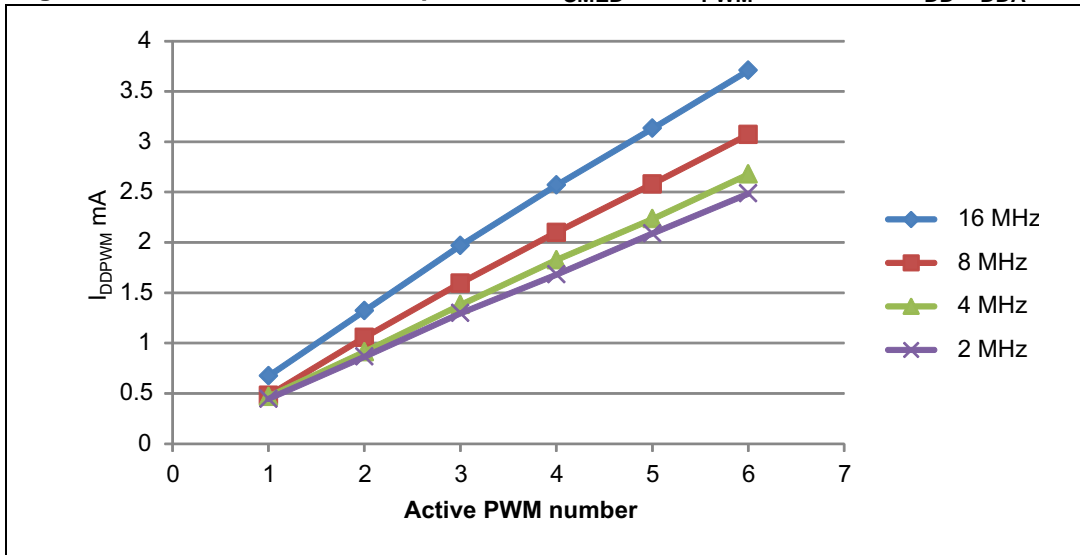


Figure 16. PWM current consumption with $f_{SMED}=HSI$ $f_{PWM}=0.5$ MHz at $V_{DD}/V_{DDA}=5V$



10.3.3 External clock sources and timing characteristics

HSE user external clock

Subject to general operating conditions for V_{DD} and T_A

Table 41. HSE user external clock characteristics

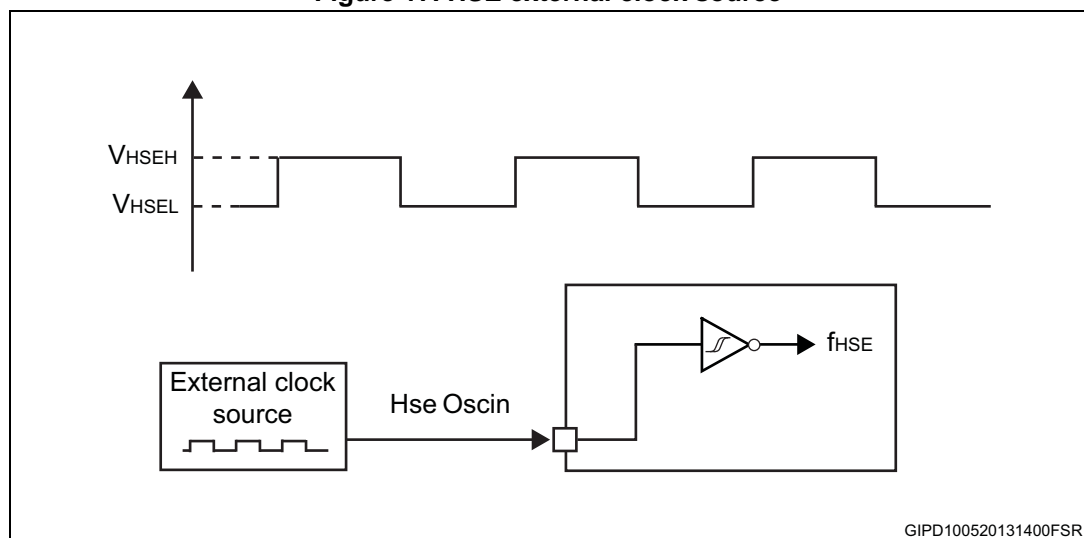
Symbol	Parameter	Conditions	Min.	Max.	Unit
f_{HSE_ext}	User external clock source frequency	$-40\text{ }^{\circ}\text{C} \leq T_A \leq 105\text{ }^{\circ}\text{C}$	0	16 ⁽¹⁾	MHz

Table 41. HSE user external clock characteristics (continued)

Symbol	Parameter	Conditions	Min.	Max.	Unit
$V_{HSEH}^{(2)}$	HSEOSCIN input pin high level voltage		$0.7 \times V_{DD}$	V_{DD}	V
$V_{HSEL}^{(2)}$	HSEOSCIN input pin low level voltage		V_{SS}	$0.3 \times V_{DD}$	
$I_{LEAKHSE}^{(2)}$	HSEOSCIN input pin leakage	$V_{SS} \leq V_{IN} \leq V_{DD}$	-1	+1	μA

1. In case f_{HSE} is configured as direct clock for the SMED logics the maximum frequency can be 24 MHz.
2. Data based on characterization results, not tested in production.

Figure 17. HSE external clock source



HSE crystal/ceramic resonator oscillator

The HSE clock can be supplied with a 1 to 24 MHz crystal/ceramic resonator oscillator. All the information given in this paragraph is based on characterization results with specified typical external components. In the application, the resonator and the load capacitors have to be placed as close as possible to the oscillator pins in order to minimize output distortion and start-up stabilization time. Refer to the crystal resonator manufacturer for more details (frequency, package, accuracy...).

Table 42. HSE crystal/ceramic resonator oscillator

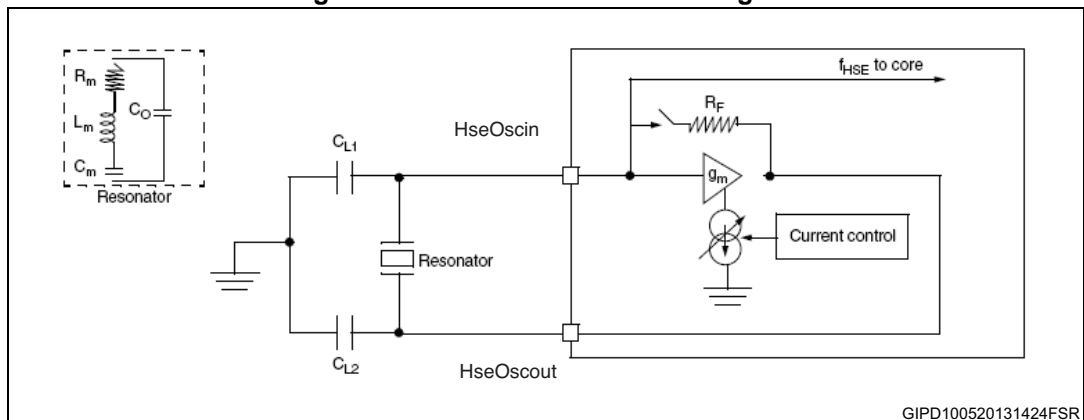
Symbol	Parameter	Conditions	Min.	Typ.	Max.	Unit
f_{HSE}	External high speed oscillator frequency		1		$16^{(1)}$	MHz
R_F	Feedback resistor			220		k Ω
$C_{L1}, C_{L2}^{(2)}$	Recommended load capacitance ⁽³⁾				20	pF
$I_{DD(HSE)}$	HSE oscillator power consumption				6(startup) 2(stabilized)	mA

Table 42. HSE crystal/ceramic resonator oscillator (continued)

Symbol	Parameter	Conditions	Min.	Typ.	Max.	Unit
g_m	Oscillator transconductance		5			mA/V
$t_{SU(HSE)}^{(4)}$	Startup time	V_{DD} is stabilized		2.8		ms

1. In case f_{HSE} is configured as direct clock for the SMED logic the maximum frequency can be 24 MHz
2. The oscillator needs two load capacitors, CL1 and CL2, to act as load for the crystal. The total load capacitance (C_{load}) is $(CL1 * CL2)/(CL1 + CL2)$. If $CL1 = CL2$, $C_{load} = CL1 / 2$. Some oscillators have built-in load capacitors, CL1 and CL2.
3. The oscillator selection can be optimized in terms of supply current using a high quality resonator with small R_m value.
4. $t_{SU(HSE)}$ is the start-up time measured from the moment it is enabled (by software) to a stabilized 16 MHz oscillation is reached. This value is measured for a standard crystal resonator and it can vary significantly with the crystal manufacturer.

Figure 18. HSE oscillator circuit diagram



The crystal characteristics have to be checked with the following formula:

$$g_m \gg g_{mCritic}$$

where $g_{mCritic}$ is calculated with the crystal parameters as follows:

$$g_{mCritic} = (2 \cdot \pi \cdot f_{HSE})^2 \cdot R_m \cdot (2C_O + C)^2$$

and where:

- R_m : motional resistance^(b)
- L_m : motional inductance^(b)
- C_m : motional capacitance^(b)
- C_O : shunt capacitance^(b)
- $CL1 = CL2 = C$: grounded external capacitance

b. Refer to application crystal specification.

10.3.4 Internal clock sources and timing characteristics

HSI RC oscillator

Subject to general operating conditions for V_{DD} and T_A .

Table 43. HSI RC oscillator

Symbol	Parameter	Conditions	Min. ⁽¹⁾	Typ.	Max. ⁽¹⁾	Unit
f_{HSI}	Frequency			16		MHz
ACC_{HSI}	Accuracy of HSI oscillator (factory calibrated) ⁽¹⁾⁽²⁾	$V_{DD} = 3.3V$ $T_A = 25\text{ °C}$	-1%		+1%	%
		$V_{DD} = 3.3V$ $-40\text{ °C} \leq T_A \leq 105\text{ °C}$	-4%		+4%	
		$V_{DD} = 5V$ $-40\text{ °C} \leq T_A \leq 105\text{ °C}$	-4%		+4%	
$t_{SU(HSI)}$	HSI oscillator wakeup time including calibration			1		μs

1. Data based on characterization results, not tested in production.

2. Variation referred to f_{HSI} nominal value.

LSI RC oscillator

Subject to general operating conditions for V_{DD} and T_A .

Table 44. LSI RC oscillator

Symbol	Parameter	Conditions	Min. ⁽¹⁾	Typ.	Max. ⁽¹⁾	Unit
f_{LSI}	Frequency			153.6		kHz
ACC_{LSI}	Accuracy of LSI oscillator	$3.3V \leq V_{DD} \leq 5V$ $-40\text{ °C} \leq T_A \leq 105\text{ °C}$	-10%		10%	%
$t_{SU(LSI)}$	LSI oscillator wakeup time			7		μs

1. Guaranteed by design, not tested in production.

PLL internal source clock

Table 45. PLL internal source clock

Symbol	Parameter	Conditions	Min. ⁽¹⁾	Typ.	Max. ⁽¹⁾	Unit
f_{IN}	Input frequency ⁽²⁾	$3.3V \leq V_{DD} \leq 5V$ $-40\text{ °C} \leq T_A \leq 105\text{ °C}$		16		MHz
f_{OUT}	Output frequency			96		
t_{lock}	PLL lock time					200

1. Data based on characterization results, not tested in production.
2. PLL maximum input frequency 16 MHz.

10.3.5 Memory characteristics

Flash program and memory/data E²PROM memory

General conditions: $T_A = -40\text{ }^{\circ}\text{C}$ to $105\text{ }^{\circ}\text{C}$.

Table 46. Flash program memory/data E²PROM memory

Symbol	Parameter	Conditions	Min. ⁽¹⁾	Typ.	Max.	Unit
t_{PROG}	Standard programming time (including erase) for byte/word/block (1 byte/4 bytes/128 bytes)			6	6.6	ms
	Fast programming time for 1 block (128 bytes)			3	3.3	
	t_{ERASE}	Erase time for 1 block (128 bytes)			3	3.3
N_{WE}	Erase/write cycles ⁽²⁾ (program memory)	$T_A = 25\text{ }^{\circ}\text{C}$	10 K			Cycles
	Erase/write cycles ⁽²⁾ (data memory)	$T_A = 85\text{ }^{\circ}\text{C}$	100 K			
		$T_A = 105\text{ }^{\circ}\text{C}$	35 K			
t_{RET}	Data retention (program memory) after 10 K erase/write cycles at $T_A = 25\text{ }^{\circ}\text{C}$	$T_{\text{RET}} = 85\text{ }^{\circ}\text{C}$	15			Years
	Data retention (program memory) after 10 K erase/write cycles at $T_A = 25\text{ }^{\circ}\text{C}$	$T_{\text{RET}} = 105\text{ }^{\circ}\text{C}$	11			
	Data retention (data memory) after 100 K erase/write cycles at $T_A = 85\text{ }^{\circ}\text{C}$	$T_{\text{RET}} = 85\text{ }^{\circ}\text{C}$	15			
	Data retention (data memory) after 35 K erase/write cycles at $T_A = 105\text{ }^{\circ}\text{C}$	$T_{\text{RET}} = 105\text{ }^{\circ}\text{C}$	6			

1. Data based on characterization results, not tested in production.
2. The physical granularity of the memory is 4 bytes, so cycling is performed on 4 bytes even when a write/erase operation addresses a single byte.

10.3.6 I/O port pin characteristics

Subject to general operating conditions for V_{DD} and T_A unless otherwise specified. Unused input pins should not be left floating.

Table 47. Voltage DC characteristics

Symbol	Description	Min.	Typ.	Max.	Unit
V _{IL}	Input low voltage	-0.3		0.3 * V _{DD}	V
V _{IH}	Input high voltage ⁽¹⁾	0.7 * V _{DD}		V _{DD}	
V _{OL1}	Output low voltage @ 3.3 V ⁽²⁾⁽³⁾			0.4 ⁽¹³⁾	
V _{OL2}	Output low voltage @ 5 V ⁽²⁾⁽³⁾			0.5	
V _{OL3}	Output low voltage high sink @ 3.3 V / 5 V ⁽¹⁾⁽⁴⁾⁽⁵⁾			0.6 ⁽¹³⁾	
V _{OH1}	Output high voltage @ 3.3 V ⁽²⁾⁽³⁾	V _{DD} -0.4 ⁽¹³⁾			
V _{OH2}	Output high voltage @ 5 V ⁽²⁾⁽³⁾	V _{DD} -0.5			
V _{OH3}	Output high voltage high sink @ 3.3 V / 5 V ⁽¹⁾⁽⁴⁾⁽⁵⁾	V _{DD} -0.6 ⁽¹³⁾			
H _{VS}	Hysteresis input voltage ⁽⁶⁾	0.1 * V _{DD}			
R _{PU}	Pull-up resistor	30	45	60	kΩ

1. All signals are not 5 V tolerant (input signals can't be exceeded V_{DDX} (V_{DDX} = V_{DD}, V_{DDA})).
2. Parameter applicable to signals: GPIO0[5:0] (high sink selectable by high speed config.).
3. Parameter applicable to signals: GPIO1[5:0]/PWM[5:0].
4. Parameter applicable to signal: SWIM.
5. Parameter applicable to signal: DIGIN[0]/CCO_clk
6. Applicable to any digital inputs.

Table 48. Current DC characteristics

Symbol	Description	Min.	Typ.	Max.	Unit
I _{OL1}	Standard output low level current @ 3.3 V and V _{OL1} ⁽¹⁾⁽²⁾			1.5	mA
I _{OL2}	Standard output low level current @ 5 V and V _{OL2} ⁽¹⁾⁽²⁾			3	
I _{OLhs1}	High sink output low level current @ 3.3 V and V _{OL3} ⁽¹⁾⁽³⁾⁽⁴⁾			5	
I _{OLhs2}	High sink output low level current @ 5 V and V _{OL3} ⁽¹⁾⁽³⁾⁽⁴⁾			7.75	
I _{OH1}	Standard output high level current @ 3.3 V and V _{OH1} ⁽¹⁾⁽²⁾			1.5	
I _{OH2}	Standard output high level current @ 5 V and V _{OLH2} ⁽¹⁾⁽²⁾			3	
I _{OHhs1}	High sink output high level current @ 3.3 V and V _{OH3} ⁽¹⁾⁽³⁾⁽⁴⁾			5	
I _{OHhs2}	High sink output high level current @ 5 V and V _{OH3} ⁽¹⁾⁽³⁾⁽⁴⁾			7.75	

Table 48. Current DC characteristics

Symbol	Description	Min.	Typ.	Max.	Unit
I_{LKg}	Input leakage current digital - analog $V_{SS} \leq V_{IN} \leq V_{DD}$ (5)			± 1	μA
I_{-Inj}	Injection current (6)(7)			± 4	mA
ΣI_{-Inj}	Total injection current (sum of all I/O and control pins) (6)			± 20	

1. Parameter applicable to signals: GPIO0[5:0] (high sink selectable by high speed config.).
2. Parameter applicable to signals: GPIO1[5:0]/PWM[5:0].
3. Parameter applicable to signal: SWIM.
4. Parameter applicable to signal: DIGIN[0]/CCO_clk
5. Applicable to any digital inputs.
6. Maximum value must never be exceeded.
7. Negative injection current on the ADCIN[7:0] signals have to avoid since impact the ADC conversion accuracy.

Table 49. Operating frequency characteristics

Symbol	Description	Min.	Typ.	Max.	Unit
f_{IL1}	Digital input signal operating frequency (1)(2)(3)			12	MHz
f_{IH1}	Analog input signal operating frequency (4)(5)			24	
f_{IH2}	High speed input signal operating frequency (6)(7)			128	
f_{OL1}	Standard output signal operating frequency with 50 pF max. load (1)			2	
f_{OL2}	High sink output signal operating frequency with 50 pF max. load (1)(2)			10	
f_{OH1}	High speed output signal operating frequency with 50 pF max. load (6)			12	
f_{OH2}	High speed output signal operating frequency with 50 pF max. load (7)			32	

1. Parameter applicable to signals: GPIO0[5:0] (high sink selectable by high speed config.).
2. Parameter applicable to signal: SWIM.
3. Parameter applicable to signals: DIGIN[5:1].
4. Parameter applicable to signals: GPIO0[3:2] when configured as HSE_Oscin/Oscout
5. Parameter applicable to any analog signals: ADCIN[7:0], CPP[3:0] and CPM3.
6. Parameter applicable to signals: GPIO1[5:0]/PWM[5:0].
7. Parameter applicable to signal: DIGIN[0]/CCO_clk.

10.3.7 Typical output curves

The following figures show the typical output level curves measured with output on a single pin.

10.3.8 Reset pin characteristics

Subject to general operating conditions for V_{DD} and T_A unless otherwise specified.

Table 50. NRST pin characteristics

Symbol	Parameter	Conditions	Min. ⁽¹⁾	Typ.	Max. ⁽¹⁾	Unit
$V_{IL(NRST)}$	NRST input low level voltage ⁽¹⁾		-0.3		$0.3 \times V_{DD}$	V
$V_{IH(NRST)}$	NRST input high level voltage ⁽¹⁾		$0.7 \times V_{DD}$		$V_{DD} + 0.3$	
$V_{OL(NRST)}$	NRST output low level voltage ⁽¹⁾	$I_{OL} = 2 \text{ mA}$			0.5	
$R_{PU(NRST)}$	NRST pull-up resistor ⁽²⁾		30	40	60	k Ω
$t_{IFP(NRST)}$	NRST input filtered pulse ⁽³⁾				75	ns
$t_{INFP(NRST)}$	NRST not input filtered pulse ⁽³⁾		500			
$t_{OP(NRST)}$	NRST output filtered pulse ⁽³⁾		15			μs

1. Data based on characterization results, not tested in production.
2. The RPU pull-up equivalent resistor is based on a resistive transistor.
3. Data guaranteed by design, not tested in production.

10.3.9 I²C interface characteristics

Table 51. I²C interface characteristics

Symbol	Parameter	Standard mode		Fast mode ⁽¹⁾		Unit
		Min. ⁽²⁾	Max. ⁽²⁾	Min. ⁽²⁾	Max. ⁽²⁾	
$t_{w(SCLL)}$	SCL clock low time	4.7		1.3		μs
$t_{w(SCLH)}$	SCL clock high time	4.0		0.6		
$t_{su(SDA)}$	SDA setup time	250		100		ns
$t_{h(SDA)}$	SDA data hold time	0 ⁽³⁾		0 ⁽³⁾	900 ⁽³⁾	
$t_r(SDA) \ t_r(SCL)$	SDA and SCL rise time ($V_{DD} = 3.3 \text{ to } 5 \text{ V}$) ⁽⁴⁾		1000		300	
$t_f(SDA) \ t_f(SCL)$	SDA and SCL fall time ($V_{DD} = 3.3 \text{ to } 5 \text{ V}$) ⁽⁴⁾		300		300	
$t_{h(STA)}$	START condition hold time	4.0		0.6		μs
$t_{su(STA)}$	Repeated START condition setup time	4.7		0.6		
$t_{su(STO)}$	STOP condition setup time	4.0		0.6		μs
$t_{w(STO:STA)}$	STOP to START condition time (bus free)	4.7		1.3		μs
C_b	Capacitive load for each bus line ⁽⁵⁾		50		50	pF

1. f_{MASTER} must be at least 8 MHz to achieve maximum fast I²C speed (400 kHz).

2. Data based on standard I²C protocol requirement, not tested in production.
3. The maximum hold time of the start condition has only to be met if the interface does not stretch the low time.
4. I²C multifunction signals require the high sink pad configuration and the interconnection of 1 K Ω pull-up resistances.
5. 50 pF is the maximum load capacitance value to meet the I²C std timing specifications.

10.3.10 10-bit Sar ADC characteristics

Subject to general operating conditions for V_{DDA} , f_{MASTER} , and T_A unless otherwise specified.

Table 52. ADC characteristics

Symbol	Parameter	Conditions	Min.	Typ.	Max.	Unit
N	Resolution			10		bit
R_{ADCIN}	ADC input impedance		1			M Ω
f_{ADC}	ADC Clock frequency		1		6 ⁽¹⁾	MHz
V_{IN1}	Conversion voltage range for gain x1		0		1.25 ⁽²⁾⁽³⁾	
V_{IN2}	Conversion voltage range for gain x4		0		0.3125 ⁽²⁾⁽³⁾	
V_{ref}	ADC main reference voltage ⁽⁴⁾			1.250		V
t_S	Sampling time	$f_{ADC} = 6$ MHz		0.50		μ s
t_{STAB}	Wakeup time from ADC standby			30		
t_{CONV1}	Single conversion time including sampling time	$f_{ADC} = 6$ MHz		2.42		
t_{CONV2}	Continuous conversion time including sampling time	$f_{ADC} = 6$ MHz		3		

1. Frequency generated selecting the PLL source clock.
2. Maximum input analog voltage cannot exceed V_{DDA} .
3. Exceeding the maximum voltage on the ADCIN[7:0] signals for the related conversion scale must be avoided since the ADC conversion accuracy can be impacted.
4. Exceeding the maximum voltage on the ADCIN[7:0] signals for the related conversion scale must be avoided since the ADC conversion accuracy can be impacted.

ADC accuracy characteristics at V_{DD}/V_{DDA} 3.3 V

Table 53. ADC accuracy characteristics at V_{DD}/V_{DDA} 3.3 V

Symbol	Parameter	Conditions ⁽¹⁾	Typ. ⁽²⁾	Min. ⁽³⁾	Max. ⁽³⁾	Unit
$IE_{T }$	Total unadjusted error ⁽⁴⁾⁽⁵⁾⁽⁶⁾	$f_{ADC} = 6$ MHz gain 1	2.8			LSB
$IE_{O }$	Offset error ⁽⁴⁾⁽⁵⁾⁽⁶⁾		0.3			
$IE_{G }$	Gain error ⁽⁴⁾⁽⁵⁾⁽⁶⁾⁽⁷⁾		0.4			
E_{O+G}	Offset + gain error ⁽⁷⁾⁽⁸⁾			-8.5	9.3	
E_{O+G}	Offset + gain error ⁽⁷⁾⁽⁹⁾			-11	11	
E_{O+G}	Offset + gain error ⁽⁷⁾⁽¹⁰⁾			-14.3	11.3	
$IE_{D }$	Differential linearity error ^(2,3,4)				0.5	
$IE_{L }$	Integral linearity error ⁽⁴⁾⁽⁵⁾⁽⁶⁾				1.4	
$IE_{T }$	Total unadjusted error ⁽⁴⁾⁽⁵⁾⁽⁶⁾	$f_{ADC} = 6$ MHz gain 4	2.8			
$IE_{O }$	Offset error ⁽⁴⁾⁽⁵⁾⁽⁶⁾		0.3			
$IE_{G }$	Gain error ⁽⁴⁾⁽⁵⁾⁽⁶⁾⁽⁷⁾		0.4			
E_{O+G}	Offset + gain error ⁽⁷⁾⁽⁸⁾			-12.7	15.5	
E_{O+G}	Offset + gain error ⁽⁵⁾⁽⁹⁾			-16.7	18.8	
E_{O+G}	Offset + gain error ⁽⁷⁾⁽¹⁰⁾			-19.2	18.8	
$IE_{D }$	Differential linearity error ⁽⁴⁾⁽⁵⁾⁽⁶⁾				0.5	
$IE_{L }$	Integral linearity error ⁽⁴⁾⁽⁵⁾⁽⁶⁾				1.4	

1. Measured with $R_{AIN} < 10$ k Ω (R_{AIN} external series resistance interconnected between the AC signal generator and the ADC input pin).
2. Temperature operating: $T_A = 25$ °C.
3. Data based on characterization results, not tested in production.
4. ADC accuracy vs. negative injection current. Injecting negative current on any of the analog input pins should be avoided as this reduces the accuracy of the conversion being performed on another analog input. It is recommended a Schottky diode (pin to ground) to be added to standard analog pins which may potentially inject the negative current. Any positive injection current within the limits specified for $I_{INJ(PIN)}$ and $\Sigma I_{INJ(PIN)}$ in the I/O port pin characteristic section does not affect the ADC accuracy. The ADC accuracy parameters may be also impacted exceeding the ADC maximum input voltage V_{IN1} or V_{IN2} .
5. Results in manufacturing test mode.
6. Data aligned with trimming voltage parameters.
7. Gain error evaluation with two point method.
8. Temperature operating range: 0 °C $\leq T_A \leq 85$ °C.
9. Temperature operating range: -25 °C $\leq T_A \leq 105$ °C.
10. Temperature operating range: -40 °C $\leq T_A \leq 105$ °C.

ADC accuracy characteristics at V_{DD}/V_{DDA} 5 VTable 54. ADC accuracy characteristics at V_{DD}/V_{DDA} 5 V

Symbol	Parameter	Conditions ⁽¹⁾	Typ. ⁽²⁾	Min. ⁽³⁾	Max. ⁽³⁾	Unit
$ E_T $	Total unadjusted error ⁽⁴⁾⁽⁵⁾⁽⁶⁾	$f_{ADC} = 6$ MHz gain 1	TBD			LSB
$ E_O $	Offset error ⁽⁴⁾⁽⁵⁾⁽⁶⁾		0.5			
$ E_G $	Gain error ⁽⁴⁾⁽⁵⁾⁽⁶⁾⁽⁷⁾		0.4			
E_{O+G}	Offset + gain error ⁽⁷⁾⁽⁸⁾			-8.3	8.9	
E_{O+G}	Offset + gain error ⁽⁷⁾⁽⁹⁾			-10.9	10.9	
E_{O+G}	Offset + gain error ⁽⁷⁾⁽¹⁰⁾			-13.8	10.9	
$ E_D $	Differential linearity error ^(2,3,4)		0.8			
$ E_L $	Integral linearity error ⁽⁴⁾⁽⁵⁾⁽⁶⁾		2.0			
$ E_T $	Total unadjusted error ⁽⁴⁾⁽⁵⁾⁽⁶⁾	$f_{ADC} = 6$ MHz gain 4	TBD			
$ E_O $	Offset error ⁽⁴⁾⁽⁵⁾⁽⁶⁾		1.2			
$ E_G $	Gain error ⁽⁴⁾⁽⁵⁾⁽⁶⁾⁽⁷⁾		0.2			
E_{O+G}	Offset + gain error ⁽⁷⁾⁽⁸⁾			-12.2	15.3	
E_{O+G}	Offset + gain error ⁽⁵⁾⁽⁹⁾			-16.4	18.5	
E_{O+G}	Offset + gain error ⁽⁷⁾⁽¹⁰⁾			-18.8	18.5	
$ E_D $	Differential linearity error ⁽⁴⁾⁽⁵⁾⁽⁶⁾		0.8			
$ E_L $	Integral linearity error ⁽⁴⁾⁽⁵⁾⁽⁶⁾		2.0			

1. Measured with $R_{AIN} < 10$ k Ω (R_{AIN} external series resistance interconnected between the AC signal generator and the ADC input pin).
2. Temperature operating: $T_A = 25$ °C.
3. Data based on characterization results, not tested in production.
4. ADC accuracy vs. negative injection current. Injecting negative current on any of the analog input pins should be avoided as this reduces the accuracy of the conversion being performed on another analog input. It is recommended a Schottky diode (pin to ground) to be added to standard analog pins which may potentially inject negative current. Any positive injection current within the limits specified for $I_{INJ(PIN)}$ and $\Sigma_{INJ(PIN)}$ in the I/O port pin characteristic section does not affect the ADC accuracy. The ADC accuracy parameters may be also impacted exceeding the ADC maximum input voltage V_{IN1} or V_{IN2} .
5. Results in manufacturing test mode.
6. Data aligned with trimming voltage parameters.
7. Gain error evaluation with two point method.
8. Temperature operating range: 0 °C $\leq T_A \leq 85$ °C.
9. Temperature operating range: -25 °C $\leq T_A \leq 105$ °C.
10. Temperature operating range: -40 °C $\leq T_A \leq 105$ °C.

10.3.11 Analog comparator characteristics

Table 55. Analog comparator characteristics

Symbol	Parameter	Conditions	Min. ⁽¹⁾	Typ.	Max. ⁽¹⁾	Unit
V _{IN}	Comparator input voltage range	-40 °C ≤ T _A ≤ 105 °C	0		1.23 ⁽²⁾	V
V _{ICPM3}	Comparator 3 external input voltage range		0		1.23 ⁽²⁾⁽³⁾	V
V _{offset}	Comparator offset error				15	mV
t _{COMP}	Comparison delay time				50	ns

1. Data based on characterization results, not tested in production.
2. Maximum analog input voltage cannot exceed V_{DDA}.
3. The comparator 3 can be configured with the external reference voltage signal CPM3.

10.3.12 DAC characteristics

Table 56. DAC characteristics

Symbol	Parameter	Conditions	Min. ⁽¹⁾	Typ.	Max. ⁽¹⁾	Unit
V _{full scale}	DAC full scale	-40 °C ≤ T _A ≤ 105 °C	1.2		1.26	V
V _{offset}	DAC offset				4	mV
V _{dac}	DAC out voltage		V _{offset}		V _{full scale}	mV
LSB				82		mV
INL	Integral non linearity				0.12	LSB

1. Data based on characterization results, not tested in production.

$$n[0,15]:V_{dac}(n) = \frac{(V_{fullscale} - V_{offset})}{15} \times (n) + V_{offset}$$

$$n[1-14]:V_{dac}(n) = \frac{(V_{fullscale} - V_{offset})}{15} \times (n + INL) + V_{offset}$$

where:

- V_{fullscale} = V_{fullscale}(sample, T)
- V_{offset} = V_{offset}(sample, T)
- INL = INL(sample, n)

10.4 EMC characteristics

10.4.1 Electrostatic discharge (ESD)

Electrostatic discharges (3 positive then 3 negative pulses separated by 1 second) are applied to the pins of each sample according to each pin combination. The sample size depends on the number of supply pins in the device (3 parts*(n+1) supply pin).

Table 57. ESD absolute maximum ratings

Symbol	Ratings	Conditions	Maximum value	Unit
$V_{ESD(HBM)}$	Electrostatic discharge voltage (human body model)	$T_A = 25\text{ °C}$, conforming to JEDEC/JESD22-A114E	2000	V
$V_{ESD(CDM)}$	Electrostatic discharge voltage (charge device model)	$T_A = 25\text{ °C}$, conforming to ANSI/ESD STM 5.3.1 ESDA	500	
$V_{ESD(MM)}$	Electrostatic discharge voltage (machine model)	$T_A = 25\text{ °C}$, conforming to JEDEC/JESD-A115-A	200	

10.4.2 Static latch-up

Two complementary static tests are required on 10 parts to assess the latch-up performance.

A supply overvoltage (applied to each power supply pin) and a current injection (applied to each input, output and configurable I/O pin) are performed on each sample. This test conforms to the EIA/JESD 78 IC latch-up standard.

Table 58. Electrical sensitivity

Symbol	Parameter	Conditions	Level
LU	Static latch-up class	$T_A = 105\text{ °C}$	A

11 Thermal characteristics

The STLUX385A functionality cannot be guaranteed when the device is operating under the maximum chip junction temperature (T_{Jmax}).

T_{Jmax} , in degrees Celsius, may be calculated using the following equation:

$$T_{Jmax} = T_{Amax} + (PD_{max} \times \Theta_{JA})$$

Where:

T_{Amax} is the maximum ambient temperature in °C

Θ_{JA} is the package junction-to-ambient thermal resistance in °C/W

P_{Dmax} is the sum of P_{INTmax} and $P_{I/Omax}$ ($P_{Dmax} = P_{INTmax} + P_{I/Omax}$)

P_{INTmax} is the product of I_{DD} and V_{DD} , expressed in watts. This is the maximum chip internal power.

$P_{I/Omax}$ represents the maximum power dissipation on output pins where: $P_{I/Omax} = \Sigma (V_{OL} * I_{OL}) + \Sigma ((V_{DD} - V_{OH}) * I_{OH})$, taking into account the actual V_{OL}/I_{OL} and V_{OH}/I_{OH} of the I/Os at low and high level.

Table 59. Package thermal characteristics

Symbol	Parameter	Value	Unit
Θ_{JA}	Thermal resistance junction-to-ambient ⁽¹⁾	80	°C/W

1. Thermal resistance are based on JEDEC JESD51-2 with 4-layer PCB in a natural convection environment.

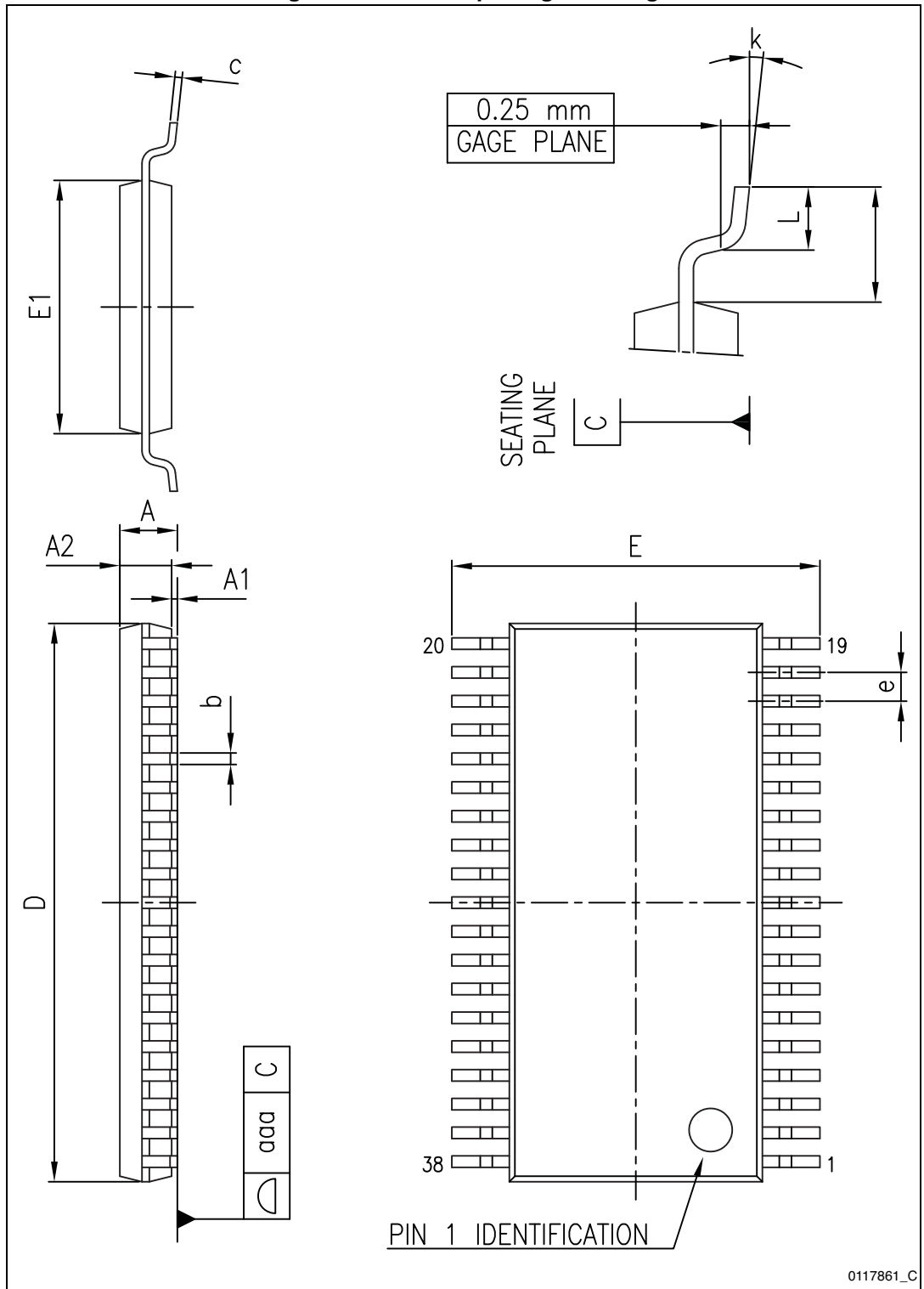
12 Package mechanical data

In order to meet environmental requirements, ST offers these devices in different grades of ECOPACK[®] packages, depending on their level of environmental compliance. ECOPACK[®] specifications, grade definitions and product status are available at: www.st.com. ECOPACK[®] is an ST trademark.

Table 60. TSSOP38 mechanical data

Dim.	mm		
	Min.	Typ.	Max.
A			1.20
A1	0.05		0.15
A2	0.80	1.00	1.05
b	0.17		0.27
c	0.09		0.20
D	9.60	9.70	9.80
E	6.20	6.40	6.60
E1	4.30	4.40	4.50
e		0.50	
L	0.45	0.60	0.75
L1		1.00	
k	0		8
aaa			0.10

Figure 19. TSSOP8 package drawing



0117861_C

13 STLUX385A development tools

The development tool for the STLUX385A microcontroller is provided by Raisonance with the C compiler and the integrated development environment (ride7), which provides start-to-finish control of application development including code editing, compilation, optimization and debugging.

The hardware tool includes the RLink in-circuit debugger/programmer (USB/JTAG).

14 Order codes

Table 61. Ordering information

Order code	Package	Packaging
STLUX385A	TSSOP38	Tube
STLUX385ATR		Tape and reel

15 Revision history

Table 62. Document revision history

Date	Revision	Changes
04-Apr-2013	1	Initial release.
06-Jun-2013	2	Document status promoted from preliminary to production data.

Please Read Carefully:

Information in this document is provided solely in connection with ST products. STMicroelectronics NV and its subsidiaries ("ST") reserve the right to make changes, corrections, modifications or improvements, to this document, and the products and services described herein at any time, without notice.

All ST products are sold pursuant to ST's terms and conditions of sale.

Purchasers are solely responsible for the choice, selection and use of the ST products and services described herein, and ST assumes no liability whatsoever relating to the choice, selection or use of the ST products and services described herein.

No license, express or implied, by estoppel or otherwise, to any intellectual property rights is granted under this document. If any part of this document refers to any third party products or services it shall not be deemed a license grant by ST for the use of such third party products or services, or any intellectual property contained therein or considered as a warranty covering the use in any manner whatsoever of such third party products or services or any intellectual property contained therein.

UNLESS OTHERWISE SET FORTH IN ST'S TERMS AND CONDITIONS OF SALE ST DISCLAIMS ANY EXPRESS OR IMPLIED WARRANTY WITH RESPECT TO THE USE AND/OR SALE OF ST PRODUCTS INCLUDING WITHOUT LIMITATION IMPLIED WARRANTIES OF MERCHANTABILITY, FITNESS FOR A PARTICULAR PURPOSE (AND THEIR EQUIVALENTS UNDER THE LAWS OF ANY JURISDICTION), OR INFRINGEMENT OF ANY PATENT, COPYRIGHT OR OTHER INTELLECTUAL PROPERTY RIGHT.

ST PRODUCTS ARE NOT AUTHORIZED FOR USE IN WEAPONS. NOR ARE ST PRODUCTS DESIGNED OR AUTHORIZED FOR USE IN: (A) SAFETY CRITICAL APPLICATIONS SUCH AS LIFE SUPPORTING, ACTIVE IMPLANTED DEVICES OR SYSTEMS WITH PRODUCT FUNCTIONAL SAFETY REQUIREMENTS; (B) AERONAUTIC APPLICATIONS; (C) AUTOMOTIVE APPLICATIONS OR ENVIRONMENTS, AND/OR (D) AEROSPACE APPLICATIONS OR ENVIRONMENTS. WHERE ST PRODUCTS ARE NOT DESIGNED FOR SUCH USE, THE PURCHASER SHALL USE PRODUCTS AT PURCHASER'S SOLE RISK, EVEN IF ST HAS BEEN INFORMED IN WRITING OF SUCH USAGE, UNLESS A PRODUCT IS EXPRESSLY DESIGNATED BY ST AS BEING INTENDED FOR "AUTOMOTIVE, AUTOMOTIVE SAFETY OR MEDICAL" INDUSTRY DOMAINS ACCORDING TO ST PRODUCT DESIGN SPECIFICATIONS. PRODUCTS FORMALLY ESCC, QML OR JAN QUALIFIED ARE DEEMED SUITABLE FOR USE IN AEROSPACE BY THE CORRESPONDING GOVERNMENTAL AGENCY.

Resale of ST products with provisions different from the statements and/or technical features set forth in this document shall immediately void any warranty granted by ST for the ST product or service described herein and shall not create or extend in any manner whatsoever, any liability of ST.

ST and the ST logo are trademarks or registered trademarks of ST in various countries.

Information in this document supersedes and replaces all information previously supplied.

The ST logo is a registered trademark of STMicroelectronics. All other names are the property of their respective owners.

© 2013 STMicroelectronics - All rights reserved

STMicroelectronics group of companies

Australia - Belgium - Brazil - Canada - China - Czech Republic - Finland - France - Germany - Hong Kong - India - Israel - Italy - Japan - Malaysia - Malta - Morocco - Philippines - Singapore - Spain - Sweden - Switzerland - United Kingdom - United States of America

www.st.com

Mouser Electronics

Authorized Distributor

Click to View Pricing, Inventory, Delivery & Lifecycle Information:

[STMicroelectronics:](#)

[STLUX385A](#)