

## Common Mode Inductors, Noise Suppression

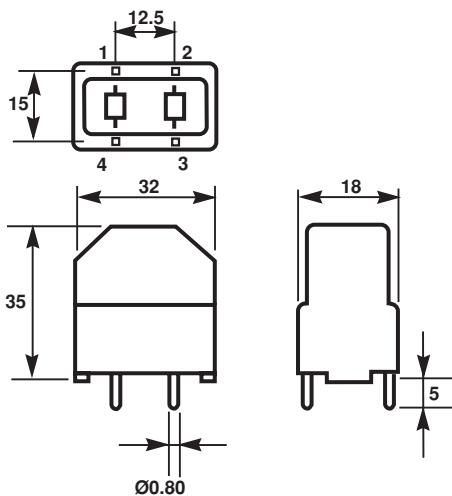


### FEATURES

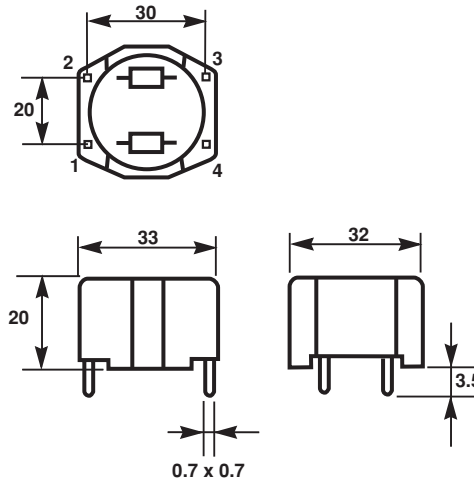
- Conform to VDE 565-2
- Copper winding on ferrite toroid in epoxy case
- Phase opposition winding is an excellent filter for asymmetrical (common mode) noise.
- Efficiency can be increased with Y-capacitors and X-capacitors to make an EMC filter.
- Vertical mounting, style V or horizontal mounting style H
- Main use is switching power supplies

### DIMENSIONS in millimeters

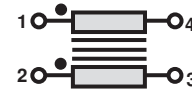
SC06 V



SC06 H



### ELECTRICAL DIAGRAM



### MECHANICAL SPECIFICATIONS

Toroid ferrite  
Case plastic

### ENVIRONMENTAL SPECIFICATIONS

Operating Temperature Range -40°C + 125°C

### PACKAGING

50 pieces in waffle pack.

### MARKING

Print marked: manufacturer, series, model, inductance value, nominal current by winding, nominal operating voltage, diagram windings

### ELECTRICAL SPECIFICATIONS

Nominal Operating Voltage 250VRMS  
Limiting Voltage 1500VRMS 50Hz

NOMINAL CURRENT A	BY WINDING	
	INDUCTANCE mH	DCR MAX. mΩ
0.7	47	1050
1	33	600
1.4	18	350
1.8	10	150
2.2	6.8	100
3	4.7	85
4	3.3	70
5	1	55
6	0.47	40

Other values on request.

### ORDERING INFORMATION

SC	06	V	10mH
SERIES	MODEL	VERSION V: vertical H: horizontal	INDUCTANCE VALUE