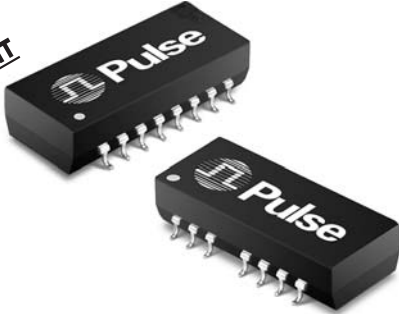






10/100BASE-TX SINGLE PORT TRANSFORMER MODULES



With Various Transmit Turns Ratios



-  RoHS-5 peak reflow temperature rating 235°C
-  RoHS-6 peak reflow temperature rating 245°C
-  Meets IEEE 802.3 specification
-  Designed for use with transceivers for AMD & Micrel

Electrical Specifications @ 25°C — Operating Temperature 0°C to 70°C

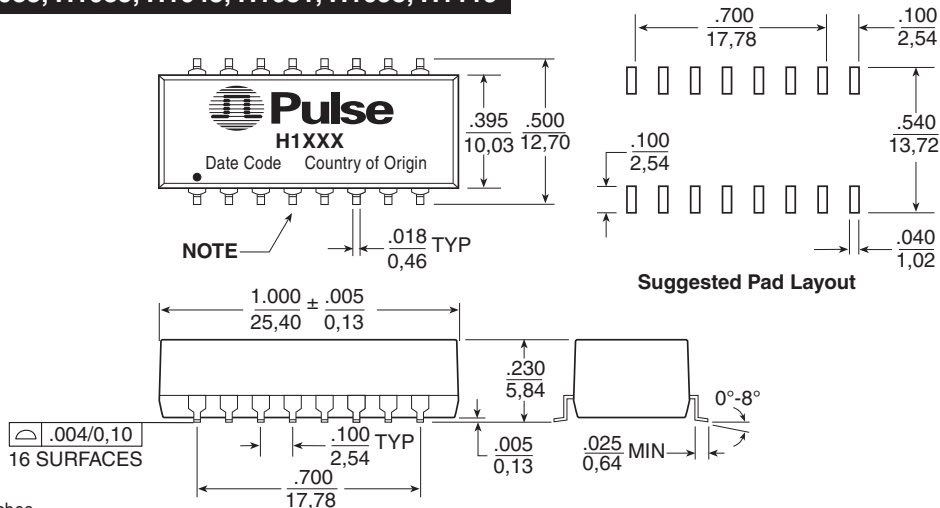
| RoHS-5 ³ Compliant Part Number | RoHS-6 ⁴ Compliant Part Number | Turns Ratio (±5%) | | Insertion Loss (db MAX) 100 KHz-100 MHz | Return Loss (db MIN) | | | Crosstalk (dB MIN) | | | Hipot (Vrms MIN) |
|--|--|----------------------|-----|---|-------------------------|--------|--------|-----------------------|--------|---------|---------------------|
| | | TX | RX | | 30 MHz | 60 MHz | 80 MHz | 30 MHz | 60 MHz | 100 MHz | |
| H1013 | — | 1:√2 | 1:1 | -1.0 | -16 | -12 | -10 | -45 | -38 | -34 | 1500 |
| H1015 | H1015NL ^{2c} | 1:√2 | 1:1 | -1.0 | -16 | -12 | -10 | -45 | -38 | -34 | 1500 |
| H1033 | H1033 ^{2d} | 1:√2 | 1:1 | -1.0 | -16 | -12 | -10 | -45 | -38 | -34 | 1500 |
| H1035 | — | 1:√2 | 1:1 | -1.0 | -16 | -12 | -10 | -45 | -38 | -34 | 1500 |
| H1043 | H1043 ^{2c} | 1:√2 | 1:1 | -1.0 | -16 | -12 | -10 | -45 | -38 | -34 | 1500 |
| H1081 | H1081NL ^{2d} | 1:√2 | 1:1 | -2.0 | -18 | -12 | -11 | -45 | -38 | -34 | 1500 |
| H1093 | H1093 ^{2c} | 1:√2 | 1:1 | -1.0 | -16 | -12 | -10 | -45 | -38 | -34 | 1500 |
| H1119 | H1119 ^{2c} | 1:√2 | 1:1 | -2.0 | -16 | -11 | -10 | -45 | -38 | -34 | 1500 |

- For Tape & Reel packaging, add suffix "T" to the end of the part number when ordering e.g. H1081T.
- MSL= Moisture Sensitivity Level a=1 b=2 c=3 d=4 e=5.
- RoHS-5: Product does not contain 5 out of the 6 banned substances specified in the RoHS directive (product contains lead in applications considered solder).
- RoHS-6: Product does not contain 5 out of the 6 banned substances specified in the RoHS directive. Some internal connections may contain lead in high-temperature solder (solder alloys containing more than 85% lead).

NOTE: The H1093 has been optimized for use with the Kendin KS8761 (now Micrel).

Mechanical

H1013, H1015, H1033, H1035, H1043, H1081, H1093, H1119



Dimensions: Inches
mm

Unless otherwise specified, all tolerances are ± .010
0,25

NOTE: Pin 4 is omitted on the H1015.

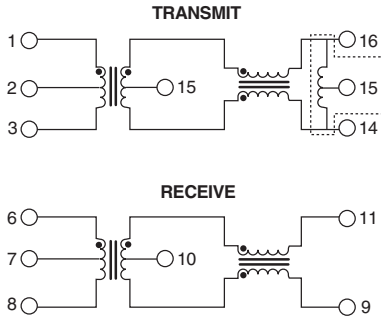
10/100BASE-TX SINGLE PORT TRANSFORMER MODULES

With Various Transmit Turns Ratios



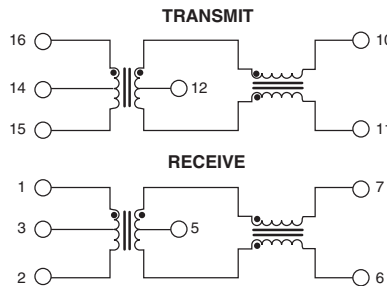
Schematics

H1013, H1033, H1043, H1093

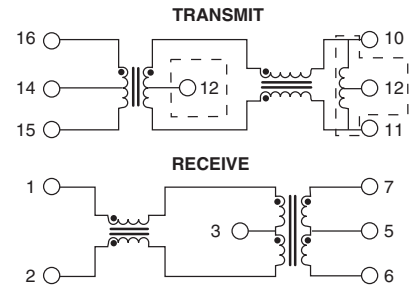


NOTE: H1047 has an autotransformer on

H1015

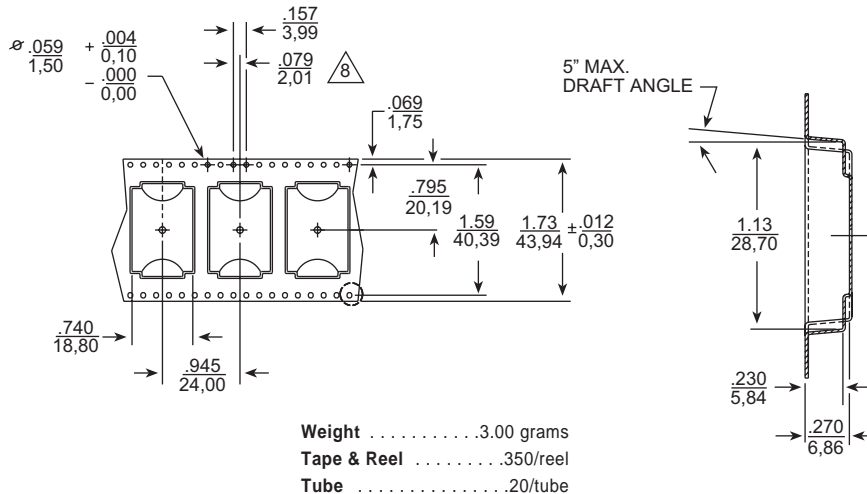


H1035, H1081, H1119



NOTE: The H1081 incorporates an autotransformer, so there is no connection to the TX transformer center tap.

Tape and Reel Specifications



NOTE: Modules are packaged in tubes, unless Tape & Reel is specified. Add the suffix "T" such as H1013T for Tape & Reel orders.

For More Information:

Pulse Worldwide Headquarters

12220 World Trade Dr.
San Diego, CA 92128
U.S.A.
www.pulseeng.com
TEL: 858 674 8100
FAX: 858 674 8262

Pulse European Headquarters

Einsteinstrasse 1
71083 Herrenberg
Germany
TEL: 49 7032 7806 0
FAX: 49 7032 7806 12

Pulse China Headquarters

No. 1
Industrial District
Changan, Dongguan
China
TEL: 86 769 85538070
FAX: 86 769 85538870

Pulse North China

Room 1503
XinYin Building
No. 888 YiShan Rd.
Shanghai 200233
China
TEL: 86 21 54643211/2
FAX: 86 21 54643210

Pulse South Asia

150 Kampong Ampat
#07-01/02
KA Centre
Singapore 368324
TEL: 65 6287 8998
FAX: 65 6280 0080

Pulse North Asia

No. 26
Kao Ching Rd.
Yang Mei Chen
Taoyuan Hsien
Taiwan, R. O. C.
TEL: 886 3 4641811
FAX: 886 3 4641911

Performance warranty of products offered on this data sheet is limited to the parameters specified. Data is subject to change without notice. Other brand and product names mentioned herein may be trademarks or registered trademarks of their respective owners.

© Copyright, 2006. Pulse Engineering, Inc. All rights reserved.

www.pulseeng.com