

AU OPTRONICS CORPORATION

Product Specification

12.1" WXGA Color TFT-LCD Module

Model Name: B121EW03 V0

Approved by	Prepared by

NBBU Marketing Division / AU Optronics corporation

Customer	Checked & Approved by

Product Specification

12.1" WXGA Color TFT-LCD Module
Model Name: B121EW03
V.0

() Preliminary Specifications
(V) Final Specifications

Note: This Specification is subject to change without notice.

Contents

1. Handling Precautions	5
2. General Description	6
2.1 Display Characteristics	6
2.2 Optical Characteristics	7
3. Functional Block Diagram	12
4. Absolute Maximum Ratings.....	13
4.1 Absolute Ratings of TFT LCD Module.....	13
4.2 Absolute Ratings of Backlight Unit.....	13
4.3 Absolute Ratings of Environment	13
5. Electrical characteristics	14
5.1 TFT LCD Module.....	14
5.2 Backlight Unit	16
6. Signal Characteristic	18
6.1 Pixel Format Image	18
6.2 The input data format	19
6.3 Signal Description	20
6.4 Interface Timing	22
7. Connector & Pin Assignment.....	25
7.1 TFT LCD Module.....	25
(B) Signal Pin	25
7.2 Backlight Unit	26
7.3 Signal for Lamp connector	26
8. Vibration and Shock Test	27
8.1 Vibration Test	27
8.2 Shock Test Spec:.....	27
9. Reliability.....	28
10. Mechanical Characteristics.....	29
10.1 LCM Outline Dimension.....	29
10.2 Screw Hole Depth and Center Position.....	31
11. Shipping and Package	32
11.1 Shipping Label Format	32
11.2. Carton package	33
11.3 Shipping package of palletizing sequence.....	33
12. Appendix: EDID description	34

Record of Revision

Version and Date	Page	Old description	New Description	Remark
0.1 2005/11/10	All	First Edition for Customer		
0.2 2005/12/06	33		Update 12. Appendix: EDID description	
0.3 2005/12/15	6	Anti-Glare, Harness 2H, Haze 25%, Reflectance 4.3%	Anti-Glare, Harness 3H, Haze 25%	
0.3 2005/12/15	14		Max VDD Power : 1.6 W	
0.4 2006/4/07	6	180 typ. (5 points average) 160 min. (5 points average)	200 typ. (5 points average) 170 min. (5 points average)	
0.4 2006/4/07	6	Contrast Ratio 400 typ	500 typ.	
0.4 2006/4/07	7	White Luminance CCFL 6.0mA (5 points average) 180 typ. / 160 min.	White Luminance CCFL 6.0mA (5 points average) 200 typ. / 170 min.	
0.4 2006/4/07	7	Viewing angle Vertical C=10 (Upper) 10 (Lower) 30	Viewing angle Vertical C=10 (Upper) 20 (Lower) 40	
0.4 2006/4/07	7		Update Color / Chromaticity Coordinates (CIE 1931)	
0.4 2006/4/07	7	CR: Contrast Ratio typ 400	CR: Contrast Ratio typ 500	
0.4 2006/4/07	22	6.4.1 Clock frequency: 68.9 (typ)	6.4.1 Clock frequency: 68 (typ)	
0.4 2006/4/07	31	11.1 Shipping Label Format (Rev.X20)	11.1 Shipping Label Format (Rev.A00)	
0.4 2006/4/07	33		Update 12. Appendix: EDID description	
0.5 2007/2/01	32	Note : Limit of box palletizing = Max 3 layers (ship and stock conditions)	Delete	

1. Handling Precautions

- 1) Since front polarizer is easily damaged, pay attention not to scratch it.
- 2) Be sure to turn off power supply when inserting or disconnecting from input connector.
- 3) Wipe off water drop immediately. Long contact with water may cause discoloration or spots.
- 4) When the panel surface is soiled, wipe it with absorbent cotton or other soft cloth.
- 5) Since the panel is made of glass, it may break or crack if dropped or bumped on hard surface.
- 6) Since CMOS LSI is used in this module, take care of static electricity and insure human earth when handling.
- 7) Do not open nor modify the Module Assembly.
- 8) Do not press the reflector sheet at the back of the module to any directions.
- 9) In case if a Module has to be put back into the packing container slot after once it was taken out from the container, do not press the center of the CCFL Reflector edge. Instead, press at the far ends of the CFL Reflector edge softly. Otherwise the TFT Module may be damaged.
- 10) At the insertion or removal of the Signal Interface Connector, be sure not to rotate nor tilt the Interface Connector of the TFT Module.
- 11) After installation of the TFT Module into an enclosure (Notebook PC Bezel, for example), do not twist nor bend the TFT Module even momentary. At designing the enclosure, it should be taken into consideration that no bending/twisting forces are applied to the TFT Module from outside. Otherwise the TFT Module may be damaged.
- 12) Cold cathode fluorescent lamp in LCD contains a small amount of mercury. Please follow local ordinances or regulations for disposal.
- 13) Small amount of materials having no flammability grade is used in the LCD module. The LCD module should be supplied by power complied with requirements of Limited Power Source(, IEC60950 or UL1950), or be applied exemption.
- 14) The LCD module is designed so that the CFL in it is supplied by Limited Current Circuit(IEC60950 or UL1950). Do not connect the CFL in Hazardous Voltage Circuit.

2. General Description

B121EW03 V0 is a Color Active Matrix Liquid Crystal Display composed of a TFT LCD panel, a driver circuit, and backlight system. The screen format is intended to support the WXGA (1280(H) x 800(V)) screen and 262k colors (RGB 6-bits data driver). All input signals are LVDS interface compatible. Inverter card of backlight is not included.

B121EW03 V0 is designed for a display unit of notebook style personal computer and industrial machine.

2.1 Display Characteristics

The following items are characteristics summary on the table under 25 condition:

Items	Unit	Specifications
Screen Diagonal	[mm]	307.9 (12.1W")
Active Area	[mm]	261.12(H) X 163.2(V)
Pixels H x V		1280x3(RGB) x 800
Pixel Pitch	[mm]	0.204X0.204
Pixel Arrangement		R.G.B. Vertical Stripe
Display Mode		Normally White
Typical White Luminance (ICFL=6.0mA)	[cd/m ²]	200 typ. (5 points average) 170 min. (5 points average) (Note1)
Luminance Uniformity		1.25 max. (5 points)
Contrast Ratio		500 typ.
Optical Rise Time/Fall Time	[msec]	10/15 typ.
Nominal Input Voltage VDD	[Volt]	+3.3 typ.
Typical Power Consumption	[Watt]	4.5W max.
Weight (without inverter)	[Grams]	250g typ 265g max
Physical Size	[mm]	275.82x 178 x 5.2 max.
Electrical Interface		1 channel LVDS
Surface Treatment		Anti-Glare, Harness 3H, Haze 25%
Support Color		Native 262K colors (RGB 6-bit data driver)

Product Specification

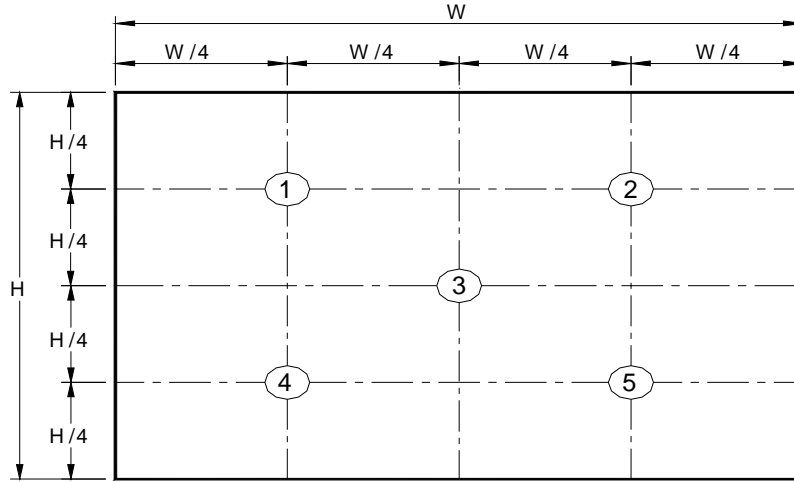
Temperature Range Operating	[°C]	0 to +50
Storage (Non-Operating)	[°C]	-40 to +60
RoHS Compliance		RoHS Compliance

2.2 Optical Characteristics

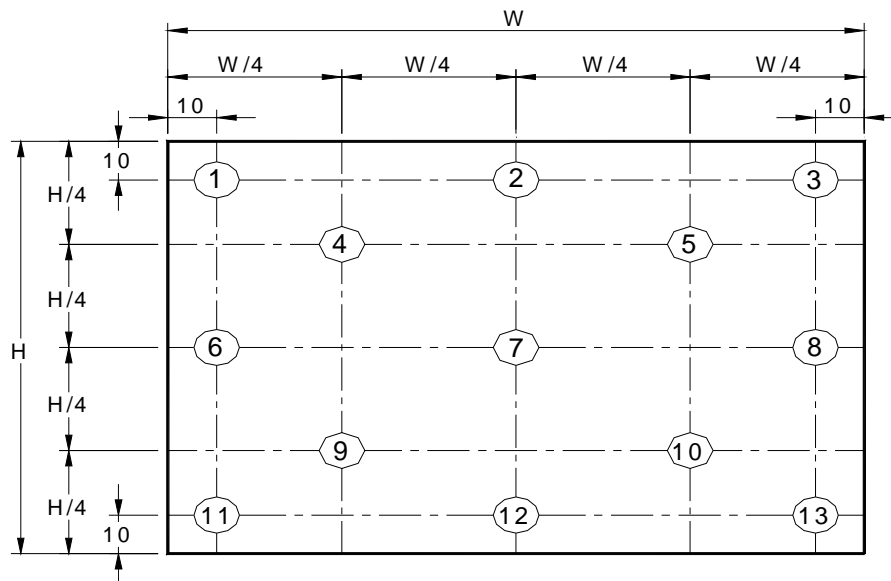
The optical characteristics are measured under stable conditions at 25 (Room Temperature):

Item	Unit	Conditions	Min.	Typ.	Max.	Note
White Luminance CCFL 6.0mA	[cd/m ²]	5 points average	170	200	-	1,2,3
Viewing Angle	[degree]	Horizontal (Right)	-	40	-	2,7
	[degree]	CR = 10 (Left)	-	40	-	
	[degree]	Vertical (Upper)	-	20	-	
	[degree]	CR = 10 (Lower)	-	40	-	
Uniformity		5 Points			1.25	1
Uniformity		13 Points			1.6	
CR: Contrast Ratio			350	500	-	6
Cross talk	%				4	4
Response Time	[msec]	Rising	-	10	15	5
	[msec]	Falling	-	15	20	
	[msec]	Raising + Falling		25	35	
Color / Chromaticity Coordinates (CIE 1931)		Red x	0.560	0.580	0.600	2,7
		Red y	0.320	0.340	0.360	
		Green x	0.290	0.310	0.330	
		Green y	0.530	0.550	0.570	
		Blue x	0.135	0.155	0.175	
		Blue y	0.135	0.155	0.175	
		White x	0.283	0.313	0.343	
		White y	0.309	0.329	0.349	

Note 1: 5 points position (Display area : 261.12mm x 163.2mm)



Note 2: 13 points position



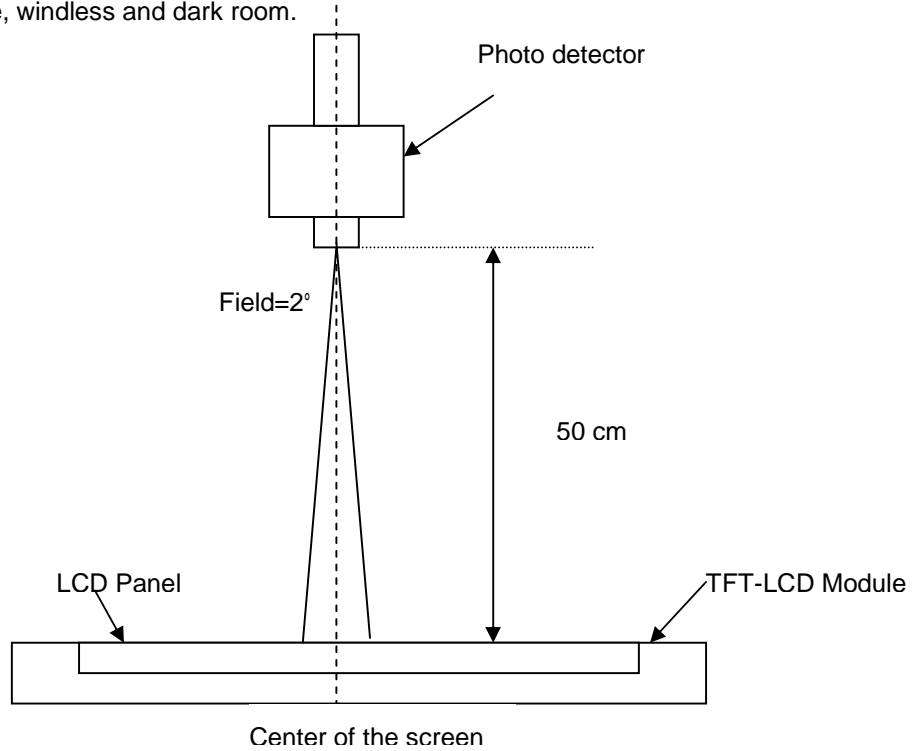
Note 3: The luminance uniformity of 5 and 13 points is defined by dividing the maximum luminance values by the minimum test point luminance

$$w_5 = \frac{\text{Maximum Brightness of five points}}{\text{Minimum Brightness of five points}}$$

$$w_{13} = \frac{\text{Maximum Brightness of thirteen points}}{\text{Minimum Brightness of thirteen points}}$$

Note 4: Measurement method

The LCD module should be stabilized at given temperature for 30 minutes to avoid abrupt temperature change during measuring. In order to stabilize the luminance, the measurement should be executed after lighting Backlight for 30 minutes in a stable, windless and dark room.



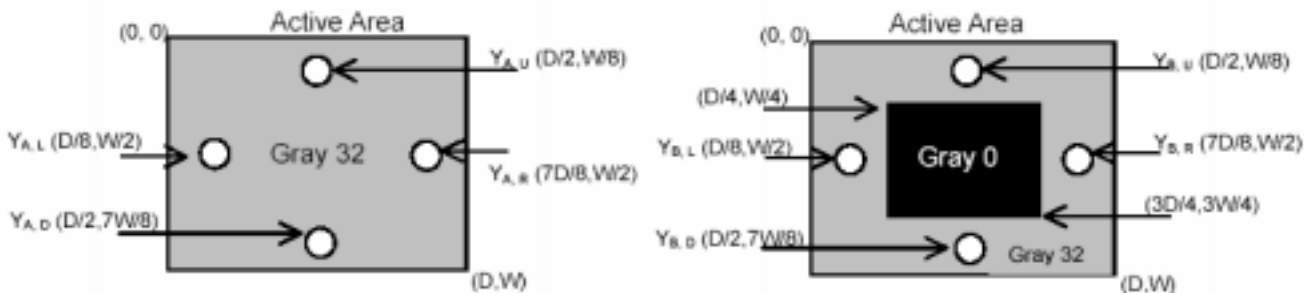
Note 5 : Definition of Cross Talk (CT)

$$CT = |Y_B - Y_A| / Y_A \times 100 (\%)$$

Where

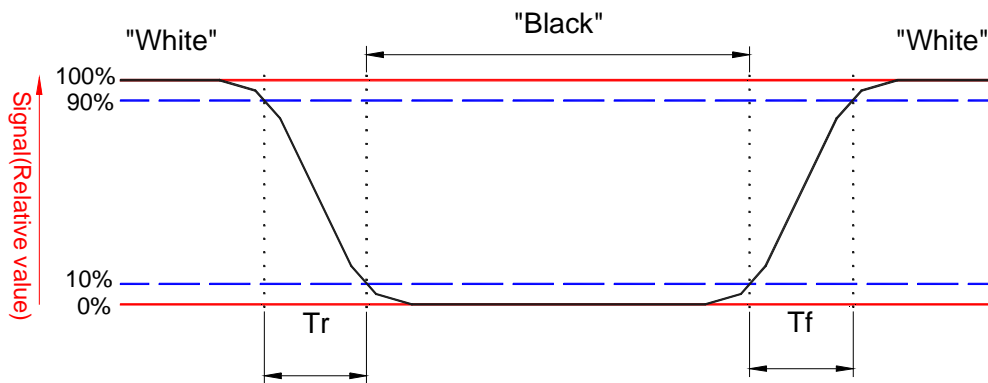
Y_A = Luminance of measured location without gray level 0 pattern (cd/m²)

Y_B = Luminance of measured location with gray level 0 pattern (cd/m²)



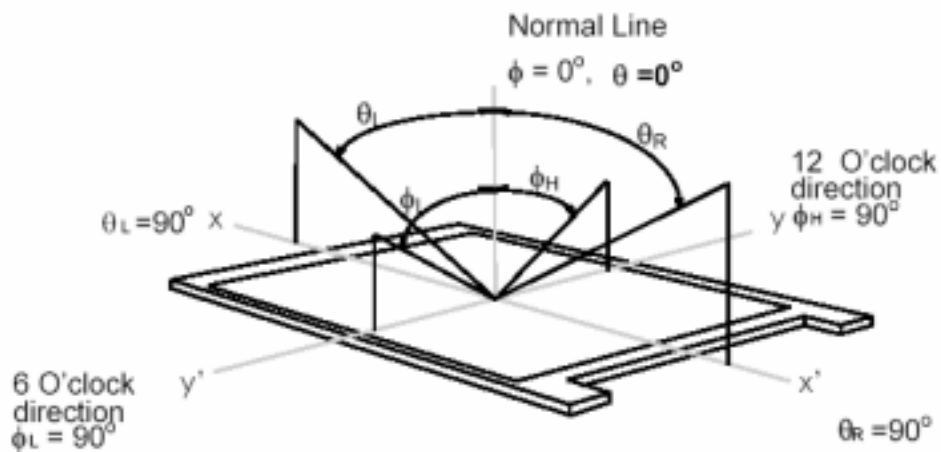
Note 6: Definition of response time:

The output signals of BM-7 or equivalent are measured when the input signals are changed from "Black" to "White" (falling time) and from "White" to "Black" (rising time), respectively. The response time interval between the 10% and 90% of amplitudes. Refer to figure as below.



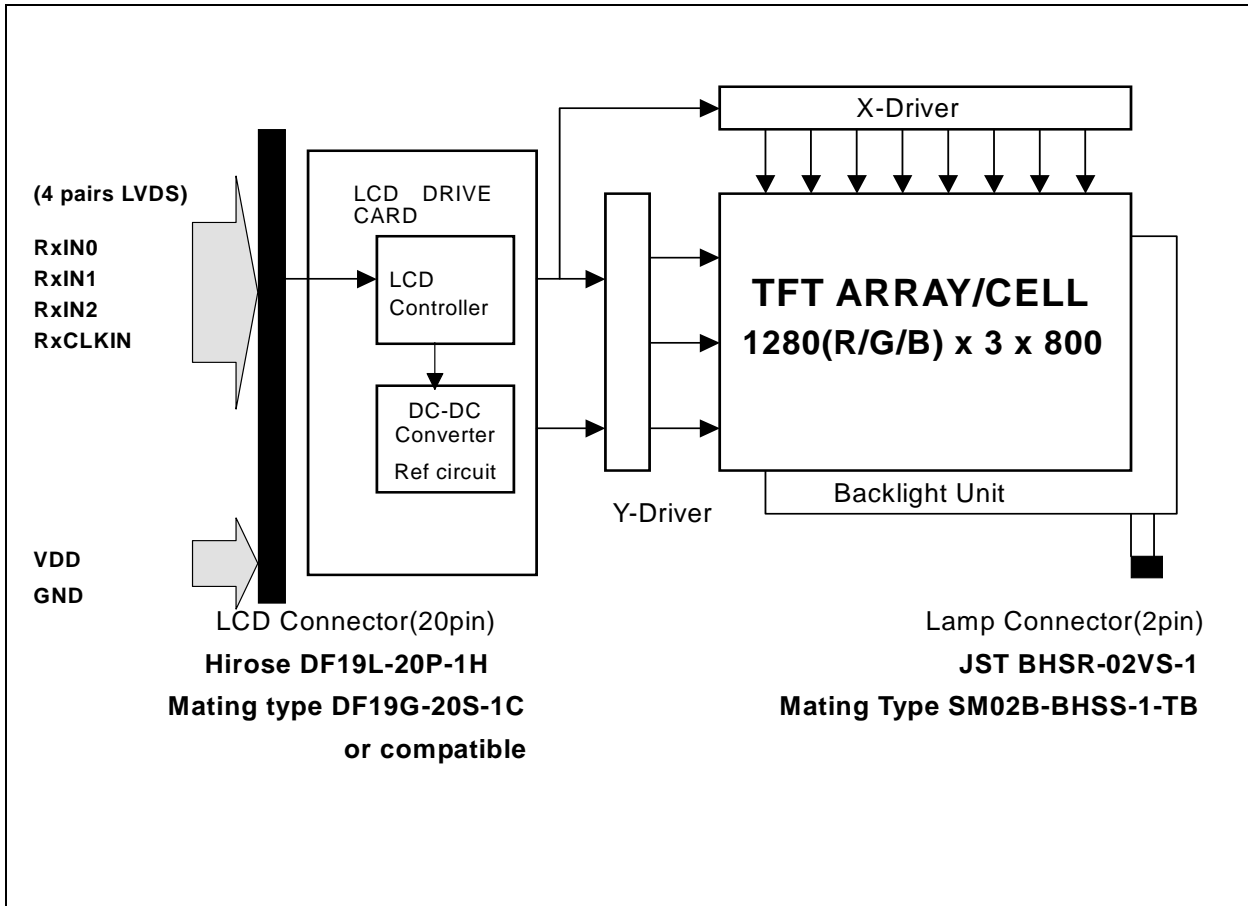
Note 7. Definition of viewing angle

Viewing angle is the measurement of contrast ratio 10, at the screen center, over a 180° horizontal and 180° vertical range (off-normal viewing angles). The 180° viewing angle range is broken down as follows; 90° () horizontal left and right and 90° () vertical, high (up) and low (down). The measurement direction is typically perpendicular to the display surface with the screen rotated about its center to develop the desired measurement viewing angle.



3. Functional Block Diagram

The following diagram shows the functional block of the 12.1 inches wide Color TFT/LCD Module:



4. Absolute Maximum Ratings

Absolute maximum ratings of the module is as following:

4.1 Absolute Ratings of TFT LCD Module

Item	Symbol	Min	Max	Unit	Conditions
Logic/LCD Drive	Vin	-0.3	+4.0	[Volt]	Note 1,2

4.2 Absolute Ratings of Backlight Unit

Item	Symbol	Min	Max	Unit	Conditions
CCFL Current	ICFL	-	7	[mA] rms	Note 1,2

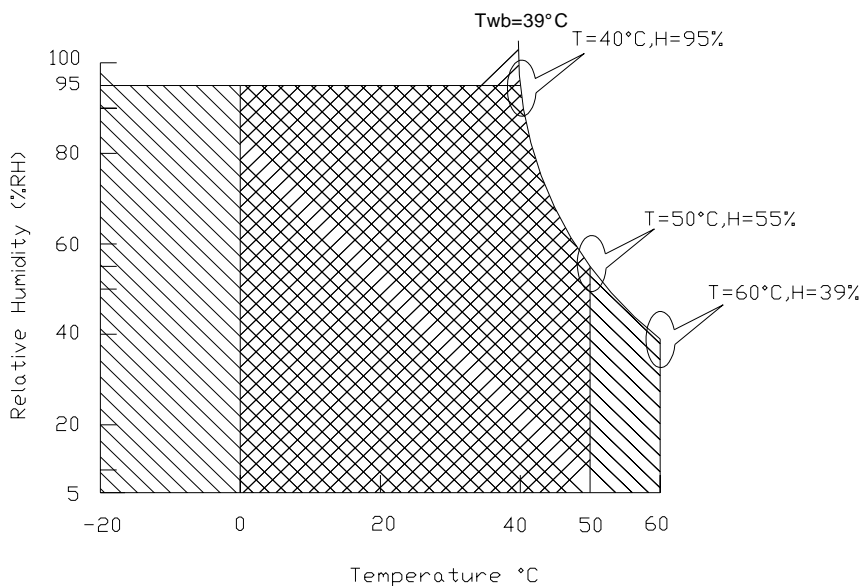
4.3 Absolute Ratings of Environment

Item	Symbol	Min	Max	Unit	Conditions
Operating Temperature	TOP	0	+50	[°C]	Note 3
Operation Humidity	HOP	5	95	[%RH]	Note 3
Storage Temperature	TST	-40	+60	[°C]	Note 3
Storage Humidity	HST	5	95	[%RH]	Note 3

Note 1: With in Ta (25)

Note 2: Permanent damage to the device may occur if exceed maximum values

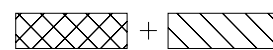
Note 3: For quality performance, please refer to AUO IIS(Incoming Inspection Standard).



Operating Range



Storage Range



5. Electrical characteristics

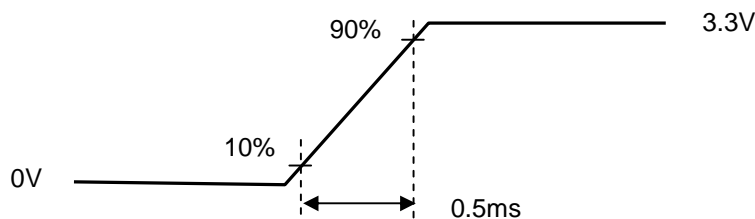
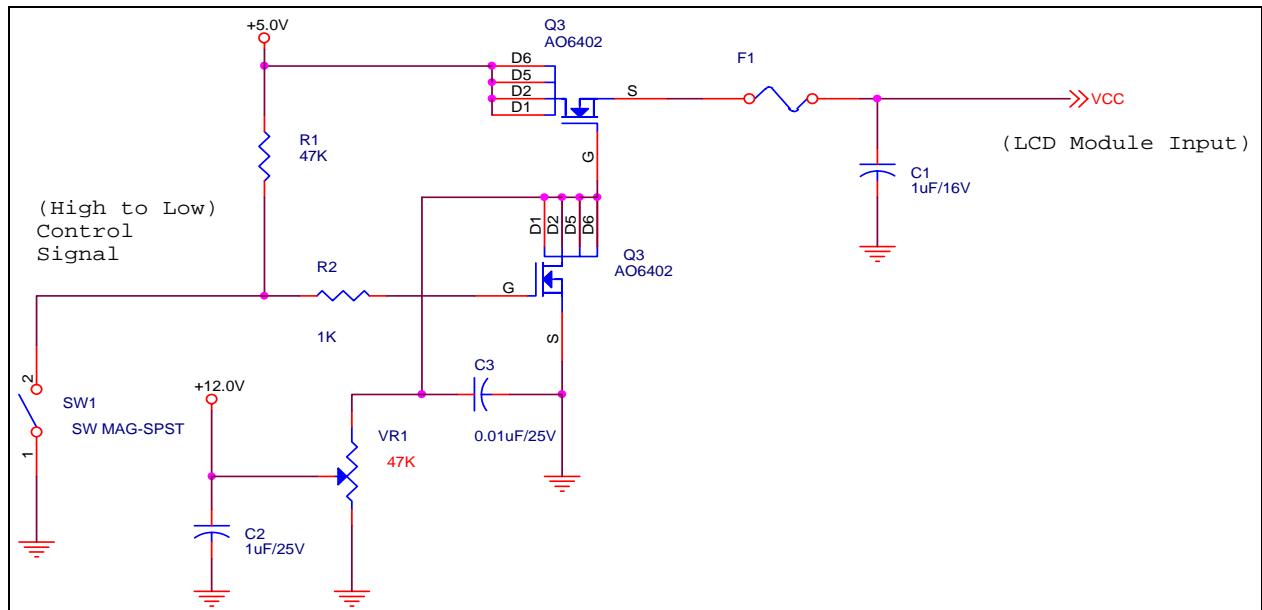
5.1 TFT LCD Module

5.1.1 Power Specification

Input power specifications are as follows;

Symble	Parameter	Min	Typ	Max	Units	Condition
VDD	Logic/LCD Drive Voltage	3.0	3.3	3.6	[Volt]	Load Capacitance 20uF
PDD	VDD Power		1.0	1.6	[Watt]	Max:All Black Pattern
IDD	IDD Current		400	420	mA	Max:All Black Pattern
IRush	Inrush Current			1800	mA	
VDDrp	Allowable Logic/LCD Drive Ripple Voltage			500	[mV] p-p	
VDDns	Allowable Logic/LCD Drive Ripple Noise			100	[mV] p-p	

Note 1 : Measurement conditions:



5.1.2 Signal Electrical Characteristics

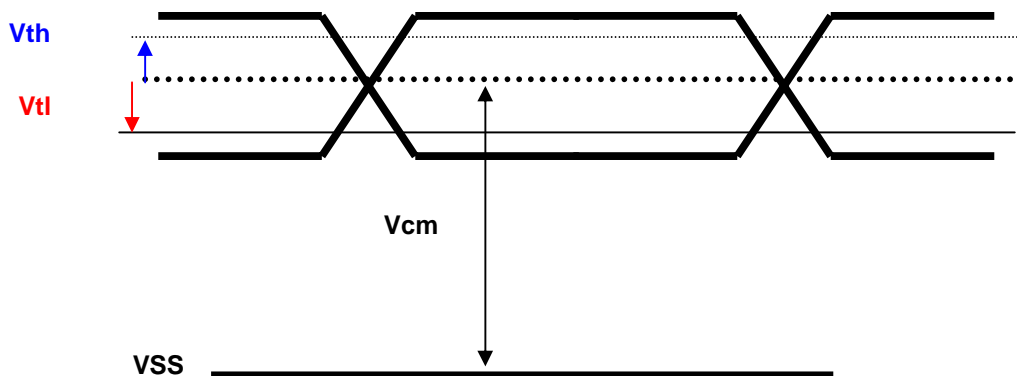
Input signals shall be low or Hi-Z state when VDD is off.

It is recommended to refer the specifications of SN75LVDS86DGG(Texas Instruments) in detail.

Signal electrical characteristics are as follows;

Parameter	Condition	Min	Max	Unit
Vth	Differential Input High Threshold (Vcm=+1.2V)		100	[mV]
Vtl	Differential Input Low Threshold (Vcm=+1.2V)	-100		[mV]

Note: LVDS Signal Waveform



5.2 Backlight Unit

Parameter guideline for CCFL Inverter

Parameter	Min	Typ	Max	Units	Condition
White Luminance 5 points average	160	180	-	[cd/m ²]	(Ta=25)
CCFL current(ICFL)	5.5	6.0	6.5	[mA] rms	(Ta=25) Note 2
CCFL Frequency(FCFL)	50	60	70	[KHz]	(Ta=25) Note 3,4
CCFL Ignition Voltage(Vs)	1400	-	-	[Volt] rms	(Ta= 0) Note 5
CCFL Voltage (Reference) (VCFL)	-	580	-	[Volt] rms	(Ta=25) Note 6
CCFL Power consumption (PCFL)	-	3.5	-	[Watt]	(Ta=25) Note 6

Note 1: Typ are AUO recommended Design Points.

- *1 All of characteristics listed are measured under the condition using the AUO Test inverter.
- *2 In case of using an inverter other than listed, it is recommended to check the inverter carefully. Sometimes, interfering noise stripes appear on the screen, and substandard luminance or flicker at low power may happen.
- *3 In designing an inverter, it is suggested to check safety circuit very carefully. Impedance of CFL, for instance, becomes more than 1 [M ohm] when CFL is damaged.
- *4 Generally, CFL has some amount of delay time after applying kick-off voltage. It is recommended to keep on applying kick-off voltage for 1 [Sec] until discharge.
- *5 CFL discharge frequency must be carefully chosen so as not to produce interfering noise stripes on the screen.
- *6 Reducing CFL current increases CFL discharge voltage and generally increases CFL discharge frequency. So all the parameters of an inverter should be carefully designed so as not to produce too much leakage current from high-voltage output of the inverter.

Note 2: It should be employed the inverter which has "Duty Dimming", if ICFL is less than 4mA.

Note 3: CFL discharge frequency should be carefully determined to avoid interference between inverter and TFT LCD.

Note 4: The frequency range will not affect to lamp life and reliability characteristics.

Note 5: CFL inverter should be able to give out a power that has a generating capacity of over 1,430 voltage. Lamp units need 1,400 voltage minimum for ignition.

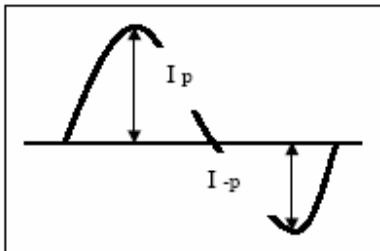
Note 6: Calculator value for reference (ICFL×VCFL=PCFL)

Note 7: Requirements for a system inverter design, which is intended to have a better display performance, a better power efficiency and a more reliable lamp, are following.

It shall help increase the lamp lifetime and reduce leakage current.

- a. The asymmetry rate of the inverter waveform should be less than 10%.
- b. The distortion rate of the waveform should be within $2 \pm 10\%$.

* Inverter output waveform had better be more similar to ideal sine wave.



* Asymmetry rate:

$$\frac{|I_p - I_{-p}|}{I_{rms}} * 100\%$$

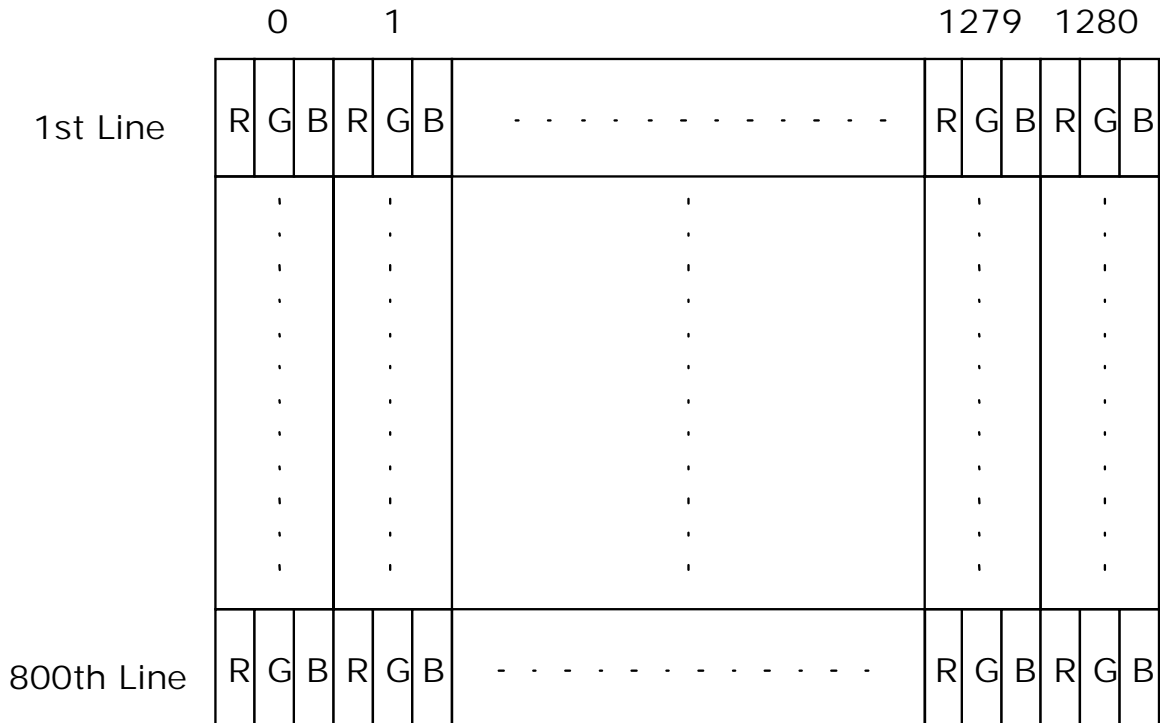
* Distortion rate

$$I_p \text{ (or } I_{-p}) / I_{rms}$$

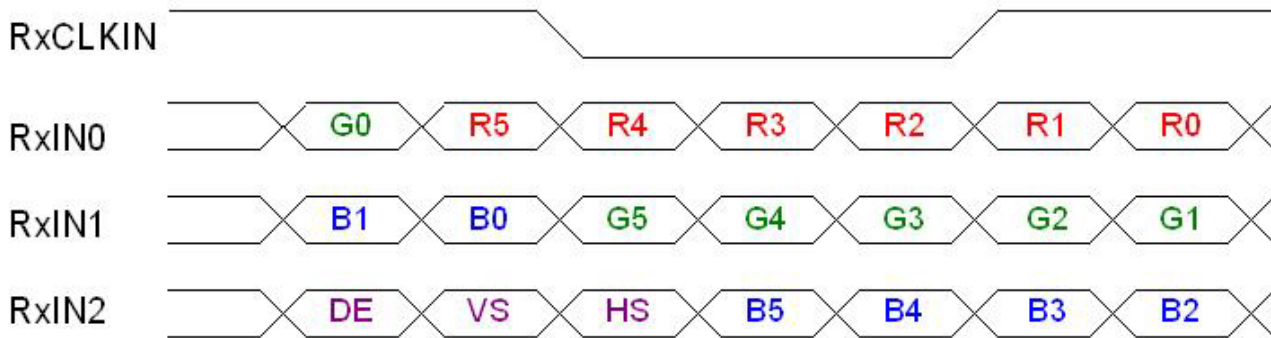
6. Signal Characteristic

6.1 Pixel Format Image

Following figure shows the relationship of the input signals and LCD pixel format.



6.2 The input data format



Signal Name	Description	
RED5 RED4 RED3 RED2 RED1 RED0	Red Data 5 (MSB) Red Data 4 Red Data 3 Red Data 2 Red Data 1 Red Data 0 (LSB)	Red-pixel Data Each red pixel's brightness data consists of these 6 bits pixel data.
	Red-pixel Data	
GREEN 5 GREEN 4 GREEN 3 GREEN 2 GREEN 1 GREEN 0	Green Data 5 (MSB) Green Data 4 Green Data 3 Green Data 2 Green Data 1 Green Data 0 (LSB)	Green-pixel Data Each green pixel's brightness data consists of these 6 bits pixel data.
	Green-pixel Data	
BLUE 5 BLUE 4 BLUE 3 BLUE 2 BLUE 1 BLUE 0	Blue Data 5 (MSB) Blue Data 4 Blue Data 3 Blue Data 2 Blue Data 1 Blue Data 0 (LSB)	Blue-pixel Data Each blue pixel's brightness data consists of these 6 bits pixel data.
	Blue-pixel Data	
DTCLK	Data Clock	The typical frequency is 68.9 MHz. The signal is used to strobe the pixel data and DSPTMG signals. All pixel data shall be valid at the falling edge when the DSPTMG signal is high.
DSPTMG	Display Timing	This signal is strobed at the falling edge of -DTCLK. When the signal is high, the pixel data shall be valid to be displayed.
VSYNC	Vertical Sync	The signal is synchronized to -DTCLK .
HSYNC	Horizontal Sync	The signal is synchronized to -DTCLK .

Note: Output signals from any system shall be low or Hi-Z state when VDD is off.

6.3 Signal Description

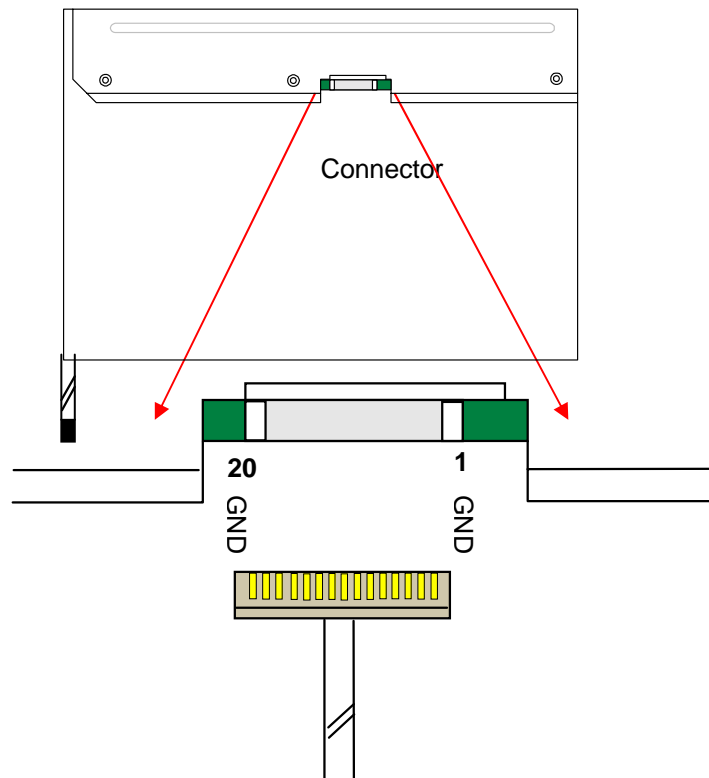
The LVDS receiver equipped in this LCD module is compatible with SN75LVDS86 standard. LVDS is a differential signal technology for LCD interface and high speed data transfer device. Transmitter shall be SN75LVDS84 (negative edge sampling) or compatible.

Signal Name	Description
RxIN0N, RxIN0P	LVDS differential data input (Red0-Red5, Green0)
RxIN1N, RxIN1P	LVDS differential data input (Green1-Green5, Blue0-Blue1)
RxIN2N, RxIN2P	LVDS differential data input (Blue2-Blue5, Hsync, Vsync, DSPTMG)
RxCLKINN, RxCLKIN0P	LVDS differential clock input
VDD	+3.3V Power Supply
GND	Ground

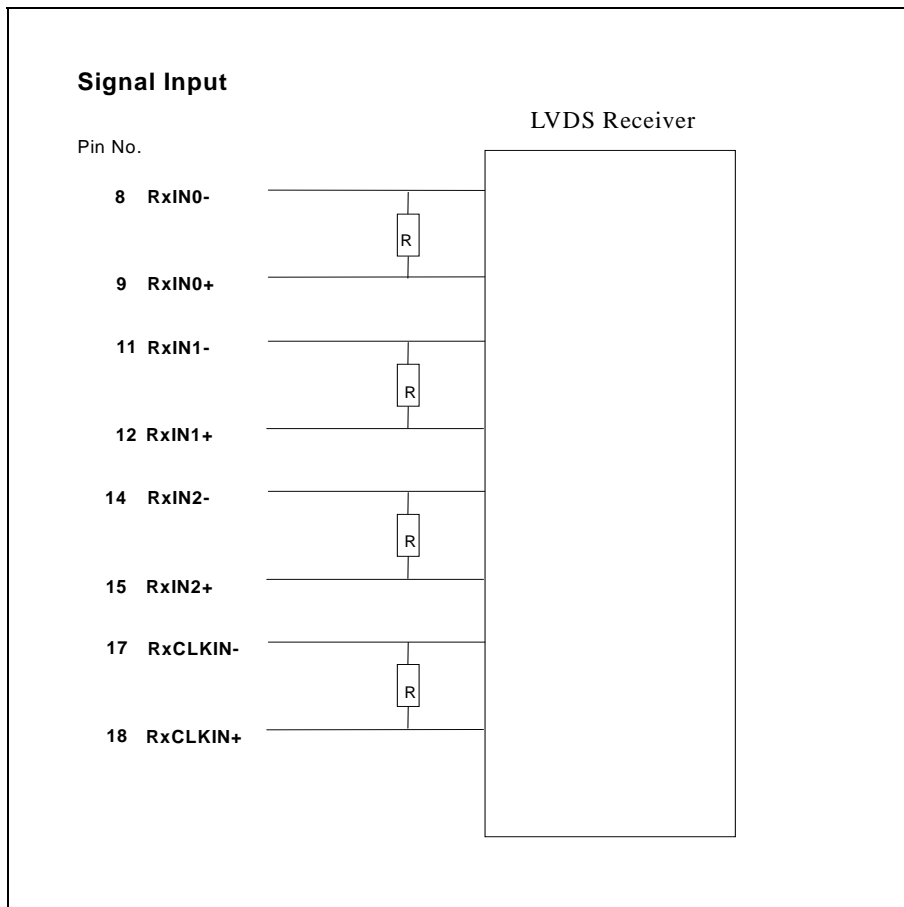
Note1: Start from right side

Note2: Please follow VESA.

Note3: Input signals shall be low or Hi-Z state when VDD is off. Internal circuit of LVDS inputs are as following.



The module uses a 100ohm resistor between positive and negative data lines of each receiver input



6.4 Interface Timing

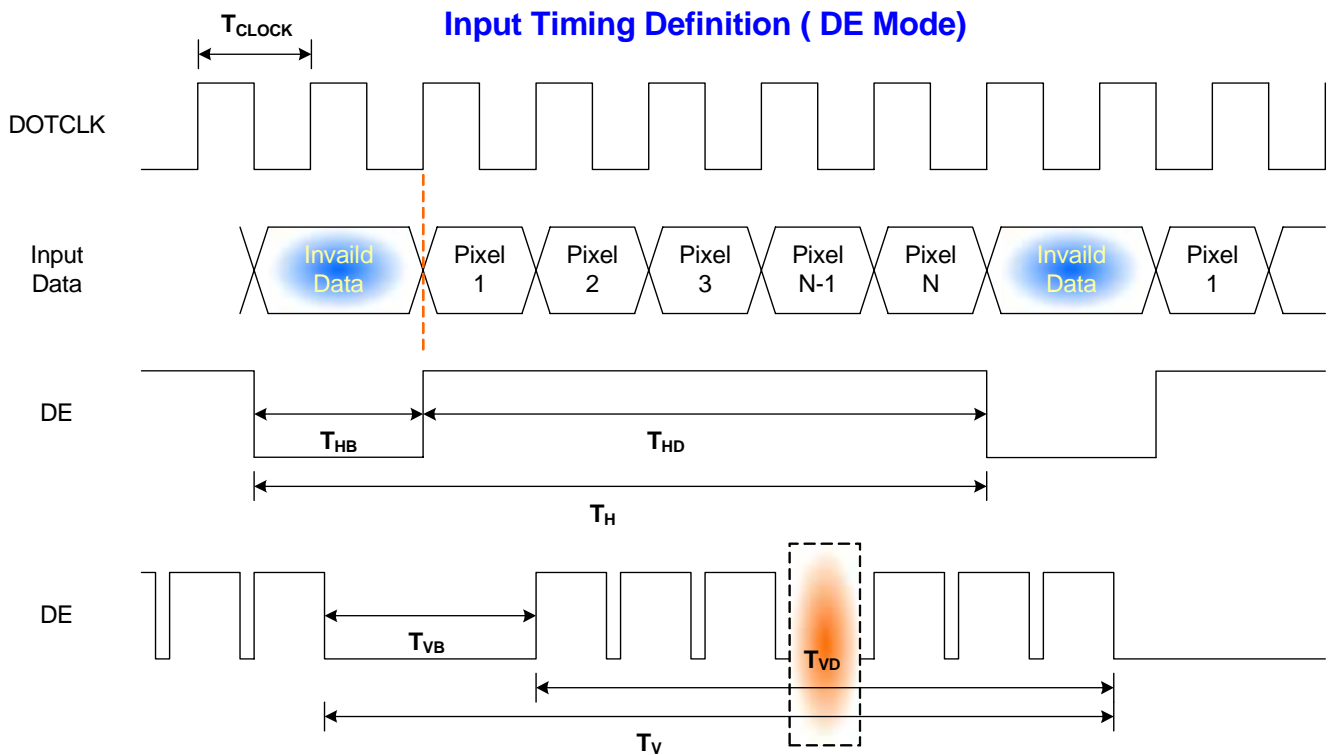
6.4.1 Timing Characteristics

Basically, interface timings should match the 1280x800 /60Hz manufacturing guide line timing.

Parameter	Symbol	Min.	Typ.	Max.	Unit	
Frame Rate	-	50	60	-	Hz	
Clock frequency	$1/T_{\text{Clock}}$	62	68	72	MHz	
Vertical Section	Period	T_V	803	816	832	T_{Line}
	Active	T_{VD}	800	800	800	
	Blanking	T_{VB}	3	16	32	
Horizontal Section	Period	T_H	1302	1408	1700	T_{Clock}
	Active	T_{HD}	-	1280	-	
	Blanking	T_{HB}	22	128	420	
End-frame checking period	tEF	2			T_{Line}	
DE checking period	tDE	6400			T_{Line}	

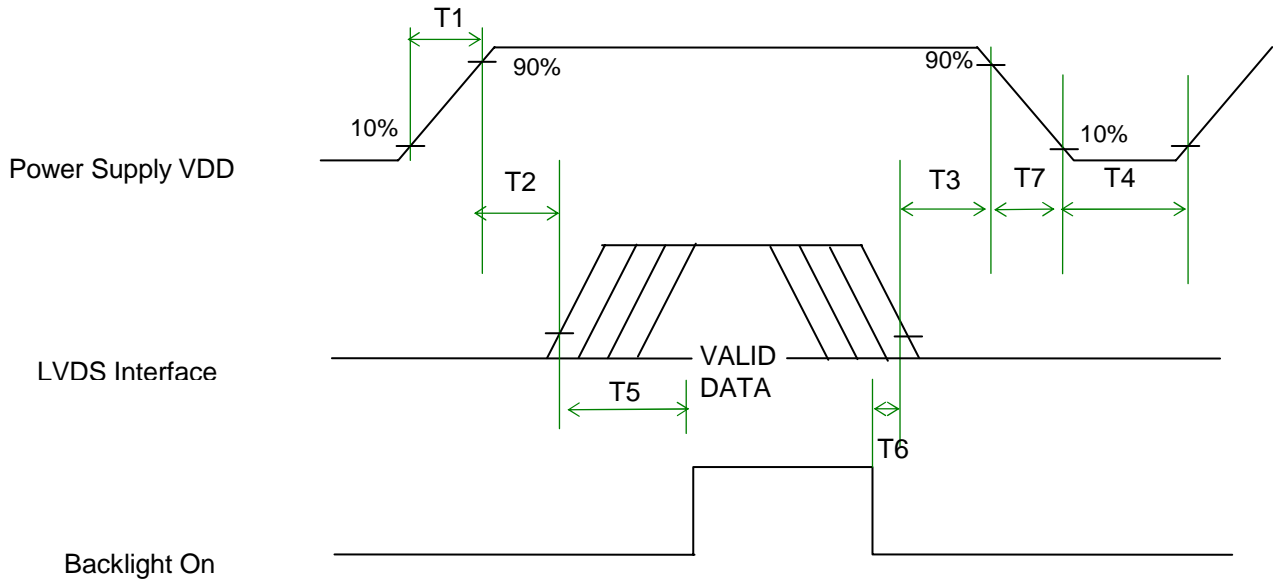
Note : DE mode only

6.4.2 Timing diagram



6.5 Power ON/OFF Sequence

VDD power and lamp on/off sequence is as follows. Interface signals are also shown in the chart. Signals from any system shall be Hi-Z state or low level when VDD is off.



Power Sequence Timing

Parameter	Value			Units
	Min.	Typ.	Max.	
T1	0.5	-	10	(ms)
T2	0	-	50	(ms)
T3	0	-	50	(ms)
T4	500	-	-	(ms)
T5	200	-	-	(ms)
T6	200	-	-	(ms)
T7	0	-	10	(ms)

7. Connector & Pin Assignment

Physical interface is described as for the connector on module.

These connectors are capable of accommodating the following signals and will be following components.

7.1 TFT LCD Module

(A) CONNECTOR

Connector Name / Designation	For Signal Connector
Manufacturer	Hirose
Type / Part Number	DF19L-20P-1H
Mating Housing/Part Number	DF19G-20S-1C or compatible

(B) Signal Pin

Pin#	Signal Name	Pin#	Signal Name
1	GND	2	VDD
3	VDD	4	VDD _{EDID}
5	AGING	6	CLK _{EDID}
7	DATA _{EDID}	8	RxIN0N
9	RxIN0P	10	GND
11	RxIN1N	12	RxIN1P
13	GND	14	RxIN2N
15	RxIN2P	16	GND
17	RxCLKINN	18	RxCLKINP
19	GND	20	GND

7.2 Backlight Unit

Physical interface is described as for the connector on module.

These connectors are capable of accommodating the following signals and will be following components.

Connector Name / Designation	For Lamp Connector
Manufacturer	JST
Type / Part Number	BHSR-02VS-1
Mating Type / Part Number	SM02B-BHSS-1-TB

7.3 Signal for Lamp connector

Pin #	Cable color	Signal Name
1	Red	Lamp High Voltage
2	White	Lamp Low Voltage

8. Vibration and Shock Test

8.1 Vibration Test

Test Spec:

- Test method: Non-Operation
- Acceleration: 1.5G
- Frequency: 26 - 500Hz Random
- Sweep: 30 Minutes each Axis (X, Y, Z)

8.2 Shock Test Spec:

Test Spec:

- Test method: Non-Operation
- Acceleration: 180 G , Half sine wave
- Active time: 2 ms
- Pulse: X,Y,Z .one time for each side

9. Reliability

Items	Required Condition	Note
Temperature Humidity Bias	40 /95%,250Hr	
High Temperature Operation	50 /Dry,250Hr	
Low Temperature Operation	0 ,250Hr	
On/Off Test	ON/30 sec. OFF/30sec., 30,000 cycles.	
Hot Storage	65 /20% RH ,250 hours	
Cold Storage	-40 /50% RH ,250 hours	
Thermal Shock Test	-40 /20 min ,65 /20 min 300cycles	
Hot Start Test	50 /1 Hr min. power on/off per 5 minutes, 5 times	
Cold Start Test	0 /1 Hr min. power on/off per 5 minutes, 5 times	
Shock Test (Non-Operating)	180G, 2ms, Half-sine wave	
Vibration Test (Non-Operating)	Random vibration, 1.5 G zero-to-peak, 26 to 500 Hz, 30 mins in each of three mutually perpendicular axes.	
ESD	Contact : ±8KV/ operation Air : ±15KV / operation	Note 1
Room temperature Test	25 , 2000hours, Operating with loop pattern	

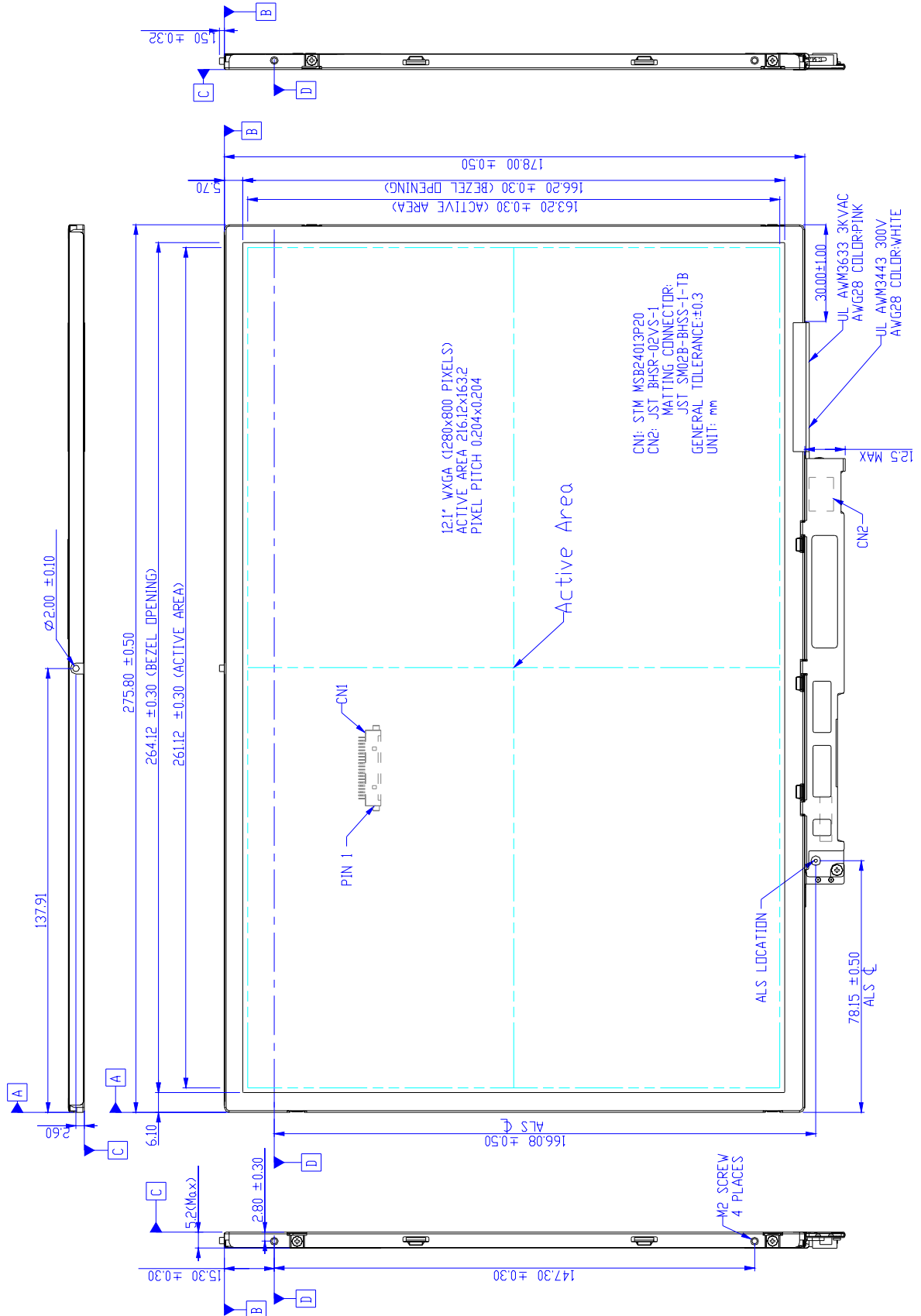
Note1: According to EN61000-4-2 , ESD class B: Some performance degradation allowed. No data lost
. Self-recoverable. No hardware failures.

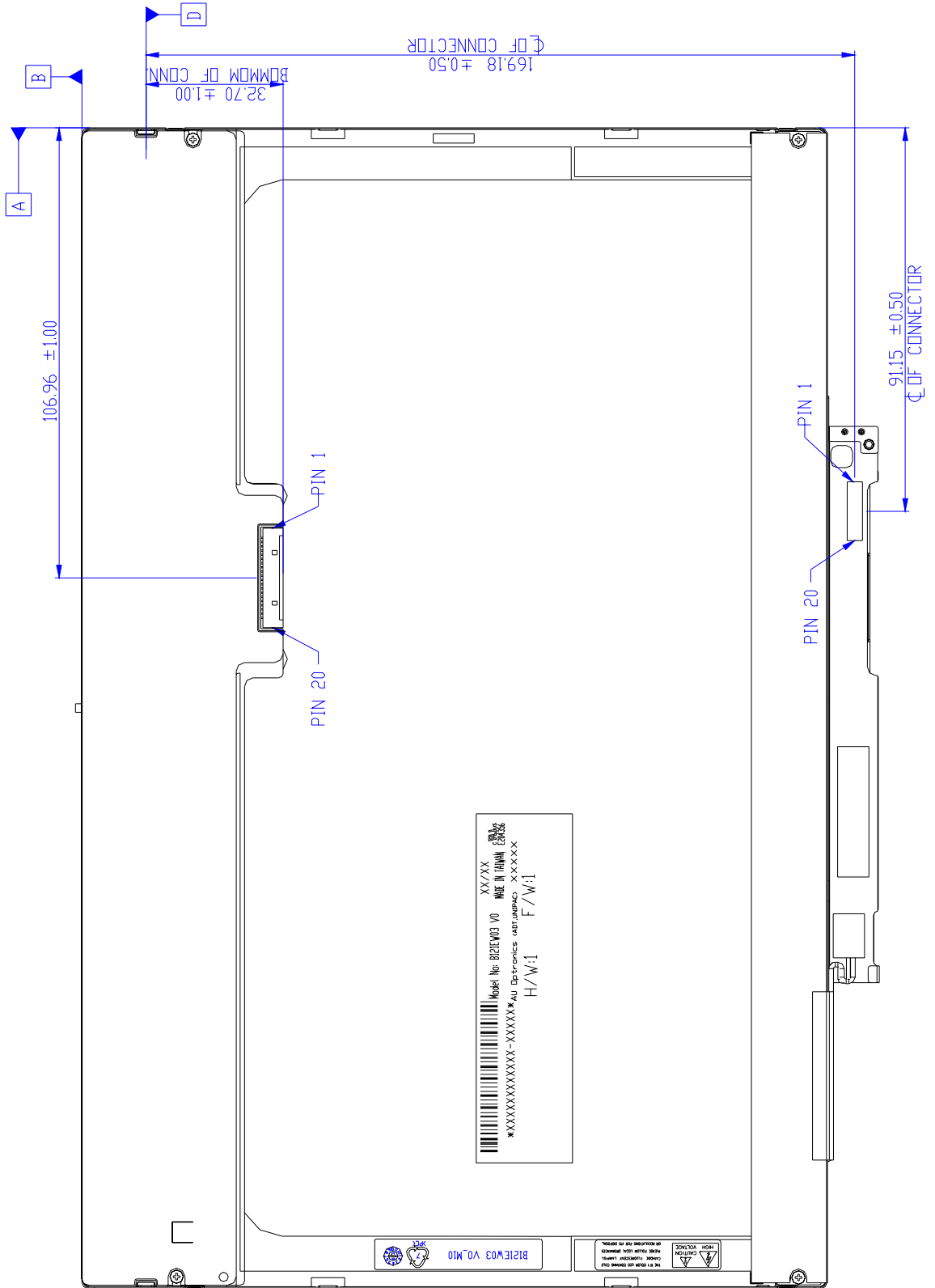
Note2: CCFL Life time: 10,000 hours minimum under normal module usage.

Note3: MTBF (Excluding the CCFL): 30,000 hours with a confidence level 90%

10. Mechanical Characteristics

10.1 LCM Outline Dimension



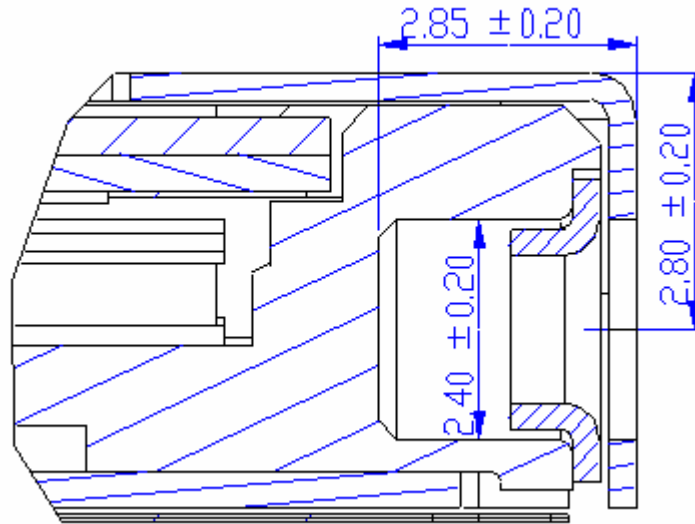


10.2 Screw Hole Depth and Center Position

Screw hole minimum depth, from side surface = 2.85 mm (See drawing)

Screw hole center location, from front surface = 328 ± 0.2 mm (See drawing)

Screw Torque: Maximum 2.2 kgf-cm



11. Shipping and Package

11.1 Shipping Label Format

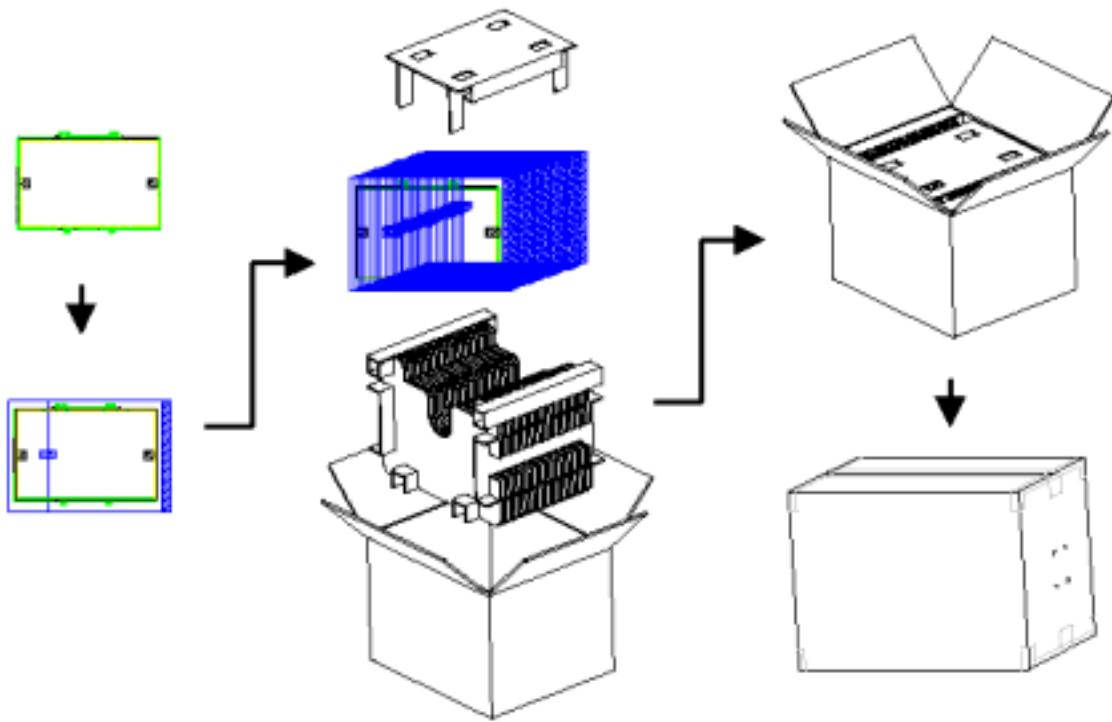


Note 1:

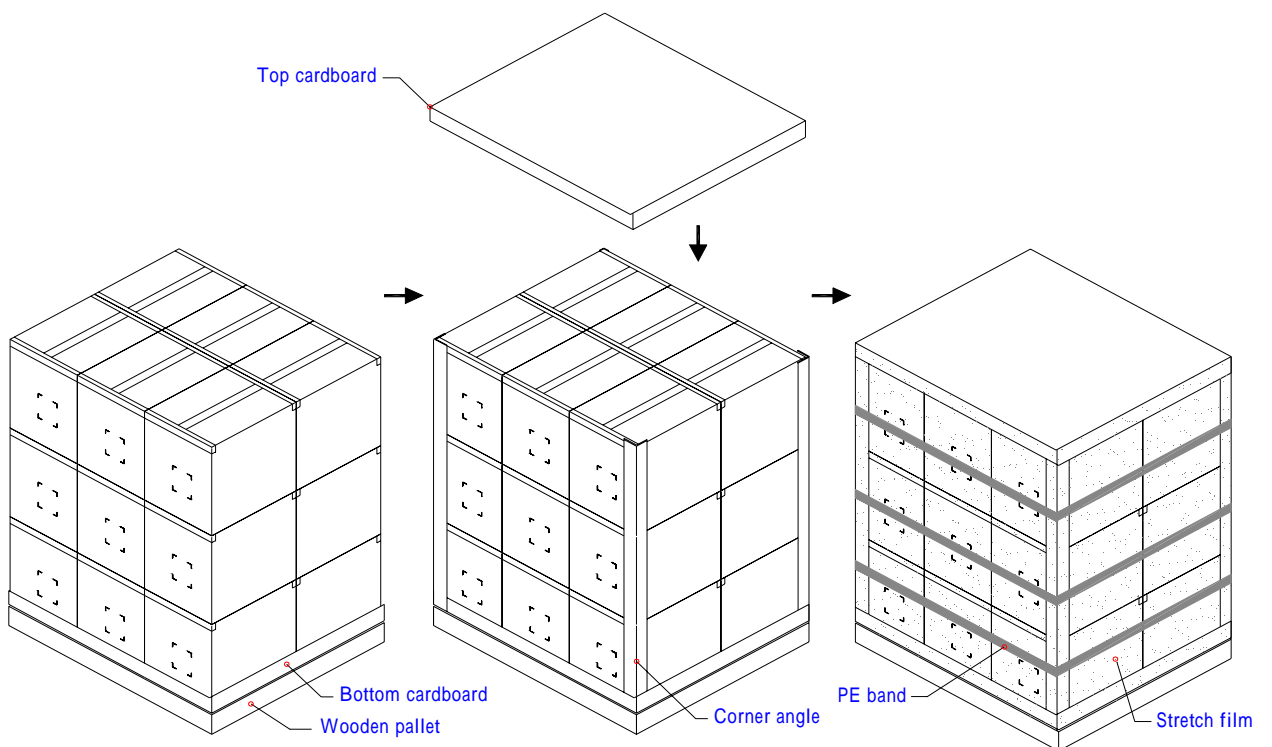
IC Combination	Inverter Combination	Control Code	H/W
Source IC: Novaek Gate IC: Novatek	Sumida(MPS)	OAXXX	0A
Source IC: Novaek Gate IC: Novatek	Foxconn(Maxim)	1AXXX	1A
Source IC: Novaek Gate IC: Novatek	Foxconn(Maxim)	1AXXX	2A

11.2. Carton package

The outside dimension of carton is 486 (L)mm x 286 (W)mm x 360 (H)mm



11.3 Shipping package of palletizing sequence



12. Appendix: EDID description

Byte (hex)	Field Name and Comments	Value (hex)	Value (binary)
0	Header	00	00000000
1	Header	FF	11111111
2	Header	FF	11111111
3	Header	FF	11111111
4	Header	FF	11111111
5	Header	FF	11111111
6	Header	FF	11111111
7	Header	00	00000000
8	EISA manufacture code = 3 Character ID	06	00000110
9	EISA manufacture code (Compressed ASCII)	AF	10101111
0A	Panel Supplier Reserved – Product Code	14	00010100
0B	Panel Supplier Reserved – Product Code	30	00110000
0C	LCD module Serial No - Preferred but Optional (“0” if not used)	00	00000000
0D	LCD module Serial No - Preferred but Optional (“0” if not used)	00	00000000
0E	LCD module Serial No - Preferred but Optional (“0” if not used)	00	00000000
0F	LCD module Serial No - Preferred but Optional (“0” if not used)	00	00000000
10	Week of manufacture	01	00000001
11	Year of manufacture	10	00010000
12	EDID structure version # = 1	01	00000001
13	EDID revision # = 3	03	00000011
14	Video I/P definition = Digital I/P (80h)	80	10000000
15	Max H image size = (Rounded to cm)	1A	00011010
16	Max V image size = (Rounded to cm)	10	00010000
17	Display gamma = (gamma x100)-100 = Example: (2.2x100) – 100 = 120	78	01111000
18	Feature support (no DPMS, Active off, RGB, timing BLK 1)	0A	00001010
19	Red/Green Low bit (RxRy/GxGy)	87	10000111
1A	Blue/White Low bit (BxBY/WxWy)	FE	11111110
1B	Red X Rx = 0.xxx	94	10010100
1C	Red Y Ry = 0.xxx	57	01010111
1D	Green X Gx = 0.xxx	4F	01001111
1E	Green Y Gy = 0.xxx	8C	10001100
1F	Blue X Bx = 0.xxx	27	00100111
20	Blue Y By = 0.xxx	27	00100111
21	White X Wx = 0.xxx	50	01010000
22	White Y Wy = 0.xxx	54	01010100
23	Established timings 1 (00h if not used)	00	00000000
24	Established timings 2 (00h if not used)	00	00000000

Product Specification

25	Manufacturer's timings (00h if not used)	00	00000000
26	Standard timing ID1 (01h if not used)	01	00000001
27	Standard timing ID1 (01h if not used)	01	00000001
28	Standard timing ID2 (01h if not used)	01	00000001
29	Standard timing ID2 (01h if not used)	01	00000001
2A	Standard timing ID3 (01h if not used)	01	00000001
2B	Standard timing ID3 (01h if not used)	01	00000001
2C	Standard timing ID4 (01h if not used)	01	00000001
2D	Standard timing ID4 (01h if not used)	01	00000001
2E	Standard timing ID5 (01h if not used)	01	00000001
2F	Standard timing ID5 (01h if not used)	01	00000001
30	Standard timing ID6 (01h if not used)	01	00000001
31	Standard timing ID6 (01h if not used)	01	00000001
32	Standard timing ID7 (01h if not used)	01	00000001
33	Standard timing ID7 (01h if not used)	01	00000001
34	Standard timing ID8 (01h if not used)	01	00000001
35	Standard timing ID8 (01h if not used)	01	00000001
36	Pixel Clock/10,000 (LSB)	90	10010000
37	Pixel Clock/10,000 (MSB)	1A	00011010
38	Horizontal Active = 1024 pixels (lower 8 bits)	00	00000000
39	Horizontal Blanking (Thbp) = 320 pixels (lower 8 bits)	70	01110000
3A	Horizontal Active/Horizontal blanking (Thbp) (upper4:4 bits)	50	01010000
3B	Vertical Active = 768 lines	20	00100000
3C	Vertical Blanking (Tvbp) = 38 lines (DE Blanking typ. for DE only panels)	10	00010000
3D	Vertical Active : Vertical Blanking (Tvbp) (upper4:4 bits)	30	00110000
3E	Horizontal Sync, Offset (Thfp) = 26 pixels	15	00010101
3F	Horizontal Sync, Pulse Width = 136 pixels	20	00100000
40	Vertical Sync, Offset (Tvfp) = 3 lines Sync Width = 6 lines	44	01000100
41	Horizontal Vertical Sync Offset/Width upper 2 bits	00	00000000
42	Horizontal Image Size = 304 mm	05	00000101
43	Vertical image Size = 228 mm	A3	10100011
44	Horizontal Image Size / Vertical image size	10	00010000
45	Horizontal Border = 0 (Zero for Notebook LCD)	00	00000000
46	Vertical Border = 0 (Zero for Notebook LCD)	00	00000000
47	Non-interlaced, Normal, no stereo, Separate sync, H/V pol Negatives, DE only note: LSB is set to "1" if panel is DE-timing only. H/V can be ignored.	18	00011000
48	Pixel Clock/10,000 (LSB)	00	00000000
49	Pixel Clock/10,000 (MSB)	00	00000000
4A	Horizontal Active = xxxx pixels (lower 8 bits)	00	00000000

Product Specification

4B	Horizontal Blanking (Thbp) = xxxx pixels (lower 8 bits)	00	00000000
4C	Horizontal Active/Horizontal blanking (Thbp) (upper4:4 bits)	00	00000000
4D	Vertical Active = xxxx lines	00	00000000
4E	Vertical Blanking (Tvbp) = xxxx lines (DE Blanking typ. for DE only panels)	00	00000000
4F	Vertical Active : Vertical Blanking (Tvbp) (upper4:4 bits)	00	00000000
50	Horizontal Sync, Offset (Thfp) = xxxx pixels	00	00000000
51	Horizontal Sync, Pulse Width = xxxx pixels	00	00000000
52	Vertical Sync, Offset (Tvfp) = xx lines Sync Width = xx lines	00	00000000
53	Horizontal Vertical Sync Offset/Width upper 2 bits	00	00000000
54	Horizontal Image Size =xxx mm	00	00000000
55	Vertical image Size = xxx mm	00	00000000
56	Horizontal Image Size / Vertical image size	00	00000000
57	Horizontal Border = 0 (Zero for Notebook LCD)	00	00000000
58	Vertical Border = 0 (Zero for Notebook LCD)	00	00000000
59	Module "A" Revision = Example: 00, 01, 02, 03, etc.	00	00000000
5A	Flag	00	00000000
5B	Flag	00	00000000
5C	Flag	00	00000000
5D	Dummy Descriptor	FE	11111110
5E	Flag	00	00000000
5F	Dell P/N 1 st Character	44	01000100
60	Dell P/N 2 nd Character	46	01000110
61	Dell P/N 3 rd Character	38	00111000
62	Dell P/N 4 th Character	39	00111001
63	Dell P/N 5 th Character	32	00110010
64	LCD Supplier EEDID Revision #	04	00000100
65	Manufacturer P/N	42	01000010
66	Manufacturer P/N	31	00110001
67	Manufacturer P/N	32	00110010
68	Manufacturer P/N	31	00110001
69	Manufacturer P/N	45	01000101
6A	Manufacturer P/N	57	01010111
6B	Manufacturer P/N (If <13 char, then terminate with ASCII code 0Ah, set remaining char = 20h)	33	00110011
6C	Flag	00	00000000
6D	Flag	00	00000000
6E	Flag	00	00000000
6F	Data Type Tag:	FE	11111110
70	Flag	00	00000000
71	SMBUS Value = XX nits	2B	00101011
72	SMBUS Value = XX nits	3A	00111010
73	SMBUS Value = XX nits	46	01000110

Product Specification

74	SMBUS Value = XX nits	4F	01001111
75	SMBUS Value = XX nits	6E	01101110
76	SMBUS Value = XXX nits	90	10010000
77	SMBUS Value = XXX nits	AC	10101100
78	SMBUS Value = max nits (Typically = 00h, XXX nits)	E6	11100110
79	Number of LVDS receiver chips = '01' or '02'	01	00000001
7A	BIST Enable: Yes = '01' No = '00'	01	00000001
7B	(If <13 char, then terminate with ASCII code 0Ah, set remaining char = 20h)	0A	00001010
7C	(If <13 char, then terminate with ASCII code 0Ah, set remaining char = 20h)	20	00100000
7D	(If <13 char, then terminate with ASCII code 0Ah, set remaining char = 20h)	20	00100000
7E	Extension flag (# of optional 128 EDID extension blocks to follow, Typ = 0)	00	00000000
7F	Checksum (The 1-byte sum of all 128 bytes in this EDID block shall = 0)	C4	11000100