

**3-TERMINAL 1A ADJUSTABLE VOLTAGE REGULATOR**

**AZ317**

**General Description**

The AZ317 is an adjustable three-terminal positive voltage regulator with a very low dropout of 1.2V at 1A output current. Using 2 external resistors, the AZ317 can provide an adjustable output voltage down to 1.25V.

The AZ317 includes a circuit of trimmed bandgap reference to assure output voltage accuracy to be within 1%. It also provides current limiting and thermal shut-down. The current limit is trimmed to ensure specified output current and controlled short-circuit current. The On-chip thermal limiting provides protection against any combination of overload and ambient temperature that would create excessive junction temperature.

The AZ317 is available in the standard SOT-223, TO-220-3, TO-252-2 (1), TO-252-2 (3) and TO-263-3 power packages.

**Features**

- Typical 1% Output Voltage Tolerance
- Typical 0.01%/V Line Regulation
- Typical 0.2% Load Regulation
- Very Low Dropout Voltage: 1.2V at 1A Output Current
- Trimmed Current Limit
- On-chip Thermal Protection
- Operation Junction Temperature: 0 to 125°C

**Applications**

- PC Motherboard
- LCD Monitor
- Graphic Card
- DVD Player
- Network Interface Card/Switch
- Telecom Equipment
- Printer and other Peripheral Equipment

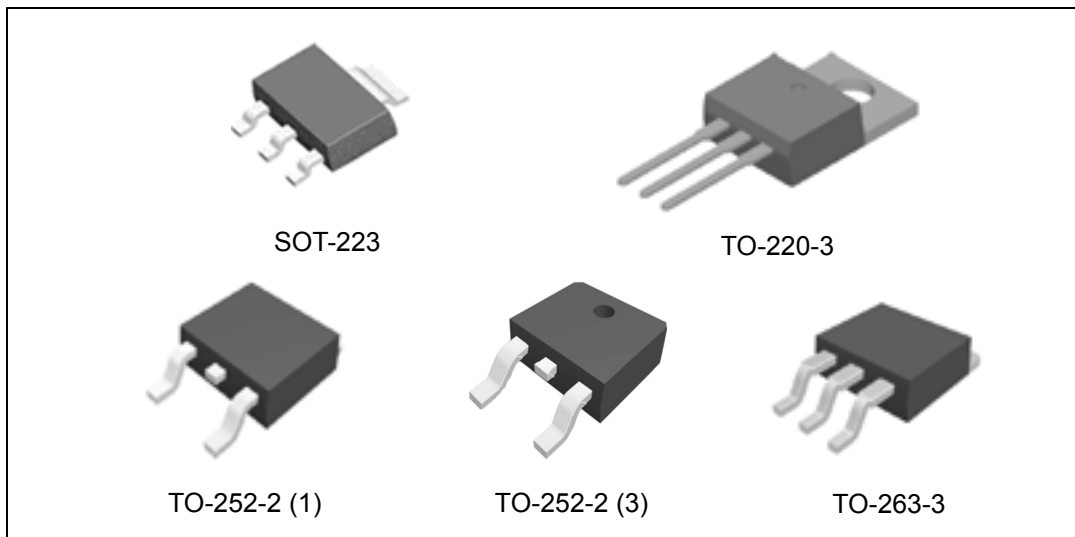


Figure 1. Package Types of AZ317

**3-TERMINAL 1A ADJUSTABLE VOLTAGE REGULATOR**

**AZ317**

**Pin Configuration**

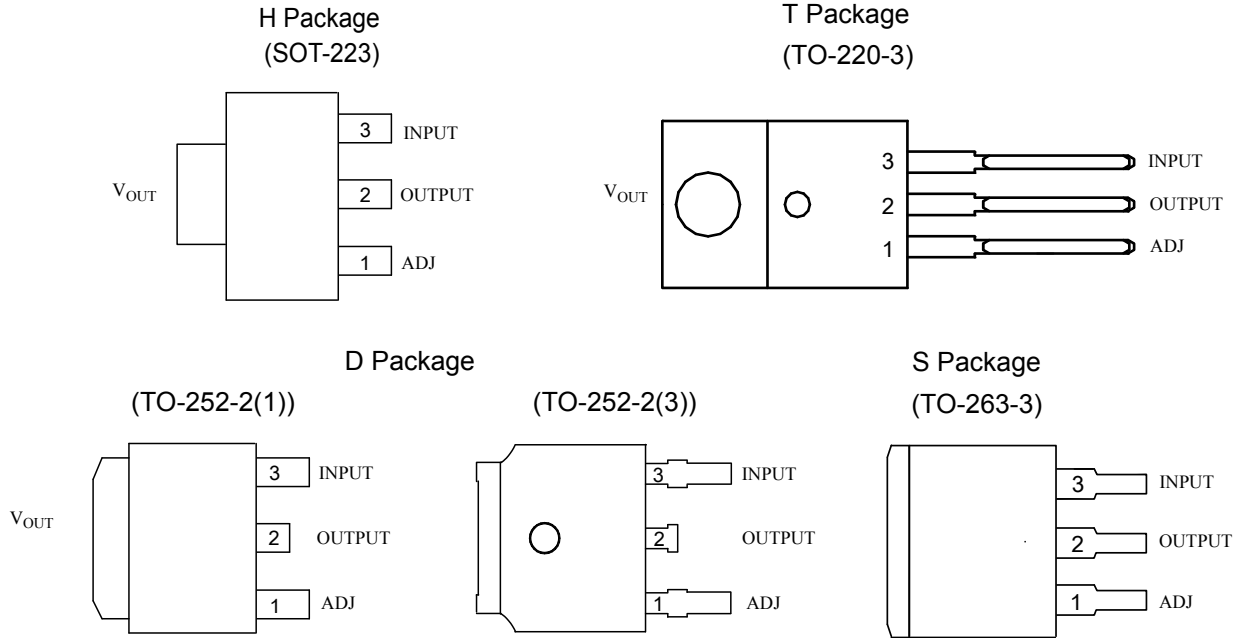


Figure 2. Pin Configuration of AZ317 (Top View)

**Functional Block Diagram**

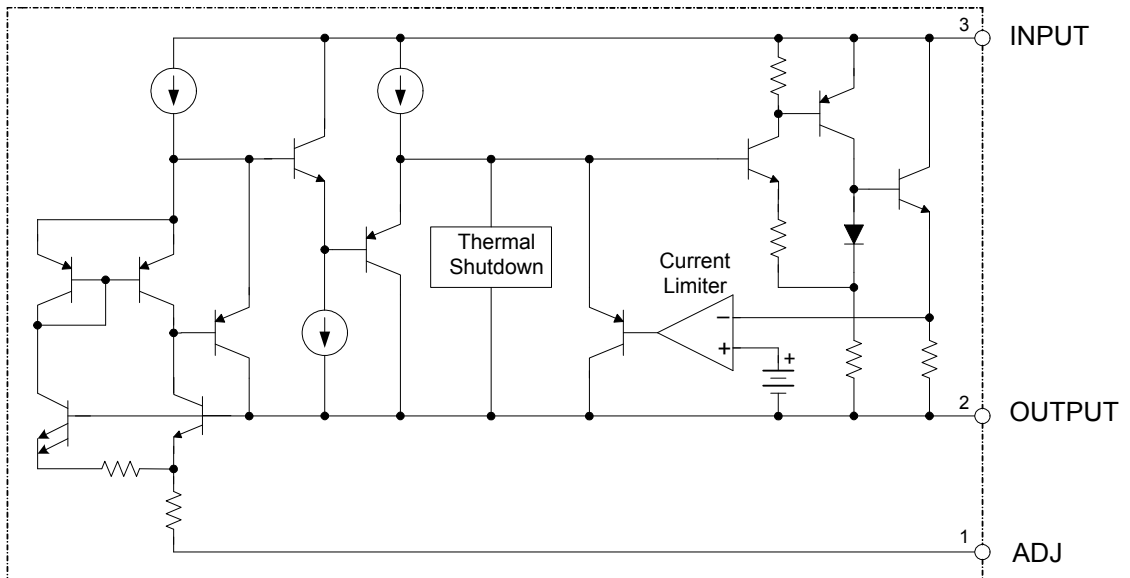


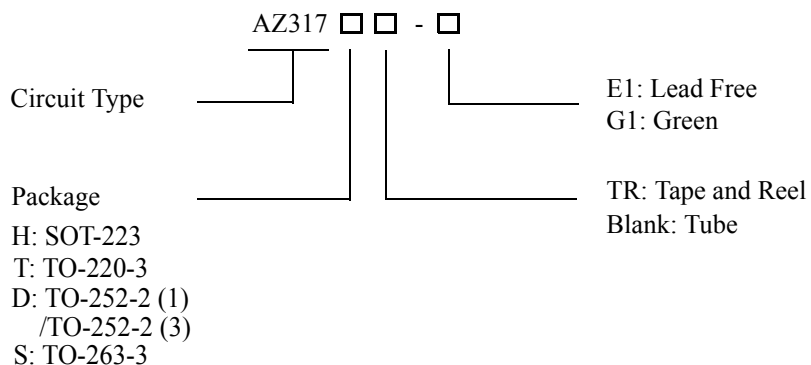
Figure 3. Functional Block Diagram of AZ317



**3-TERMINAL 1A ADJUSTABLE VOLTAGE REGULATOR**

**AZ317**

**Ordering Information**



Package	Temperature Range	Part Number		Marking ID		Packing Type
		Lead Free	Green	Lead Free	Green	
SOT-223	0 to 125°C	AZ317HTR-E1	AZ317HTR-G1	EH31A	GH31A	Tape & Reel
TO-220-3	0 to 125°C	AZ317T-E1	AZ317T-G1	AZ317T-E1	AZ317T-G1	Tube
TO-252-2 (1)/ TO-252-2 (3)	0 to 125°C	AZ317DTR-E1	AZ317DTR-G1	AZ317D-E1	AZ317D-G1	Tape & Reel
TO-263-3	0 to 125°C	AZ317S-E1	AZ317S-G1	AZ317S-E1	AZ317S-G1	Tube
		AZ317STR-E1	AZ317STR-G1	AZ317S-E1	AZ317S-G1	Tape & Reel

BCD Semiconductor's Pb-free products, as designated with "E1" suffix in the part number, are RoHS compliant. Products with "G1" suffix are available in green packages.

**3-TERMINAL 1A ADJUSTABLE VOLTAGE REGULATOR****AZ317****Absolute Maximum Ratings (Note 1)**

Parameter	Symbol	Min	Max	Unit
Input Voltage	$V_{IN}$		20	V
Maximum Junction Temperature	$T_J$		150	°C
Storage Temperature	$T_S$	-65	150	°C
Lead Temperature (Soldering, 10sec)	$T_{LEAD}$		300	°C
ESD (Human Body Model)	ESD		4000	V

Note1: Stresses greater than those listed under "Absolute Maximum Ratings" may cause permanent damage to the device. These are stress ratings only, and functional operation of the device at these or any other conditions beyond those indicated under "Recommended Operating Conditions" is not implied. Exposure to "Absolute Maximum Ratings" for extended periods may affect device reliability.

**Recommended Operating Conditions**

Parameter	Symbol	Min	Max	Unit
Input Voltage	$V_{IN}$	$V_{OUT}+2$	15	V
Operating Junction Temperature Range	$T_J$	0	125	°C

**3-TERMINAL 1A ADJUSTABLE VOLTAGE REGULATOR****AZ317****Electrical Characteristics**(Typicals and limits apply for  $T_J = 25^\circ\text{C}$ ,  $P \leq$  Maximum Power Dissipation unless otherwise specified.)(Note 2)

Parameter	Symbol	Conditions	Min	Typ	Max	Unit
Reference Voltage	$V_{REF}$	$10\text{mA} \leq I_{OUT} \leq 1\text{A}$ , $3\text{V} \leq (V_{IN} - V_{OUT}) \leq 10\text{V}$	1.20	1.25	1.30	V
Line Regulation	$S_V$	$I_{OUT} \leq 20\text{mA}$ , $3\text{V} \leq V_{IN} - V_{OUT} \leq 10\text{V}$		0.01	0.04	%/V
Load Regulation	$S_i$	$V_{IN} - V_{OUT} = 2\text{V}$ , $10\text{mA} \leq I_{OUT} \leq 1\text{A}$		0.2	0.4	%
Thermal Regulation		20ms Pulse		0.04	0.07	%/W
Dropout Voltage	$\Delta V$	$I_{OUT} = 1\text{A}$		1.2	1.3	V
Current Limit	$I_{LIMIT}$	$(V_{IN} - V_{OUT}) = 2\text{V}$	1.2	1.5	1.8	A
Adjust Pin Current				50	100	$\mu\text{A}$
Adjust Pin Current Change		$1.4\text{V} \leq (V_{IN} - V_{OUT}) \leq 10\text{V}$ , $10\text{mA} \leq I_{OUT} \leq 1\text{A}$		0.2	5	$\mu\text{A}$
Minimum Load Current		$3\text{V} \leq (V_{IN} - V_{OUT}) \leq 15\text{V}$		3.5	10	mA
Ripple Rejection		$f = 120\text{Hz}$ , $C_{OUT} = 1\mu\text{F}$ Tantalum, $(V_{IN} - V_{OUT}) = 3\text{V}$ , $I_{OUT} = 1\text{A}$	60	75		dB
Temperature Stability				1		%
Long -Term Stability		$T_A = 125^\circ\text{C}$ , 1000hrs		0.3		%
RMS Output Noise (% of $V_{OUT}$ )		$T_A = 25^\circ\text{C}$ , $10\text{Hz} \leq f \leq 10\text{kHz}$		0.003		%
Thermal Resistance, Junction to Case		SOT-223 TO-252-2 (1)/(3) TO-220 TO-263		15 10 4.5 4		$^\circ\text{C}/\text{W}$
Thermal Shutdown		Junction Temperature		150		$^\circ\text{C}$
Thermal Shutdown Hysteresis				25		$^\circ\text{C}$

Note 2: Maximum Power Dissipation is Package Type and Case Temperature dependent. Please see Figure 12.



**3-TERMINAL 1A ADJUSTABLE VOLTAGE REGULATOR**

**AZ317**

**Typical Performance Characteristics**

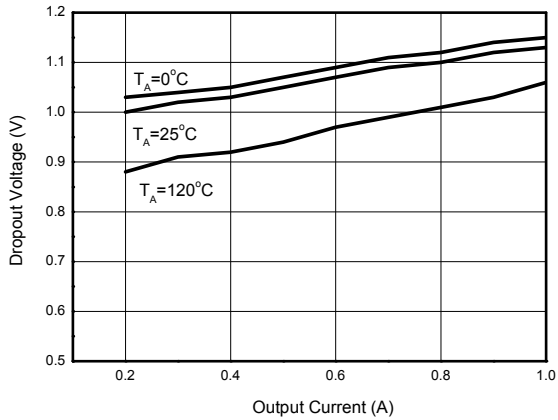


Figure 5. Dropout Voltage vs. Output Current

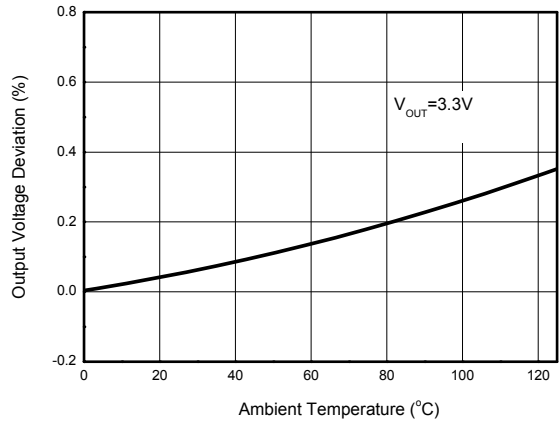


Figure 6. Load Regulation vs. Temperature

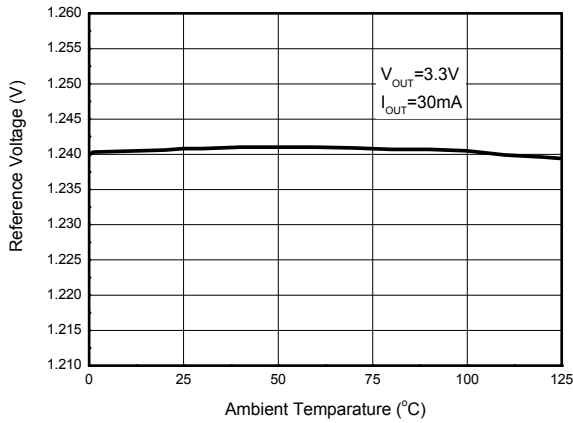


Figure 7. Reference Voltage vs. Temperature

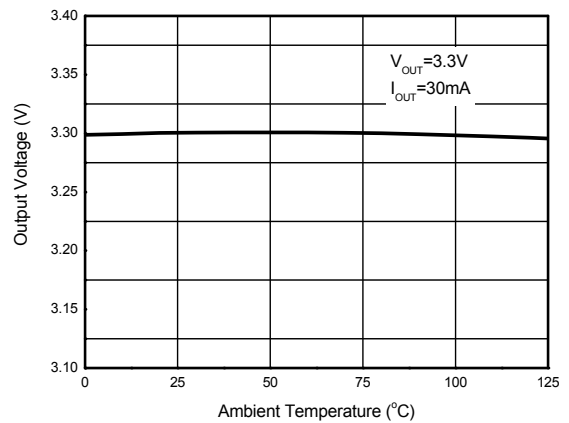


Figure 8. Output Voltage vs. Temperature



**3-TERMINAL 1A ADJUSTABLE VOLTAGE REGULATOR**

**AZ317**

**Typical Performance Characteristics (Continued)**

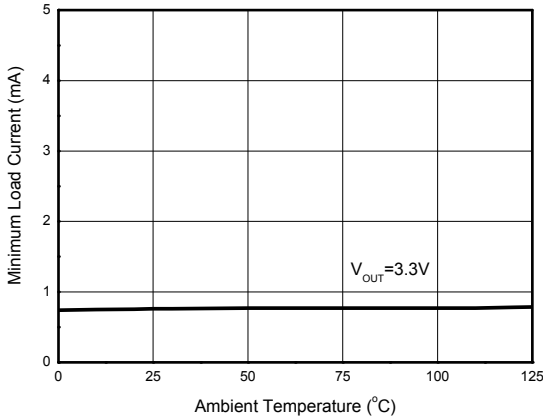


Figure 9. Minimum Load Current vs. Temperature

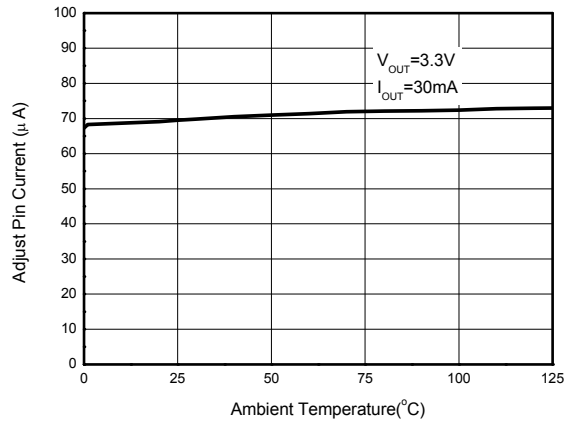


Figure 10. Adjust Pin Current vs. Temperature

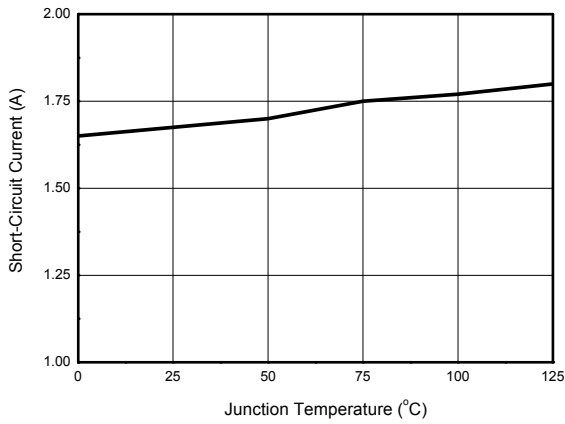


Figure 11. Short-Circuit Current vs. Temperature

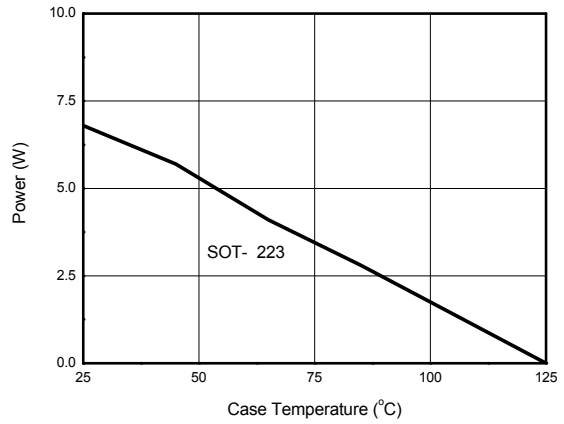


Figure 12. Maximum Power Dissipation

**3-TERMINAL 1A ADJUSTABLE VOLTAGE REGULATOR**

**AZ317**

**Typical Performance Characteristics (Continued)**

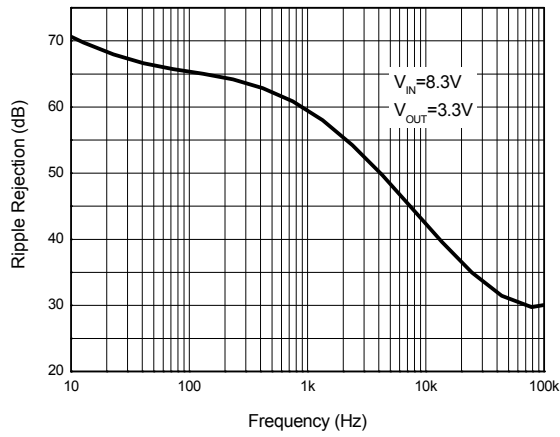


Figure 13. Ripple Rejection vs. Frequency

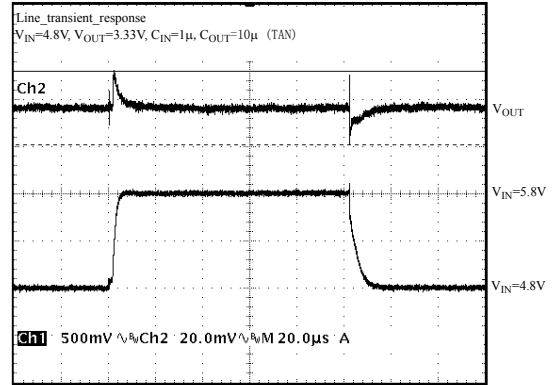


Figure 14. Line Transient Response

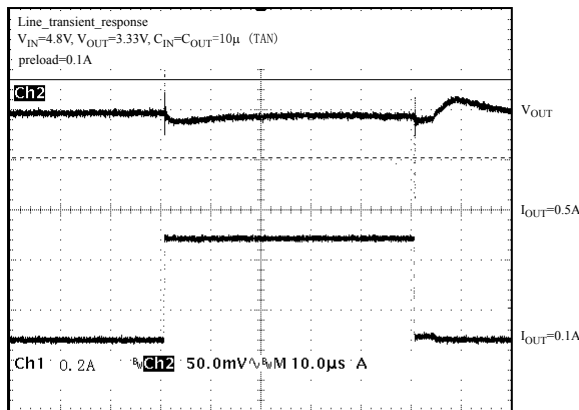


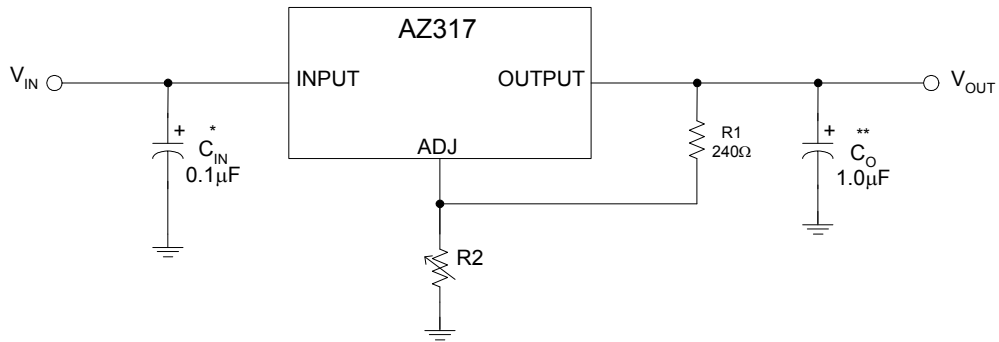
Figure 15. Load Transient Response



**3-TERMINAL 1A ADJUSTABLE VOLTAGE REGULATOR**

**AZ317**

**Typical Application**



\* =  $C_{IN}$  is required if the regulator is located near power supply filter.

\*\*=  $C_O$  is needed for stability and it improves transient response.

$$V_{OUT} = V_{REF} \times (1 + R2/R1) + I_{ADJ} \times R2$$

Since  $I_{ADJ}$  is controlled to less than  $100\mu A$ , the error associated with this term is negligible in most applications.

Figure 4. Typical Application of AZ317



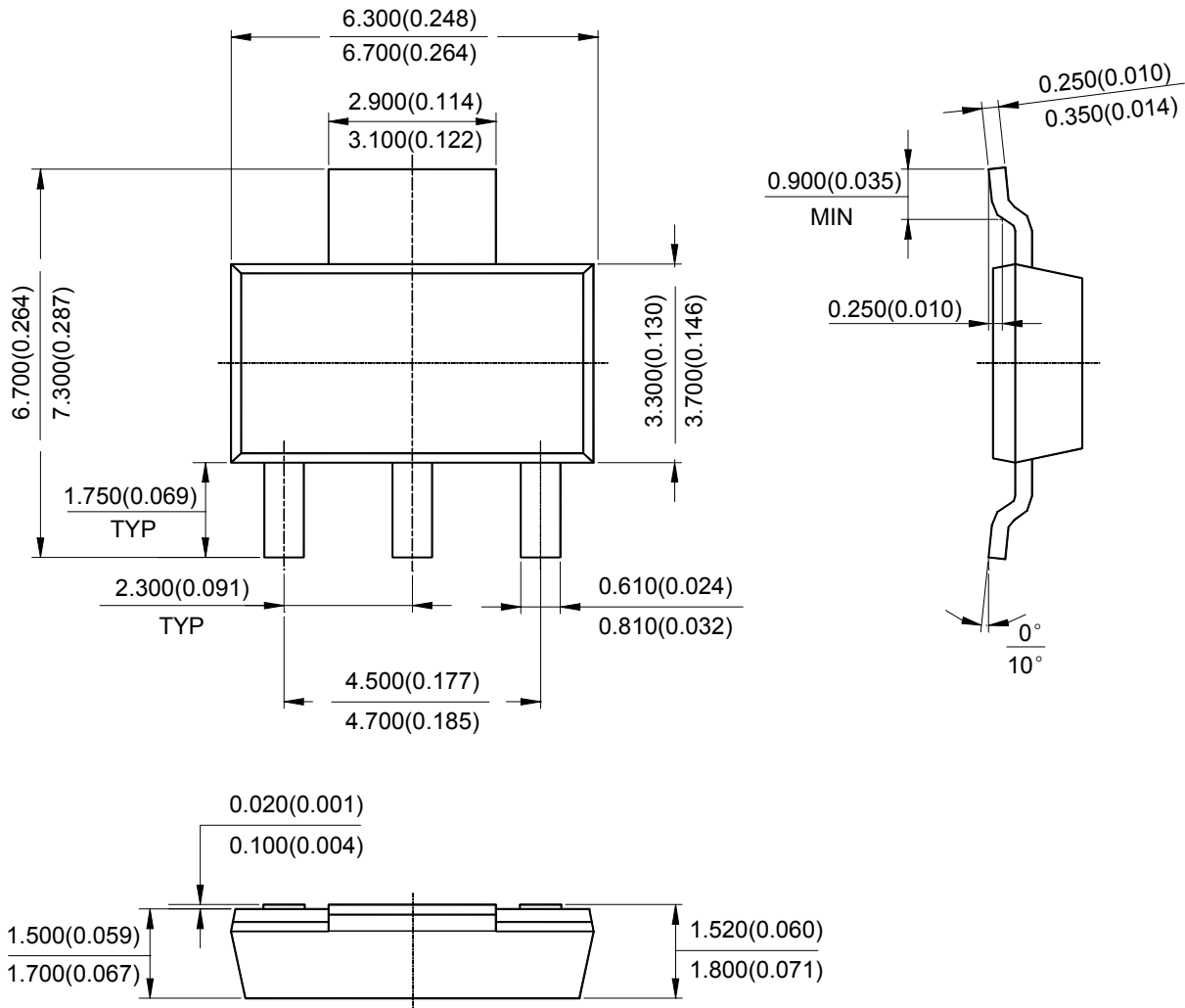
**3-TERMINAL 1A ADJUSTABLE VOLTAGE REGULATOR**

**AZ317**

**Mechanical Dimensions**

**SOT-223**

**Unit: mm(inch)**





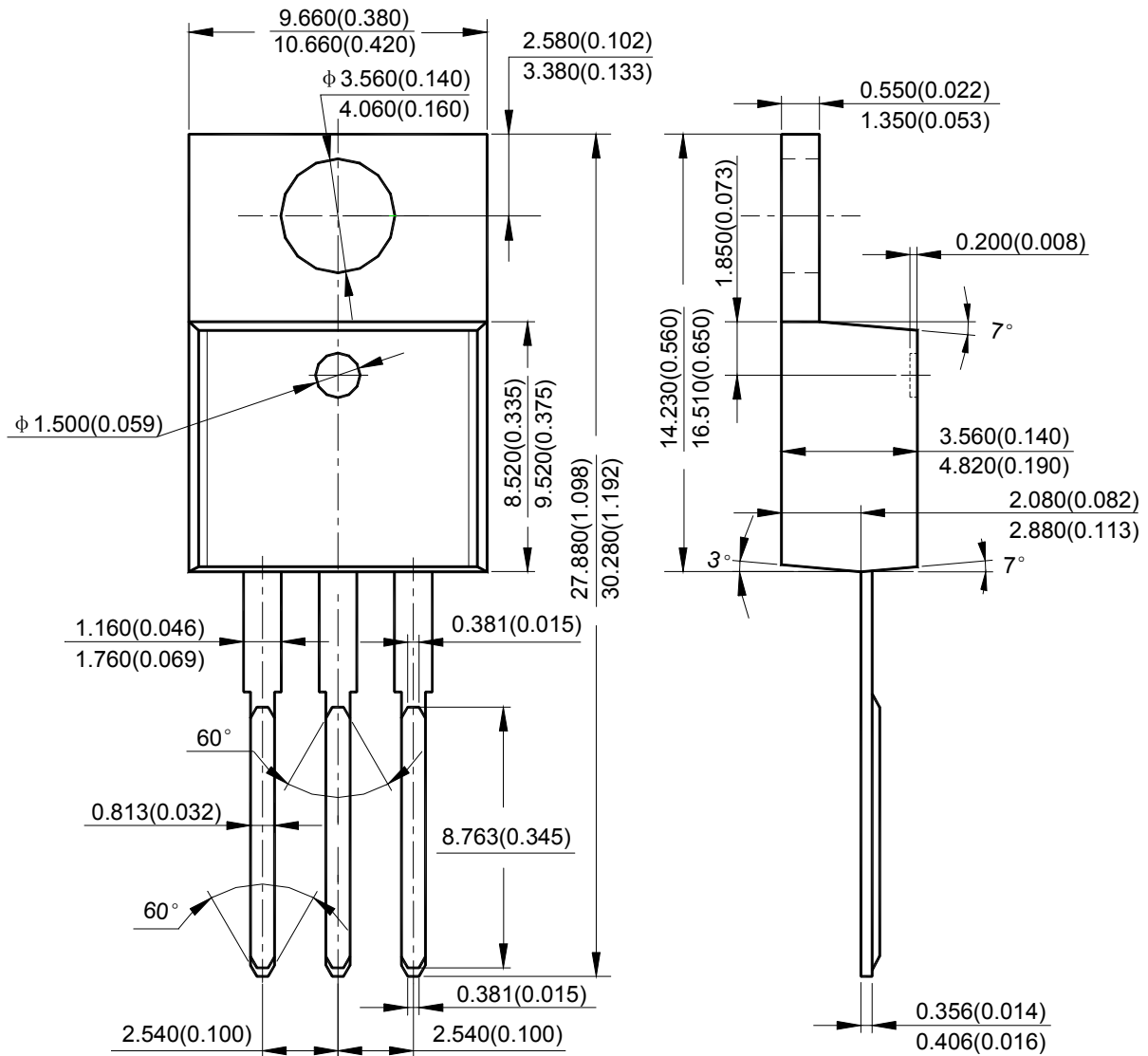
**3-TERMINAL 1A ADJUSTABLE VOLTAGE REGULATOR**

**AZ317**

**Mechanical Dimensions (Continued)**

**TO-220-3**

**Unit: mm(inch)**





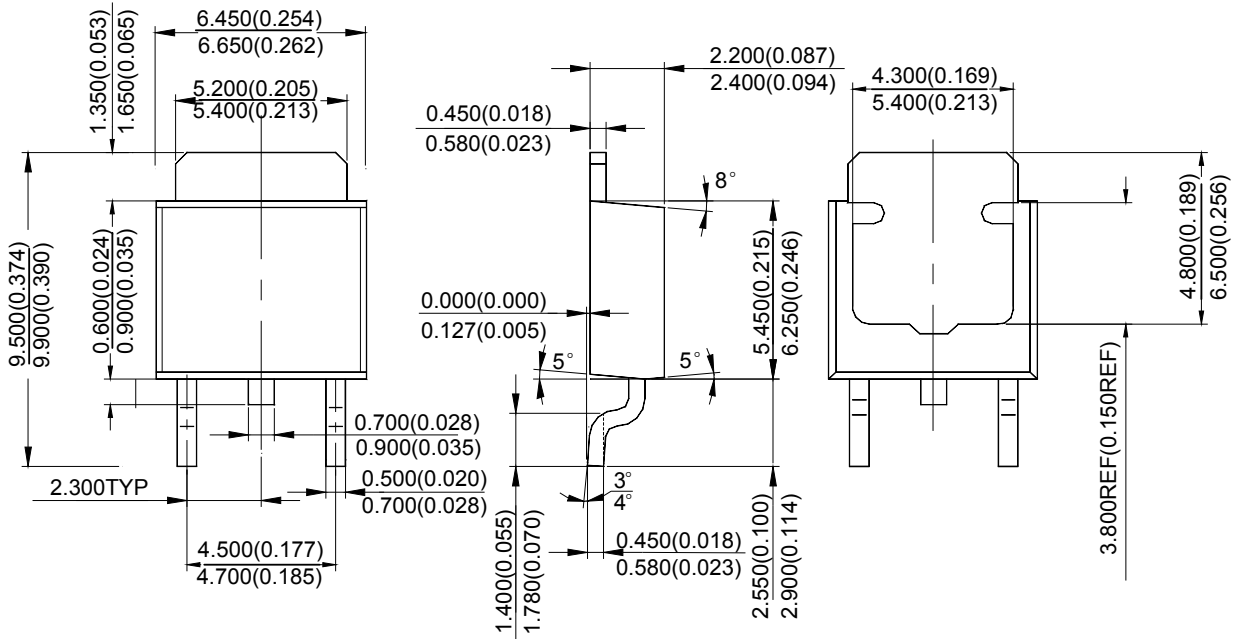
**3-TERMINAL 1A ADJUSTABLE VOLTAGE REGULATOR**

**AZ317**

**Mechanical Dimensions (Continued)**

**TO-252-2(1)**

**Unit: mm(inch)**









## **BCD Semiconductor Manufacturing Limited**

<http://www.bcdsemi.com>

### **IMPORTANT NOTICE**

BCD Semiconductor Manufacturing Limited reserves the right to make changes without further notice to any products or specifications herein. BCD Semiconductor Manufacturing Limited does not assume any responsibility for use of any its products for any particular purpose, nor does BCD Semiconductor Manufacturing Limited assume any liability arising out of the application or use of any its products or circuits. BCD Semiconductor Manufacturing Limited does not convey any license under its patent rights or other rights nor the rights of others.

---

#### **MAIN SITE**

##### **- Headquarters**

##### **BCD Semiconductor Manufacturing Limited**

No. 1600, Zi Xing Road, Shanghai Zizhu Science-based Industrial Park, 200241, China  
Tel: +86-21-24162266, Fax: +86-21-24162277

##### **- Wafer Fab**

##### **Shanghai SIM-BCD Semiconductor Manufacturing Co., Ltd.**

800 Yi Shan Road, Shanghai 200233, China  
Tel: +86-21-6485 1491, Fax: +86-21-5450 0008

#### **REGIONAL SALES OFFICE**

##### **Shenzhen Office**

##### **Shanghai SIM-BCD Semiconductor Manufacturing Co., Ltd., Shenzhen Office**

Unit A Room 1203, Skyworth Bldg., Gaoxin Ave. 1.S., Nanshan District, Shenzhen, China  
Tel: +86-755-8826 7951  
Fax: +86-755-8826 7865

##### **Taiwan Office**

##### **BCD Semiconductor (Taiwan) Company Limited**

4F, 298-1, Rui Guang Road, Nei-Hu District, Taipei, Taiwan  
Tel: +886-2-2656 2808  
Fax: +886-2-2656 2806

##### **USA Office**

##### **BCD Semiconductor Corp.**

30920 Huntwood Ave. Hayward, CA 94544, USA  
Tel : +1-510-324-2988  
Fax: +1-510-324-2788