

AsahiKASEI
ASAHI KASEI EMD

AKD4373-B

AK4373 Evaluation Board Rev.1

GENERAL DESCRIPTION

The AKD4373 is an evaluation board for 24bit DAC with Headphone Amplifier and a monaural speaker driver, AK4373. The AKD4373 has the interface with AKEMD's ADC evaluation boards. Therefore, it's easy to evaluate the AK4373. The ADK4373 also has the digital audio interface and can achieve the interface with digital audio systems via opt-connector.

■ Ordering guide

AKD4373-B --- Evaluation board for AK4373
(Cable for connecting with printer port of IBM-AT compatible PC and control software are packed with this. This control software does not operate on Windows NT.)

FUNCTION

- **Compatible with 2 types of interface**
 - Direct interface with AKEMD's A/D converter evaluation boards
 - On-board AK4116 as DIR which accepts optical input
- **10pin header for serial control interface**
- **Mini-jack for external Stereo HP and a monaural speaker**

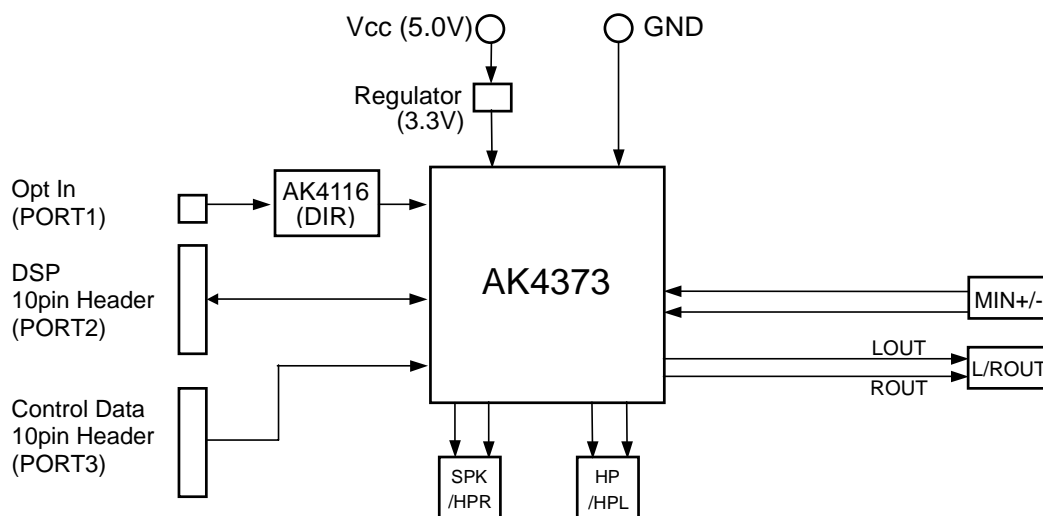


Figure 1. AKD4373 Block Diagram

* Circuit diagram and PCB layout are attached at the end of this manual.

Board Outline Chart

■ Outline Chart

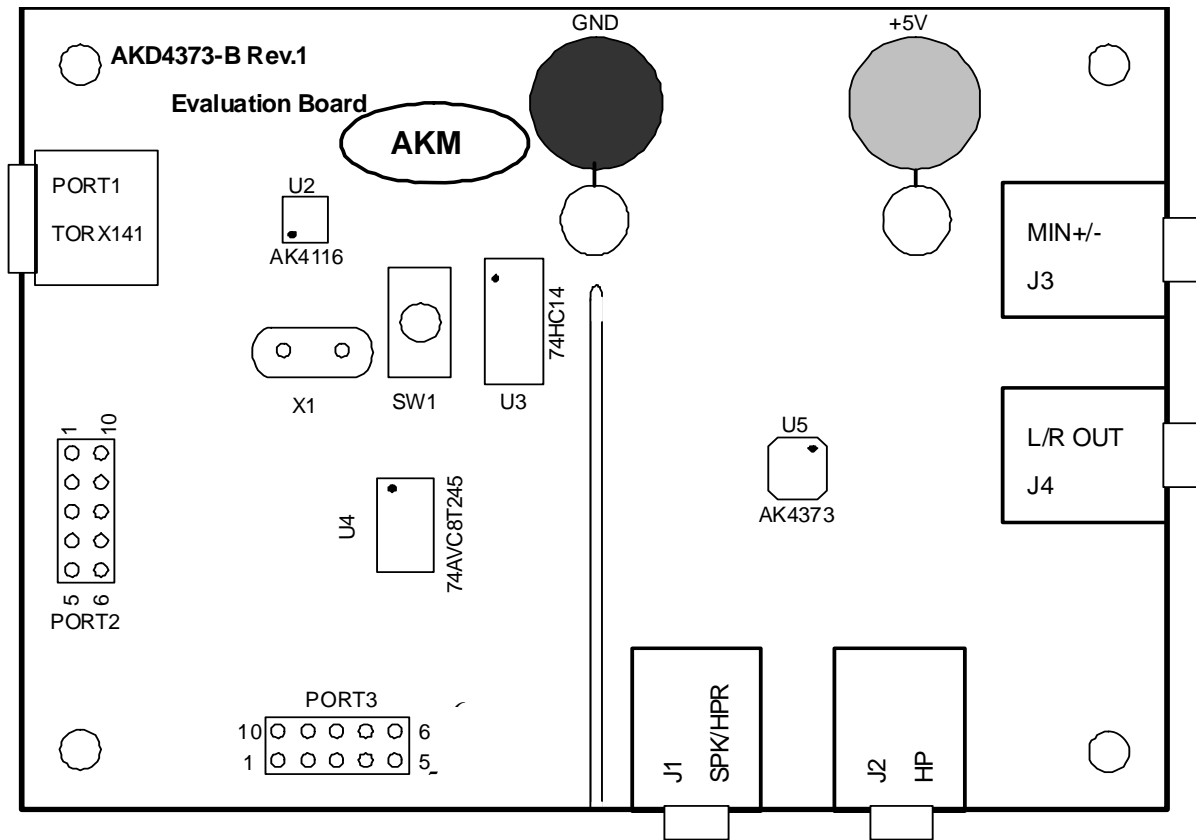


Figure 2. AKD4373-B Outline Chart

■ Comment

- (1) J1, J2, J3, J4 (MINI-JACK)
 - J1 (SPK/HPR-JACK): An analog signal output Jack. The signal is output to SPK or HPR pin.
 - J2 (HP-JACK): An analog signal output Jack. The signal is output to HP or HPL pin.
 - J3 (MIC-JACK): An analog signal input Jack. The signal is input to MIC pin.
 - J4 (L/ROUT-JACK): An analog signal output Jack. The signal is output to L/ROUT pin.
- (2) +5V, GND
 - +5V-JACK: The power supply connector.
 - GND-JACK: The ground connector.
- (3) PORT1 (Optical Connector)
 - PORT1 (Input): Optical digital signal (SPDIF, Fs: 32~48kHz) is input to the AK4116.
- (4) PORT2, PORT3 (10 pin header)
 - PORT2 (10 pin header): The clock and data can be input and output with this connector.
 - PORT3 (10 pin header): Control port. Connect the bundled cable into this port.

■ Operation sequence

- 1) Set up the power supply lines.

Name	Color	Voltage	Comments	Attention
+5V	Red	+5V	Input to regulator	This jack is always needed. Power line
GND	Black	0V	For ground	This jack is always needed.

Table 1. Set up power supply lines

- * Setting of Power Supply “DVDD”: JP10 (DVDD-REG)
 Open: It supplies “DVDD” from the outside to right pin.
 Short: It supplies “DVDD” from the Regulator (3.3V) <default>.

Each supply line should be distributed from the power supply unit.
 3.3V is supplied to AK4373 via the regulator.

- 2) Set up the evaluation mode, jumper pins. (See the followings.)
- 3) Power on.
 The AK4373 and AK4116 should be resets once bringing SW1 (DAC/DIR-PDN) “L” upon power-up.

■ Evaluation mode

When evaluating the AK4373 using the PORT1 (AK4116), it is possible to use the initial setting of the audio interface format (24bit MSB justified). The AK4116 operates at fs of 32kHz or more. If the fs is slower than 32kHz, any other evaluation mode should be used.

When inputting the data from the PORT2, the AK4373’s audio interface format should be set to correspond the input data’s audio interface format. Refer to the AK4373’s datasheet.

Applicable Evaluation Mode

- (1) PLL Master Mode
- (2) PLL Slave Mode
 - (2-1) PLL Reference Clock: MCKI pin
 - (2-2) PLL Reference Clock: BICK or LRCK pin
- (3) External Slave Mode
 - (3-1) Evaluation using DIR (Optical Link) of AK4116 <default>
 - (3-2) Evaluation connecting AKD4373 with external DSP
- (4) External Master Mode

(1) PLL Master Mode

PORT2 (DSP) is used. Nothing should be connected to PORT1 (DIR). BICK and LRCK are supplied from PORT2. It is possible to evaluate at various sampling frequencies using built-in the AK4373's PLL.

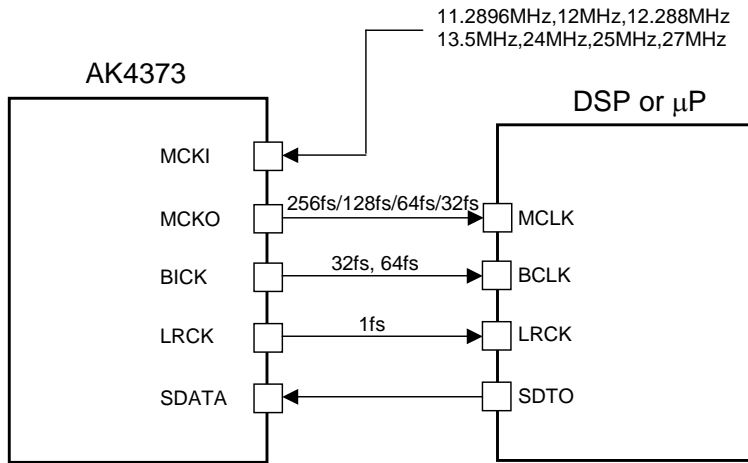
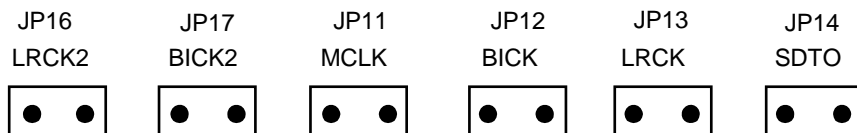


Figure 3. PLL Master Mode

The system clock should be connected to MCLK of PORT2. SDTI of PORT2 should be connected to SDTO of DSP. The JP16 (LRCK2) and JP17 (BICK2)'s right side should be connected to LRCK and BICK of DSP. In case of supplying MCKO to DSP, the test pin (MCKO) should be connected to MCLK of DSP.

Set up the jumper pins.



(2) PLL Slave Mode

(2-1) PLL Reference Clock: MCKI pin

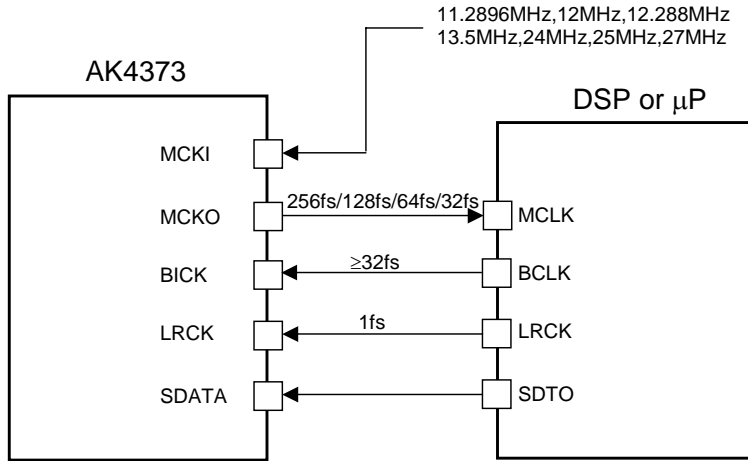
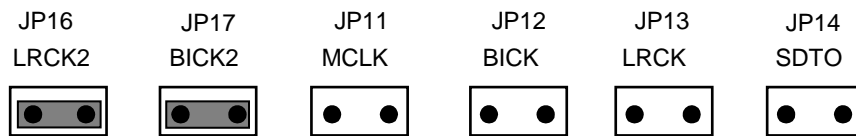


Figure 4. PLL Master Mode (PLL Reference Clock: MCKI pin)

PORT2 (DSP) is used. Nothing should be connected to PORT1 (DIR).
 MCKO is needed for a synchronous signal of BICK and LRCK.
 MCLK, BICK, LRCK and SDATA are supplied from PORT2. The test pin (MCKO) should be connected to MCLK of DSP.

Set up the jumper pins.



(2-2) PLL Reference Clock: BICK or LRCK pin

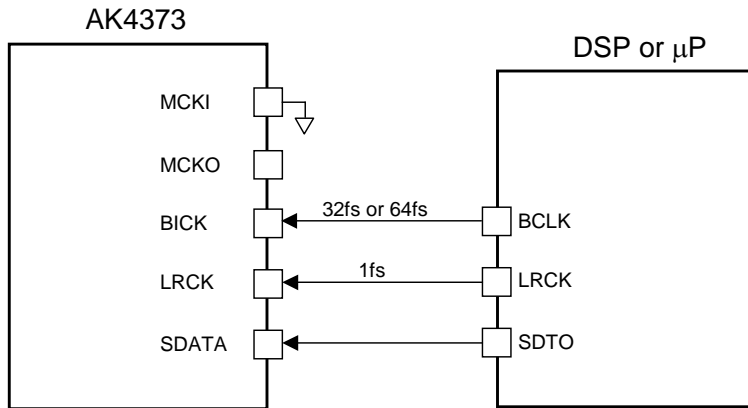
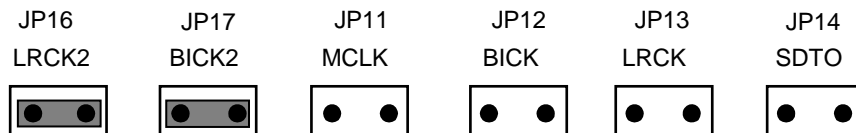


Figure 5. PLL Master Mode (PLL Reference Clock : BICK or LRCK pin)

PORT2 (DSP) is used. Nothing should be connected to PORT1 (DIR).
BICK, LRCK and SDATA are supplied from PORT2.

Set up the jumper pins.



(3) External Slave Mode

The AK4373's register should be set to EXT Slave Mode. MCKI frequency should be set to the same as the specification of DSP or DIR. About the AK4373's register definitions, refer to datasheet of the AK4373.

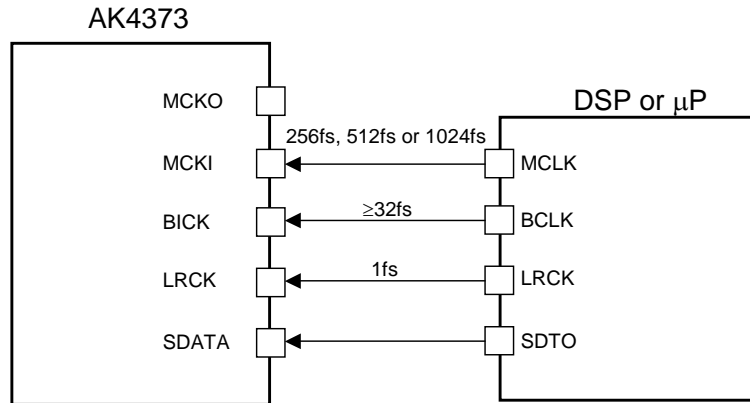
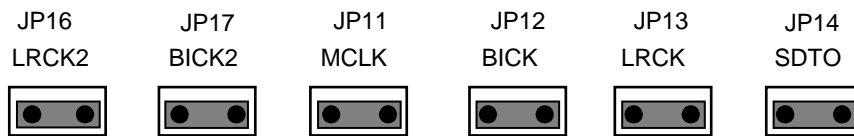


Figure 6. External Slave Mode

(3-1) Evaluation using DIR (Optical Link) of AK4116 <default>

PORT1 (DIR) is used. Nothing should be connected to PORT2 (DSP).

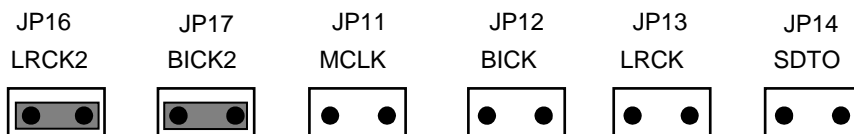
Set up the jumper pins.



(3-2) Evaluation connecting AKD4373 with external DSP

PORT2 (DSP) is used. Nothing should be connected to PORT1 (DIR).

Set up the jumper pins.



(4) External Master Mode

The AK4373's register should be set to EXT Master Mode. MCKI frequency should be set to the same as DSP's specification. About the AK4373's register definitions, refer to datasheet of the AK4373.

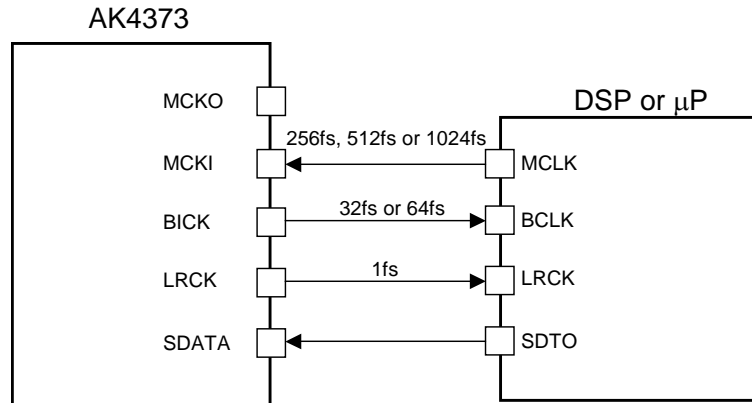
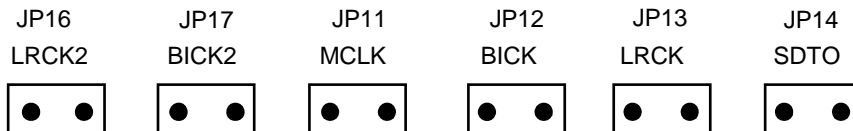


Figure 7. EXT Master Mode

PORT2 (DSP) is used. Nothing should be connected to PORT1 (DIR).

The system clock should be connected to MCLK of PORT2. SDTI of PORT2 should be connected to SDTO of DSP. The JP16 (LRCK2) and JP17 (BICK2)'s right side should be connected to LRCK and BICK of DSP.

Set up the jumper pins.



■ The function of the toggle SW

Upper-side is “H” and lower-side is “L”.

[SW1] (DAC/DIR_PDN): Power down of AK4373 and AK4116. Keep “H” during normal operation.

■ Indication for LED

[LED1] (ERF): Monitor INT0 pin of the AK4116. LED turns on when some error has occurred to AK4116.

■ **Serial Control**

The AK4373 can be controlled via the printer port (parallel port) of IBM-AT compatible PC. Connect PORT3 (uP -IF) with PC by 10 wire flat cable packed with the AKD4373.

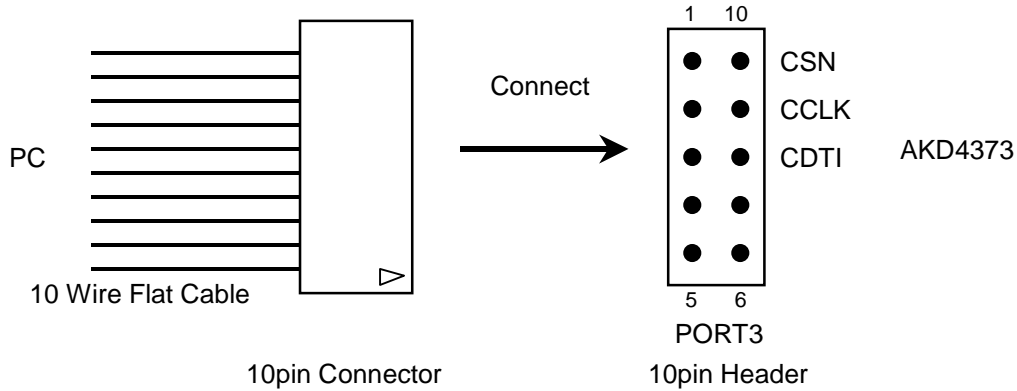
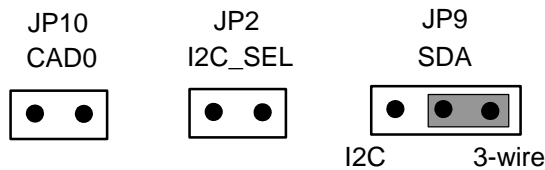


Figure 8. Connect of 10 wire flat cable

(1) 3-wire Serial Control Mode <Default>

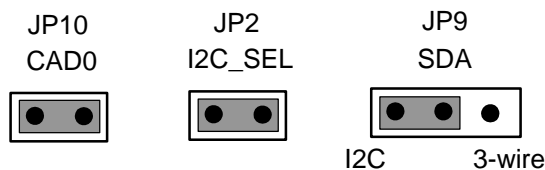
The jumper pins should be set to the followings.



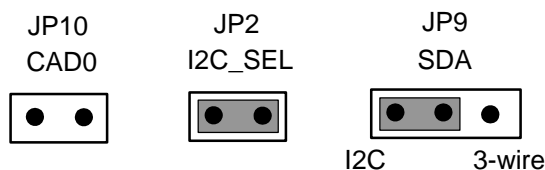
(2) I²C-bus Control Mode

The jumper pins should be set to the followings.

(2-1) In case of using CAD0=0 (device address bit).



(2-2) In case of using CAD0=1 (device address bit).



■ Input / Output circuit

(1) Input Circuit

MIN+/- Circuits

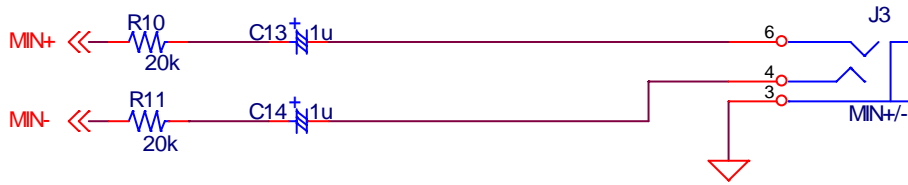


Figure 9. MIN+/- Input Circuits

(2) Output Circuit

1) LOUT/ROUT Output Circuit

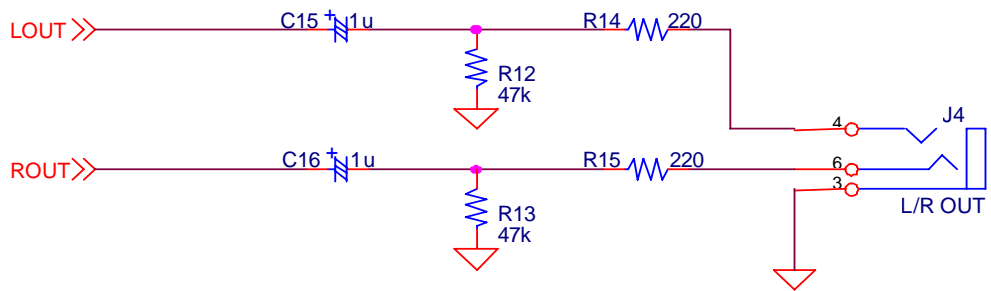


Figure 10. LOUT/ROUT Output Circuits

2) HP Output Circuits

a. Single-ended mode <default>

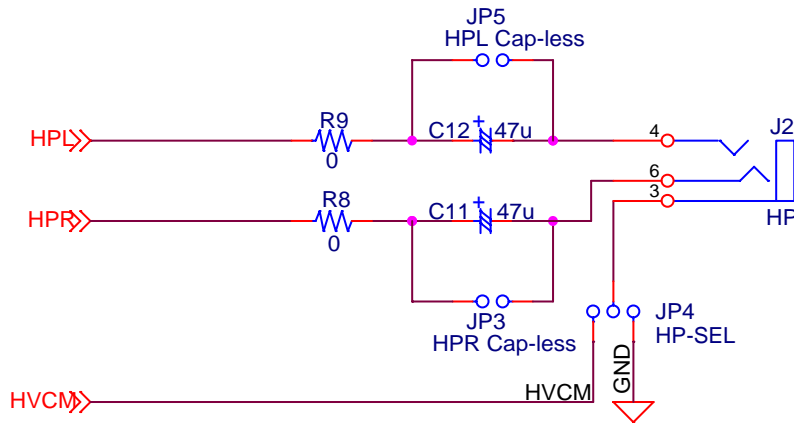
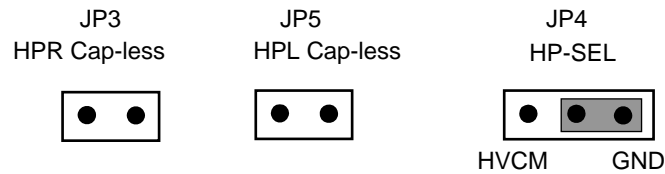


Figure 11. HP Output Circuit (Single-ended mode)

Set up the jumper pins.



b. Differential mode

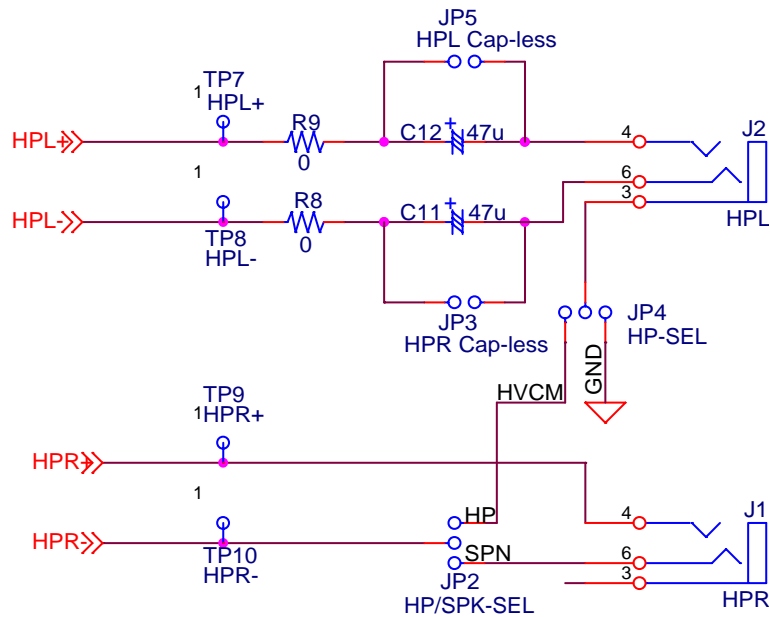
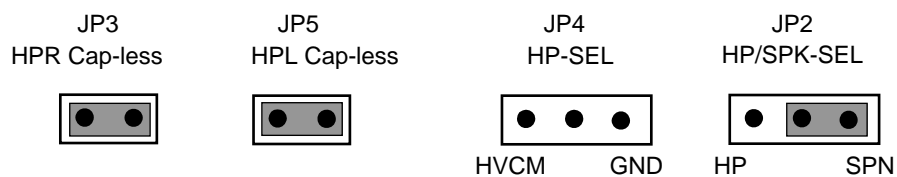


Figure 12. HP Output Circuit (Differential mode)

Set up the jumper pins.



c. Pseudo cap-less mode

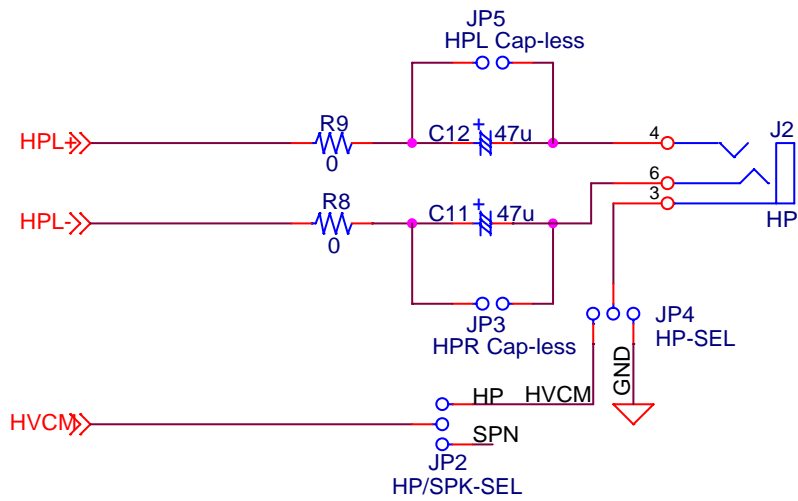


Figure 13. HP Output Circuit (Pseudo cap-less mode)

Set up the jumper pins.

JP3
HPR Cap-less



JP5
HPL Cap-less



JP4
HP-SEL



HVCM GND

JP2
HP/SPK-SEL



HP SPN

3) Speaker Output Circuit <default>

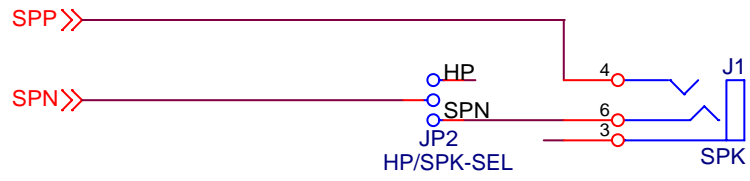
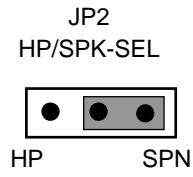


Figure 14. Speaker Output Circuit

Set up the jumper pins.



* AKEMD assumes no responsibility for the trouble when using the above circuit examples.

Control Software Manual

■ Set-up of evaluation board and control software

1. Set up the AKD4373 according to previous term.
2. Connect IBM-AT compatible PC with AKD4373 by 10-line type flat cable (packed with AKD4373). Take care of the direction of 10pin header. (Please install the driver in the CD-ROM when this control software is used on Windows 2000/XP. Please refer "Installation Manual of Control Software Driver by AKM device control software". In case of Windows95/98/ME, this installation is not needed. This control software does not operate on Windows NT.)
3. Insert the CD-ROM labeled "AK4373 Evaluation Kit" into the CD-ROM drive.
4. Access the CD-ROM drive and double-click the icon of "AKD4373.exe" to set up the control program.
5. Then please evaluate according to the follows.

■ Operation flow

Keep the following flow.

1. Set up the control program according to explanation above.
2. Click "Port Reset" button.
3. Click "Write default" button.

■ Explanation of each buttons

1. [Port Reset]: Set up the USB interface board (AKDUSBIF-A) when using the board.
2. [Write default]: Initialize the register of AK4373.
3. [All Write]: Write all registers that is currently displayed.
4. [Function1]: Dialog to write data by keyboard operation.
5. [Function2]: Dialog to write data by keyboard operation.
6. [Function3]: The sequence of register setting can be set and executed.
7. [Function4]: The sequence that is created on [Function3] can be assigned to buttons and executed.
8. [Function5]: The register setting that is created by [SAVE] function on main window can be assigned to buttons and executed.
9. [SAVE]: Save the current register setting.
10. [OPEN]: Write the saved values to all register.
11. [Write]: Dialog to write data by mouse operation.

■ Indication of data

Input data is indicated on the register map. Red letter indicates "H" or "1" and blue one indicates "L" or "0". Blank is the part that is not defined in the datasheet.

■ Explanation of each dialog

1. [Write Dialog]: Dialog to write data by mouse operation

There are dialogs corresponding to each register.

Click the [Write] button corresponding to each register to set up the dialog. If you check the check box, data becomes "H" or "1". If not, "L" or "0".

If you want to write the input data to AK4373 click [OK] button. If not, click [Cancel] button.

2. [Function1 Dialog]: Dialog to write data by keyboard operation

Address Box: Input registers address in 2 figures of hexadecimal.

Data Box: Input registers data in 2 figures of hexadecimal.

If you want to write the input data to AK4373 click [OK] button. If not, click [Cancel] button.

3. [Function2 Dialog]: Dialog to evaluate Digital Volume.

There are dialogs corresponding to register of 09h, 0Ah, 0Ch and 0Dh.

Address Box: Input registers address in 2 figures of hexadecimal.

Start Data Box: Input starts data in 2 figures of hexadecimal.

End Data Box: Input end data in 2 figures of hexadecimal.

Interval Box: Data is written to AK4373 by this interval.

Step Box: Data changes by this step.

Mode Select Box:

If you check this check box, data reaches end data, and returns to start data.

[Example] Start Data = 00, End Data = 09

Data flow: 00 01 02 03 04 05 06 07 08 09 09 08 07 06 05 04 03 02 01 00

If you do not check this check box, data reaches end data, but does not return to start data.

[Example] Start Data = 00, End Data = 09

Data flow: 00 01 02 03 04 05 06 07 08 09

If you want to write the input data to AK4373 click [OK] button. If not, click [Cancel] button.

4. [SAVE] and [OPEN]

4-1. [SAVE]

All of current register setting values displayed on the main window are saved to the file. The extension of file name is “akr”.

<Operation flow>

(1) Click [SAVE] Button.

(2) Set the file name and click [SAVE] Button. The extension of file name is “akr”.

4-2. [OPEN]

The register setting values saved by [SAVE] are written to the AK4373. The file type is the same as [SAVE].

<Operation flow>

(1) Click [OPEN] Button.

(2) Select the file (*.akr) and Click [OPEN] Button.

5. [Function3 Dialog]

The sequence of register setting can be set and executed.

(1) Click [F3] Button. The default setting sequence DAC->HP (3D=OFF) is displayed. Jump to (3) below if the default setting sequence is used. Go to (2) if the other setting sequence is required.

(2) Set the control sequence.

Set the address, Data and Interval time. Set “-1” to the address of the step where the sequence should be paused.

(3) Click [START] button. Then this sequence is executed.

The sequence is paused at the step of Interval = “-1”. Click [START] button, the sequence restarts from the paused step.

This sequence can be saved and opened by [SAVE] and [OPEN] button on the Function3 window. The extension of file name is “aks”.

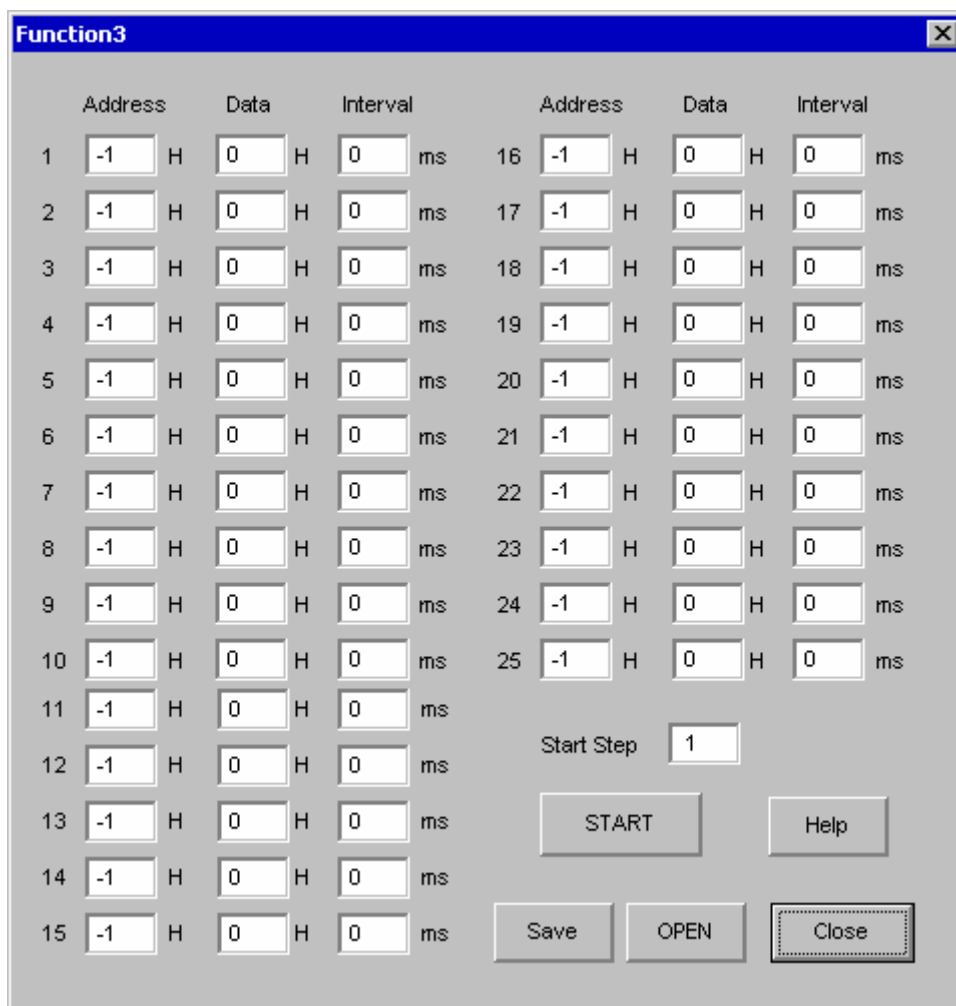


Figure 15. Window of [F3]

6. [Function4 Dialog]

The sequence file (*.aks) saved by [Function3] can be listed up to 10 files, assigned to buttons and then executed. When [F4] button is clicked, the window as shown in Figure 16 opens.

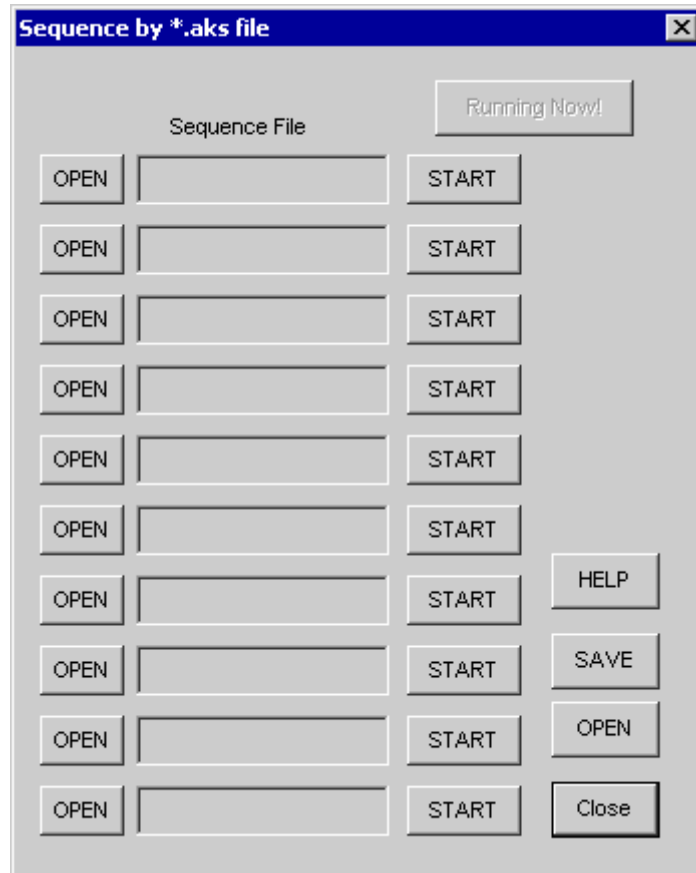


Figure 16. [F4] window

6-1. [OPEN] buttons on left side and [START] buttons

(1) Click [OPEN] button and select the sequence file (*.aks) saved by [Function3].

The sequence file name is displayed as shown in Figure 17. (In case that the selected sequence file name is “DAC_Stereo_ON.aks”)

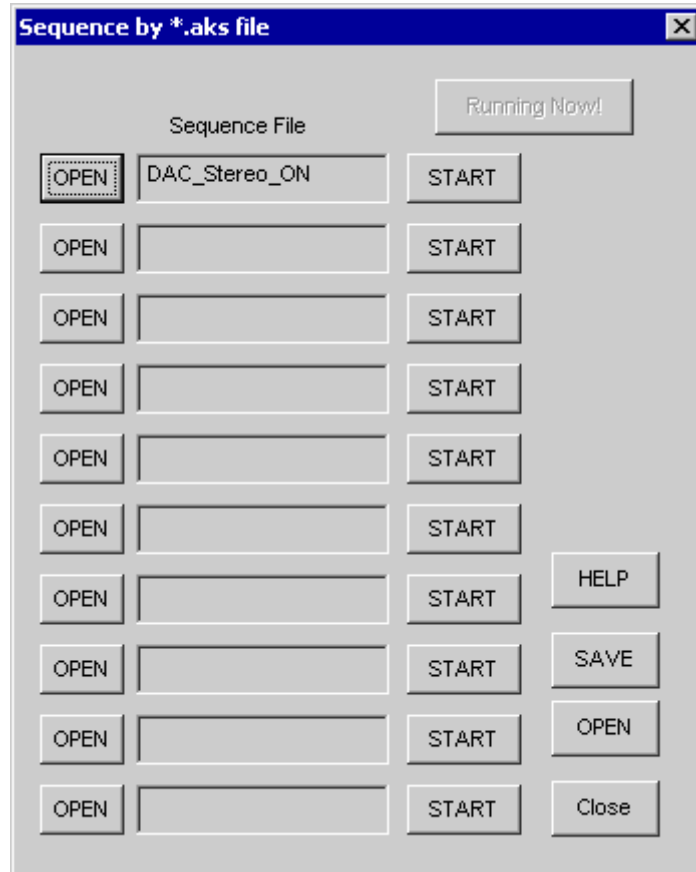


Figure 17. [F4] window (2)

(2) Click [START] button, then the sequence is executed.

6-2. [SAVE] and [OPEN] buttons on right side

[SAVE]: The name assign of sequence file displayed on [Function4] window can be saved to the file. The file name is “*.ak4”.

[OPEN]: The name assign of sequence file (*.ak4) saved by [SAVE] is loaded.

6-3. Note

- (1) This function doesn't support the pause function of sequence function.
- (2) All files used by [SAVE] and [OPEN] function on right side need to be in the same folder.
- (3) When the sequence is changed in [Function3], the sequence file (*.aks) should be loaded again in order to reflect the change.

7. [Function5 Dialog]

The register setting file (*.akr) saved by [SAVE] function on main window can be listed up to 10 files, assigned to buttons and then executed. When [F5] button is clicked, the window as shown in Figure 18 opens.

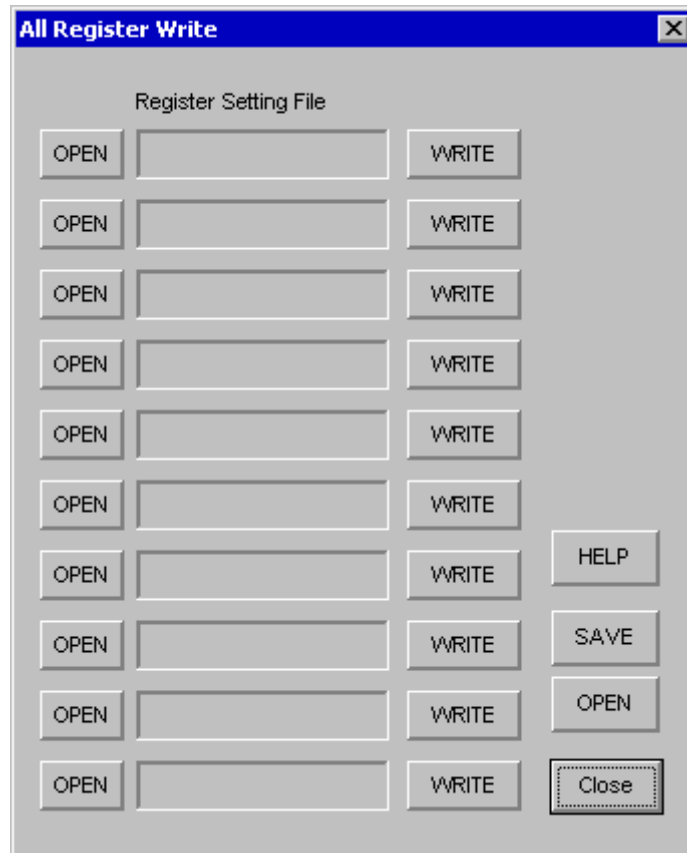


Figure 18. [F5] window

7-1. [OPEN] buttons on left side and [WRITE] button

- (1) Click [OPEN] button and select the register setting file (*.akr).

The register setting file name is displayed as shown in Figure 19. (In case that the selected file name is "DAC_Output.akr")

- (2) Click [WRITE] button, then the register setting is executed.

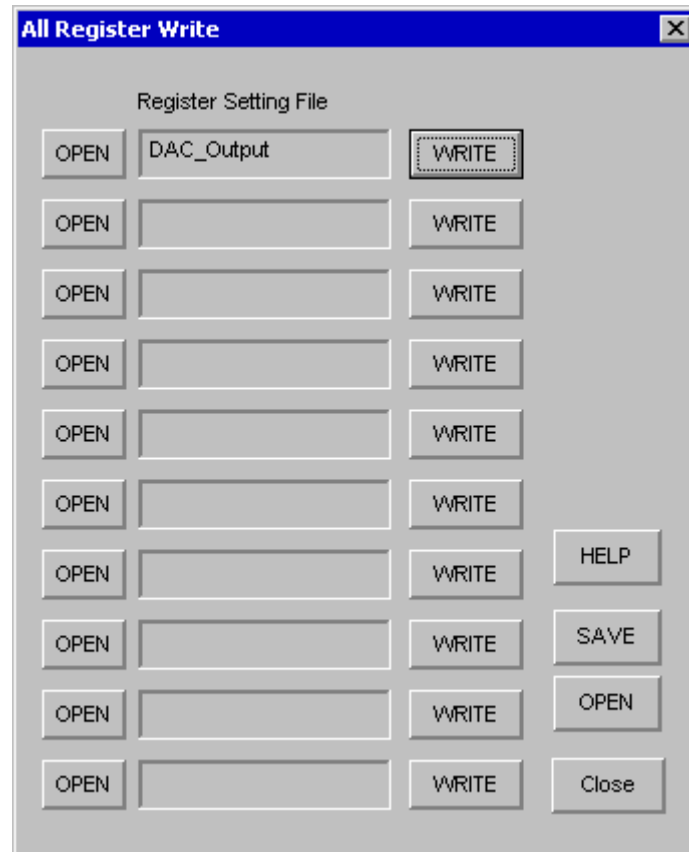


Figure 19. [F5] window (2)

7-2. [SAVE] and [OPEN] buttons on right side

[SAVE]: The name assign of register setting file displayed on [Function5] window can be saved to the file. The file name is “*.ak5”.

[OPEN]: The name assign of register setting file (*.ak5) saved by [SAVE] is loaded.

7-3. Note

- (1) All files used by [SAVE] and [OPEN] function on right side need to be in the same folder.
- (2) When the register setting is changed by [SAVE] Button on the main window, the register setting file (*.akr) should be loaded again in order to reflect the change.

8. [Filter Dialog]

This dialog can easily set the AK4373's programmable filter.

A calculation of a coefficient of Digital Programmable Filter such as HPF, EQ filter, a write to a register and check frequency response.

Window to show to Figure 20 opens when push a [Filter] button.

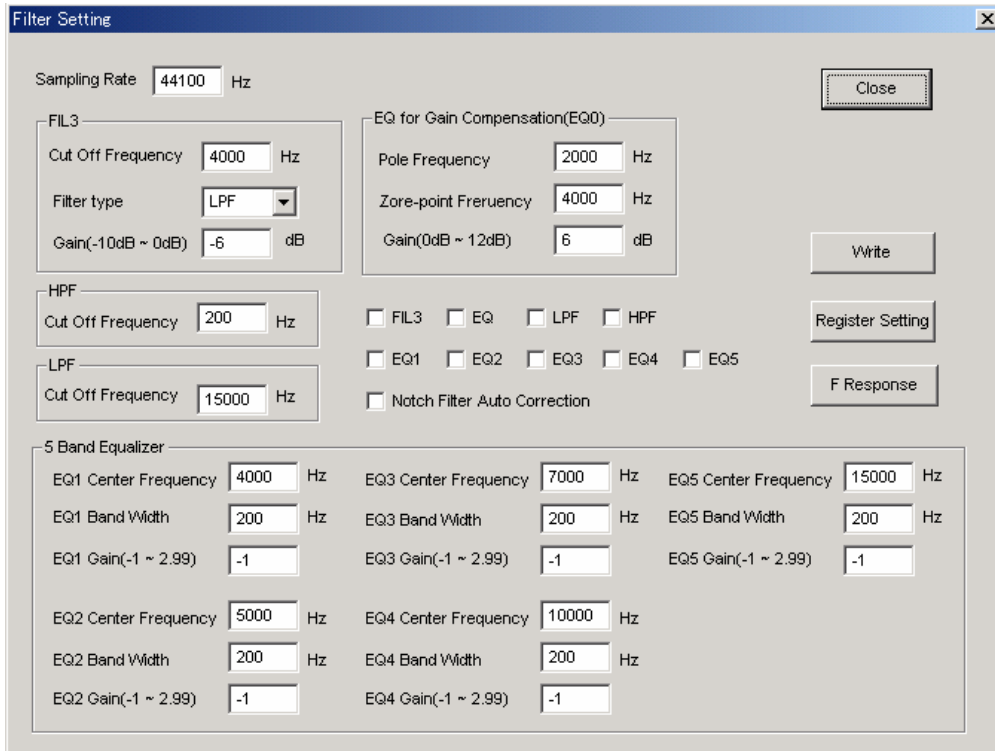


Figure 20. [Filter] window

8-1. Setting of a parameter

(1) Please set a parameter of each Filter.

Item	Contents	Setting range
Sampling Rate	Sampling frequency (fs)	$7350\text{Hz} \leq fs \leq 48000\text{Hz}$
FIL3		
Cut Off Frequency	Stereo separation emphasis filter cut off frequency	$fs/10000 \leq \text{Cut Off Frequency} \leq (0.497 * fs)$
Filter type	Type of stereo separation emphasis filter	LPF or HPF
Gain	Gain of stereo separation emphasis filter	$-10\text{dB} \leq \text{Gain} \leq 0\text{dB}$
HPF		
Cut Off Frequency	High pass filter cut off frequency	$fs/10000 \leq \text{Cut Off Frequency} \leq (0.497 * fs)$
LPF		
Cut Off Frequency	Low pass filter cut off frequency	$fs/20 \leq \text{Cut Off Frequency} \leq (0.497 * fs)$
EQ for Gain Compensation (EQ)		
Pole Frequency	Pole Frequency	$fs/10000 \leq \text{Pole Frequency} \leq (0.497 * fs)$
Zero-point Frequency	Zero-point Frequency	$fs/10000 \leq \text{Zero-point Frequency} \leq (0.497 * fs)$
Gain	Gain	$0\text{dB} \leq \text{Gain} \leq +12\text{dB}$
5 Band Equalizer		
EQ1-5 Center Frequency	EQ1-5 Center Frequency	$0\text{Hz} \leq \text{Center Frequency} < (0.497 * fs)$
EQ1-5 Band Width	EQ1-5 Band Width (Note 1)	$1\text{Hz} \leq \text{Band Width} < (0.497 * fs)$
EQ1-5 Gain	EQ1-5 Gain (Note 2)	$-1 \leq \text{Gain} < 3$

Note 1. Bandwidth where the gain gap is 3dB compared with center frequency.

Note 2. When a gain is smaller than “0”, EQ1-5 becomes a notch filter.

(2) Please set ON/OFF of Filter with check buttons of “FIL3”, “EQ”, “LPF”, “HPF”, “EQ1”, “EQ2”, “EQ3”, “EQ4”, “EQ5”. When the button is checked, Filter becomes ON. When “Notch Filter Auto Correction” is checked, automatic compensation is executed for center frequency of notch filter. (“Cf. 8-4. automatic compensation for center frequency of a notch filter”)

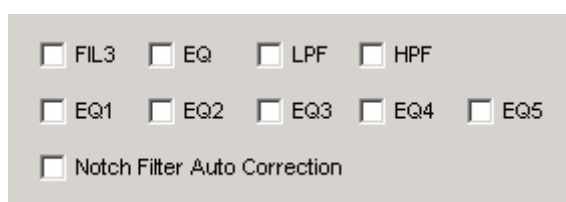


Figure 21. Filter ON/OFF setting button

8-2. A calculation of a register

A register setting values are displayed when [Register Setting] button is clicked. When any value is set to out of range, error message is displayed, and a calculation of register setting is not executed.

Register Setting			
FIL3	EQ	HPF	LPF
12H F3A7-0 bits: 0xa2	16H E0A7-0 bits: 0x5b	1CH F1A7-0 bits: 0x8d	2CH F2A7-0 bits: 0xa8
13H F3AS: 0x83	17H E0A15-8 bits: 0x23	1D F1A13-8 bits: 0x1f	2DH F2A13-8: 0x14
F3A13-8 bits: 0x80	18H E0B7-0 bits: 0x07	1EH F1B7-0 bits: 0xe6	2EH F2B7-0 bits: 0x50
14H F3B7-0 bits: 0x80	19H E0B13-8 bits: 0x28	1FH F1B13-8 bits: 0x20	2FH F2B13-8 bits: 0x09
15H F3B13-8 bits: 0x2e	1AH E0C7-0 bits: 0xaa		
	1BH E0C15-8 bits: 0xec		

5 Band EQ Register Setting				
EQ1	EQ2	EQ3	EQ4	EQ5
32H E1A7-0 bits: 0x8d	38H E2A7-0 bits: 0x8d	3EH E3A7-0 bits: 0x8d	44H E4A7-0 bits: 0x8d	4AH E5A7-0 bits: 0x8d
33H E1A15-8 bits: 0xff	39H E2A15-8 bits: 0xff	3FH E3A15-8 bits: 0xff	45H E4A15-8 bits: 0xff	4BH E5A15-8 bits: 0xff
34H E1B7-0 bits: 0x21	3AH E2B7-0 bits: 0xc1	40H E3B7-0 bits: 0x3c	46H E4B7-0 bits: 0x2f	4CH E5B7-0 bits: 0x25
35H E1B13-8 bits: 0x35	3BH E2B13-8 bits: 0x2f	41H E3B13-8 bits: 0x22	47H E4B13-8 bits: 0x09	4DH E5B13-8 bits: 0xde
36H E1C7-0 bits: 0xe6	3CH E2C7-0 bits: 0xe6	42H E3C7-0 bits: 0xe6	48H E4C7-0 bits: 0xe6	4EH E5C7-0 bits: 0xe6
37H E1C15-8 bits: 0xe0	3DH E2C15-8 bits: 0xe0	43H E3C15-8 bits: 0xe0	49H E4C15-8 bits: 0xe0	4FH E5C15-8 bits: 0xe0

Figure 22. A register setting calculation result

In the following cases, a register set values are updated.

- (1) When [Register Setting] button was pushed.
- (2) When [Frequency Response] button was pushed.
- (3) When [UpDate] button was pushed on a frequency characteristic indication window.
- (4) When set ON/OFF of a check button "Notch Filter Auto Correction".

8-3. Indication of a frequency characteristic

A frequency characteristic is displayed when [Frequency Response] button is clicked. The register values are updated at the same time.

If “Frequency Range” is changed, and [UpDate] button is clicked, indication of a frequency characteristic is updated.

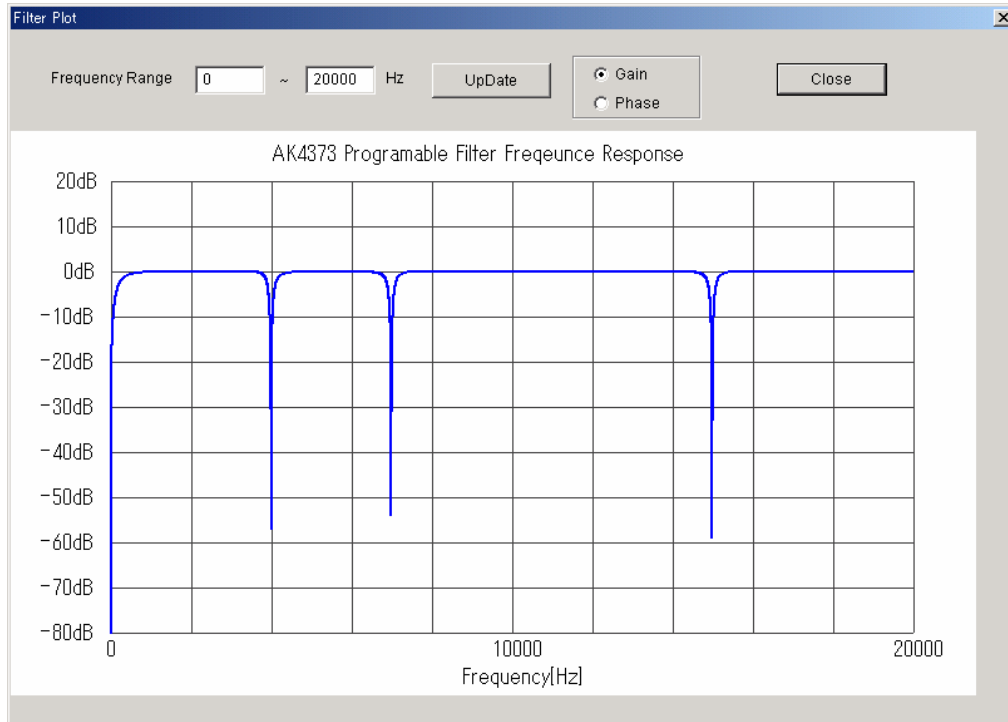


Figure 23. A frequency characteristic indication result

In the following cases, a register set values are updated.

- (1) When [Register Setting] button was pushed.
- (2) When [Frequency Response] button was pushed.
- (3) When [UpDate] button was pushed on a frequency characteristic indication window.
- (4) When set ON/OFF of a check button “Notch Filter Auto Correction”.

8-4. Automatic compensation for center frequency of a notch filter

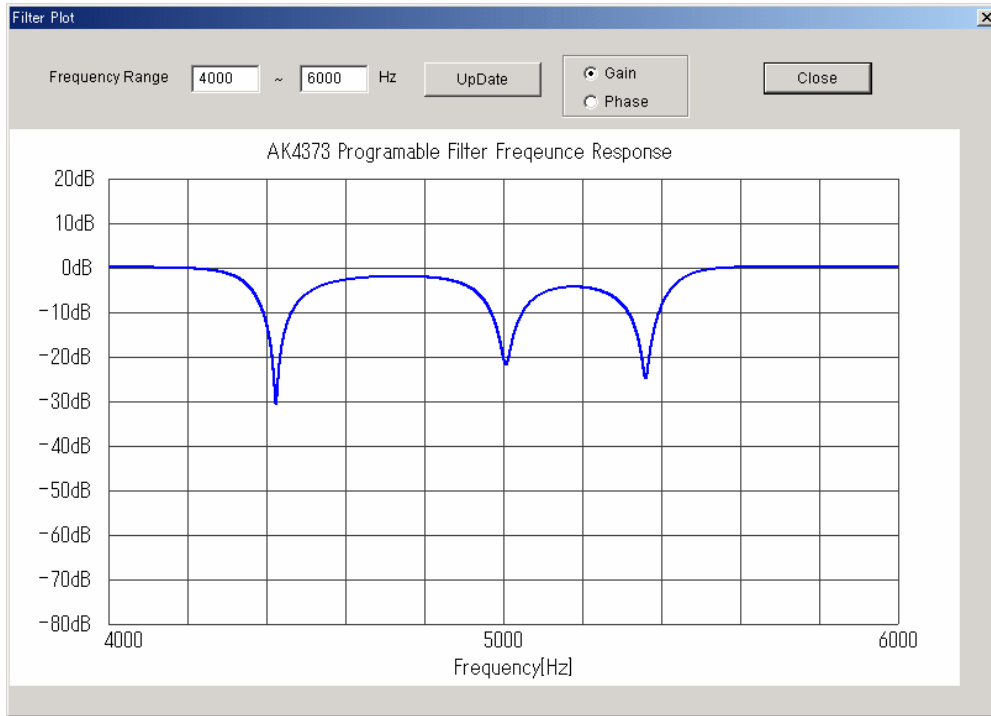
When a gain of 5 band Equalizer is set to “-1”, Equalizer becomes a notch filter. When center frequency of several notch filters are near frequency each other, center frequency error occurs (Figure 24).

When “Notch Filter Auto Correction” button is checked, automatic compensation is executed for center frequency of a notch filter.

Register setting and frequency characteristics are displayed after automatic compensation (Figure 25).

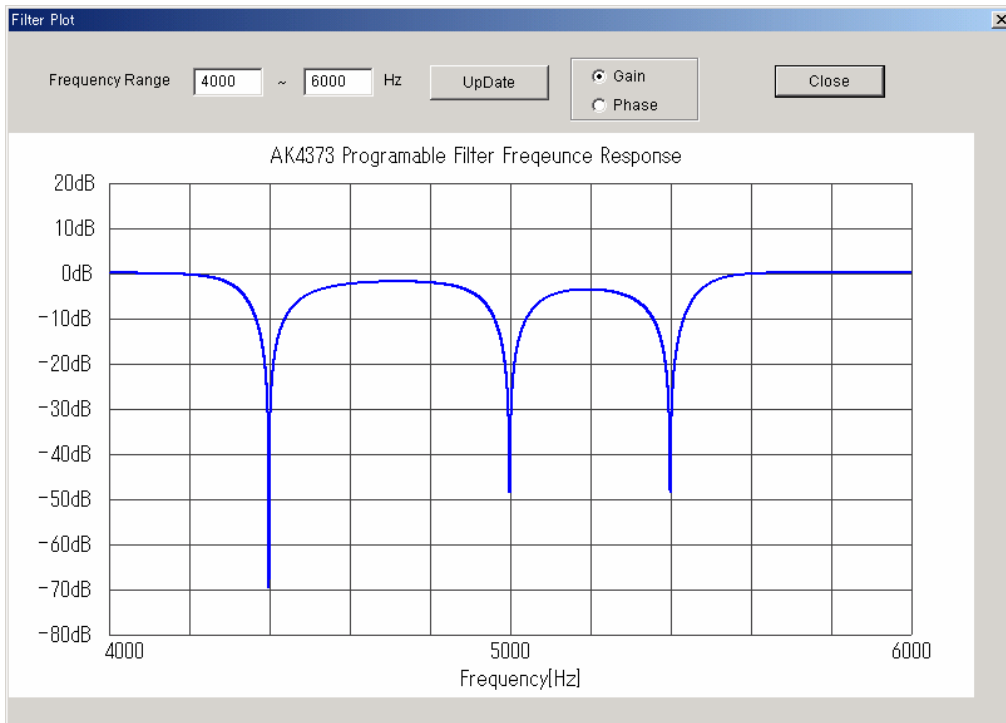
This automatic compensation is available for Equalizer Band where a gain is set to “-1”.

(Note) When distance among center frequencies is smaller than band width, there is a possibility that automatic compensation does not operate normally. Please confirm a compensation result by indication of a frequency characteristic.



Setting of center frequency: 4400Hz, 5000Hz, 5400Hz / Band Width: 200Hz (3 band common)

Figure 24. When there is no compensation of center frequency



Setting of center frequency: 4400Hz, 5000Hz, 5400Hz / Band Width: 200Hz (3 band common)

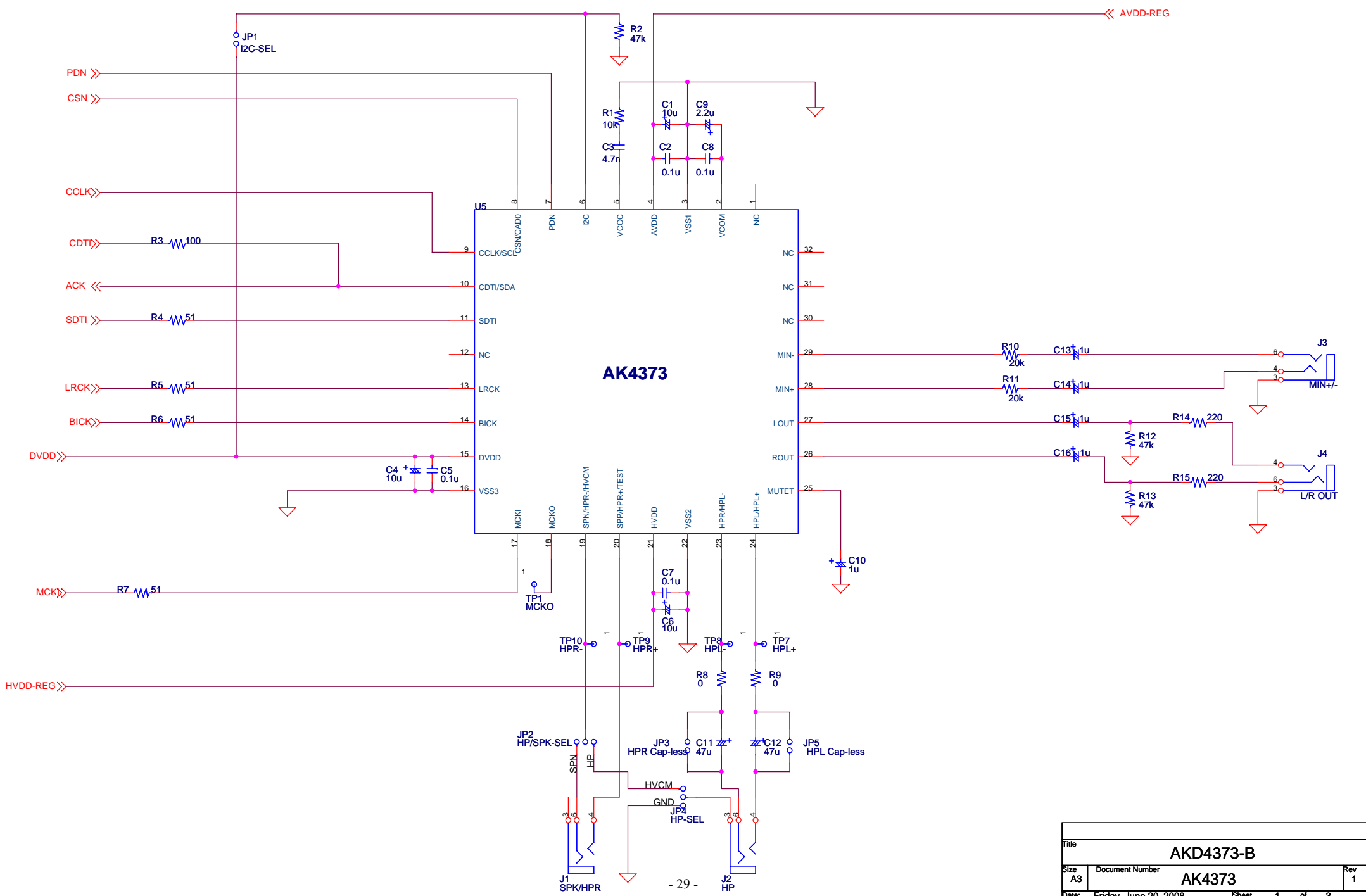
Figure 25. When there is compensation of center frequency

REVISION HISTORY

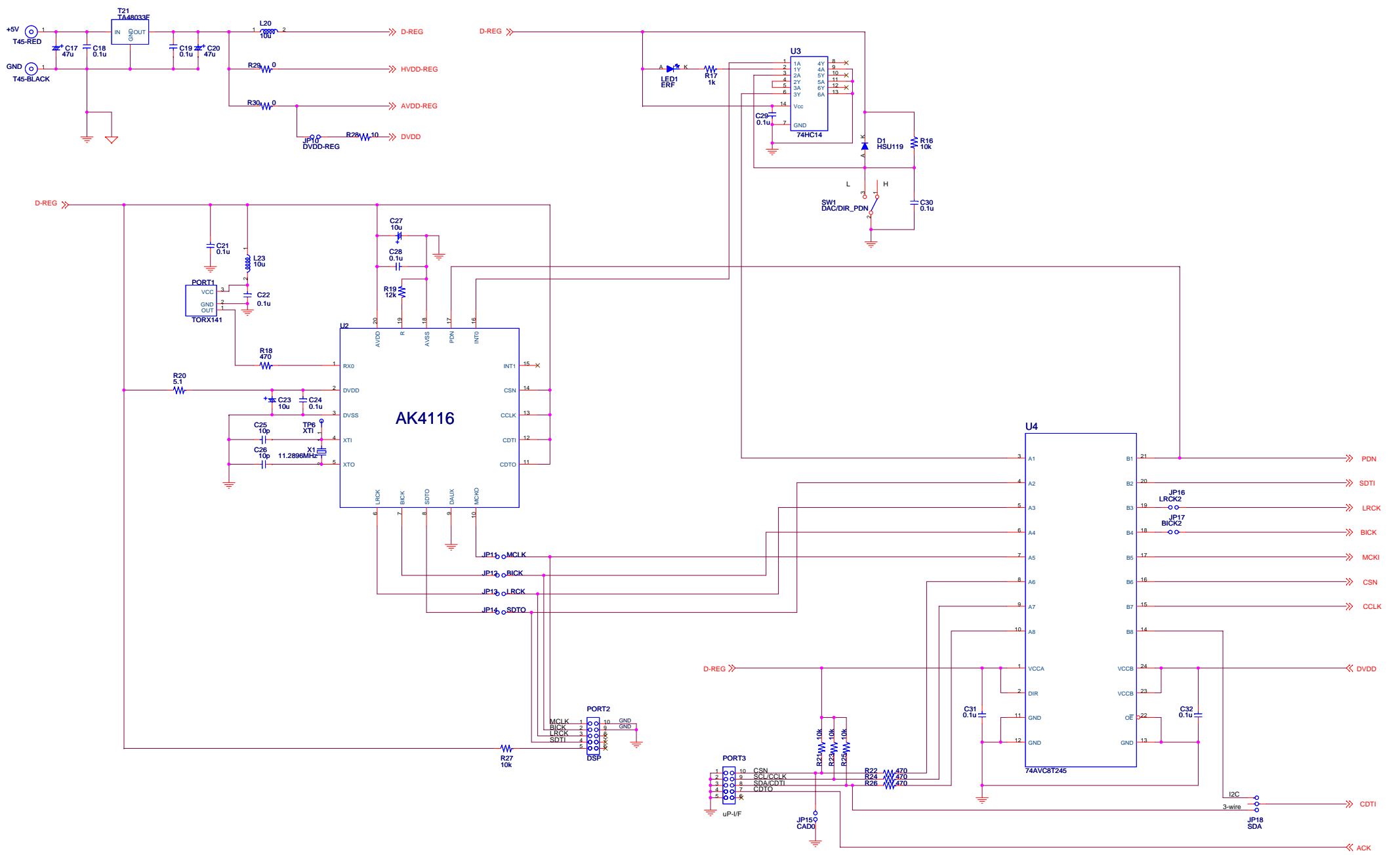
Date (yy/mm/dd)	Manual Revision	Board Revision	Reason	Page	Contents
08/01/18	KM091600	0	First Edition		
08/06/20	KM091601	1	Parts Change	1	Board Revision: Rev.0 → Rev.1 AK4373: Rev. A → Rev. B
08/06/25			Error Correction	11	Figure 9 was changed. R10, R11: 0Ω → 20kΩ
08/07/01	KM091602		Error Correction	2	PORT2 and PORT3 were exchanged.

IMPORTANT NOTICE

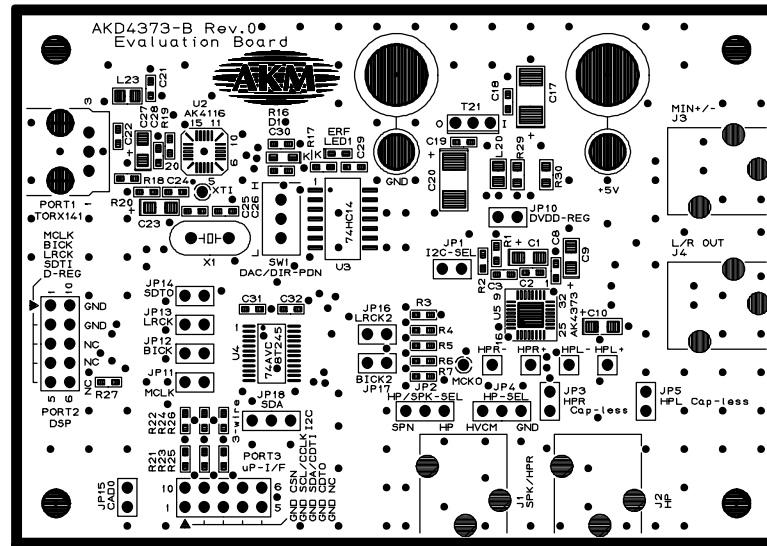
- These products and their specifications are subject to change without notice.
When you consider any use or application of these products, please make inquiries the sales office of Asahi Kasei EMD Corporation (AKEMD) or authorized distributors as to current status of the products.
- AKEMD assumes no liability for infringement of any patent, intellectual property, or other rights in the application or use of any information contained herein.
- Any export of these products, or devices or systems containing them, may require an export license or other official approval under the law and regulations of the country of export pertaining to customs and tariffs, currency exchange, or strategic materials.
- AKEMD products are neither intended nor authorized for use as critical components^{Note1)} in any safety, life support, or other hazard related device or system^{Note2)}, and AKEMD assumes no responsibility for such use, except for the use approved with the express written consent by Representative Director of AKEMD. As used here:
 - Note1) A critical component is one whose failure to function or perform may reasonably be expected to result, whether directly or indirectly, in the loss of the safety or effectiveness of the device or system containing it, and which must therefore meet very high standards of performance and reliability.
 - Note2) A hazard related device or system is one designed or intended for life support or maintenance of safety or for applications in medicine, aerospace, nuclear energy, or other fields, in which its failure to function or perform may reasonably be expected to result in loss of life or in significant injury or damage to person or property.
- It is the responsibility of the buyer or distributor of AKEMD products, who distributes, disposes of, or otherwise places the product with a third party, to notify such third party in advance of the above content and conditions, and the buyer or distributor agrees to assume any and all responsibility and liability for and hold AKEMD harmless from any and all claims arising from the use of said product in the absence of such notification.



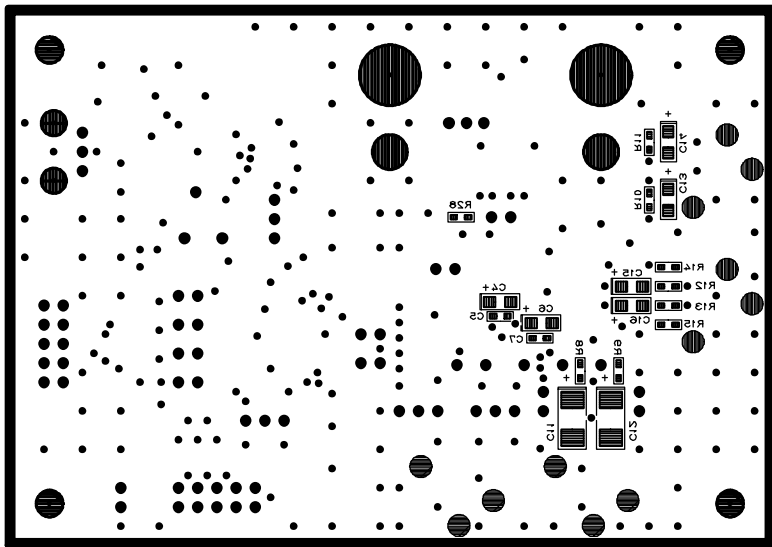
Title			AKD4373-B		
Size	Document Number				Rev
A3	AK4373				1
Date:	Friday, June 20, 2008	Sheet	1	of	3



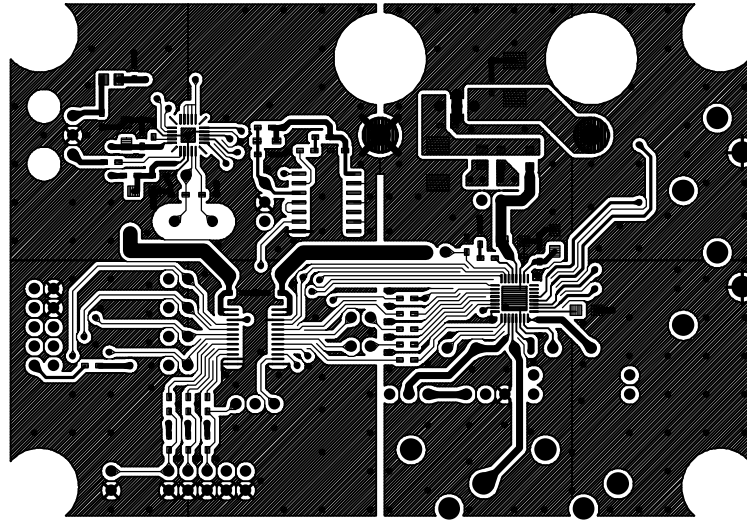
File	AKD4373-B		
Size	Document Number	CLOCK	Rev 1
Date	Friday, November 30, 2007	Sheet	3 of 3



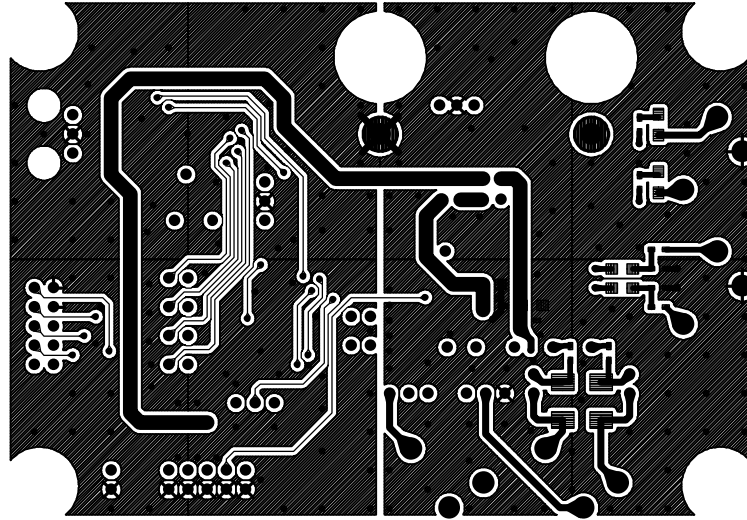
AKD4373-B MAIN L1 SILK



KD323-B MAIN LS SILK



AKD4373-B MAIN L1



AKD43A-B MAIN LS