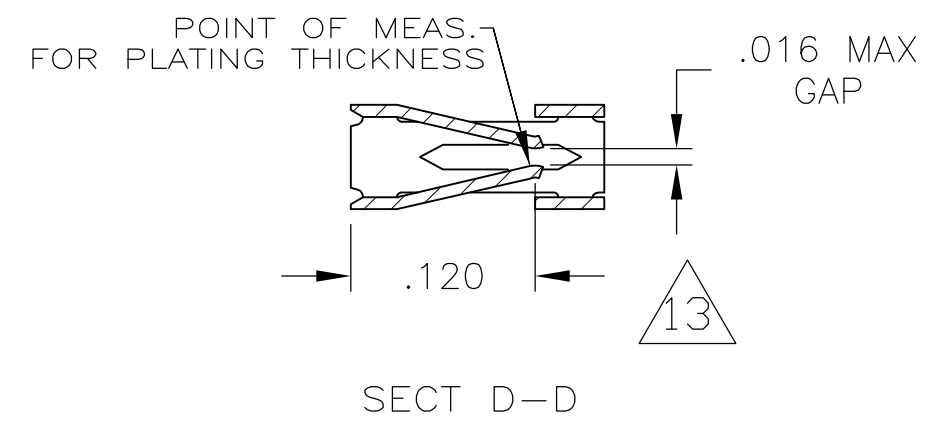
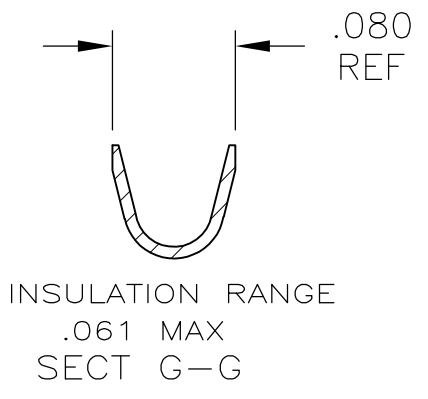
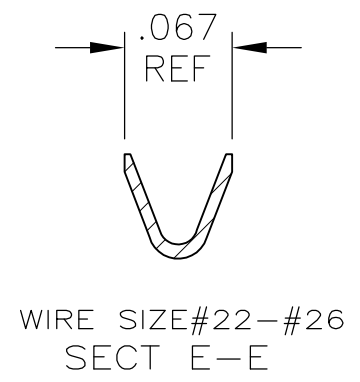
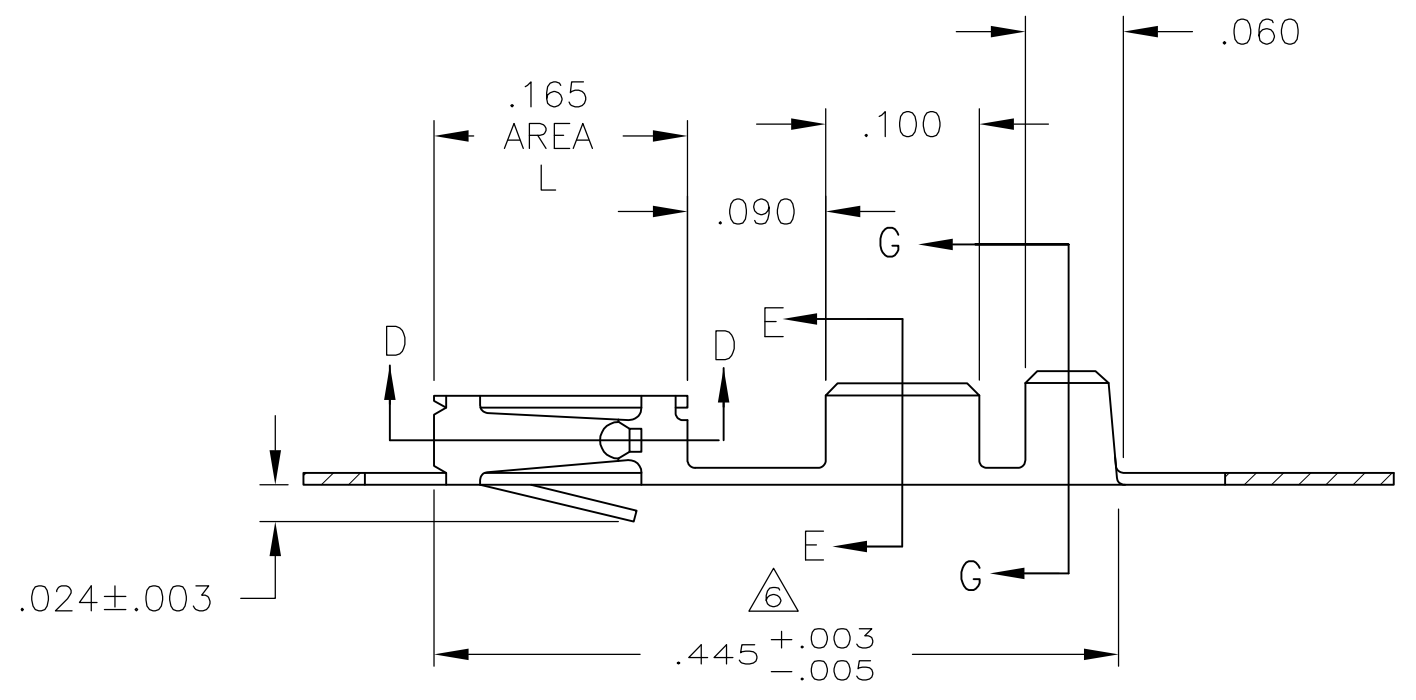
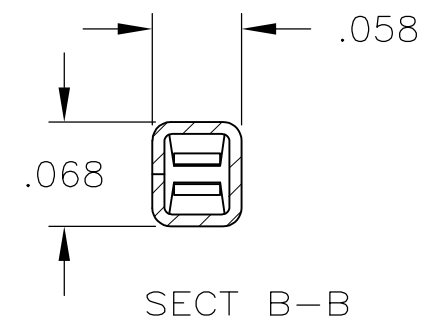
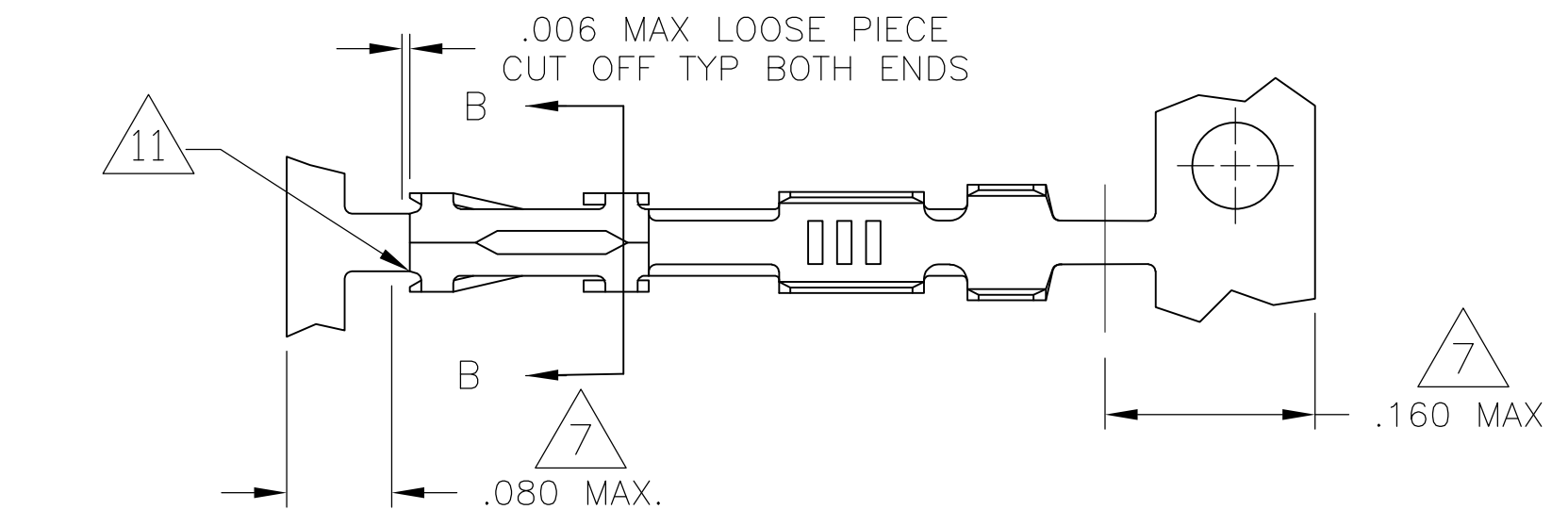


THIS DRAWING IS UNPUBLISHED. RELEASED FOR PUBLICATION
 © COPYRIGHT - By - ALL RIGHTS RESERVED.

LOC		DIST		REVISIONS			
P	LTR	DESCRIPTION		DATE	DWN	APVD	
AD	00	P2		REVISED PER ECO-11-004587	11MAR11	RK HMR	



- 1 REELED FOR MINI APPLICATOR
- 2 .000030 GOLD OVER .000050 NICKEL
- 3 GOLD FLASH OVER NICKEL,.000030 GOLD ON CONTACT AREA
- 4 PREPLATED:(HALT).000078-.000158 BRIGHT TIN
- 5 .000050 GOLD OVER .000050 NICKEL
- 6 GOLD FLASH OVER NICKEL,.000015 GOLD ON CONTACT AREA
- 7 GOLD PLATING NOT REQUIRED IN THIS AREA
- 8 .000050 GOLD ON CONTACT AREA,GOLD FLASH AREA L OVER.000050/.000100 NICKEL ENTIRE CONTACT
- 9 SHEARED EDGES MAY BE UNPLATED
- 10 REELED FOR STANDARD APPLICATOR
- 11 CUT OUTS ON BOX AT MANUFACTURER'S OPTION
- 12 OBSOLETE PART NUMBER
- 13 PT.OF MEAS.FOR PLATING THICKNESS(INSIDE BEAMS)
- 14 .000015 GOLD IN THE CONTACT AREA, .000050 NICKEL OVER THE ENTIRE TERMINAL
- 15 OBSOLETE PARTS: OBSOLETE CIS STREAMLINING PER D.RENAUD/D.SINISI

			12 -7	9 14	1-87666-9
9 15 OBSOLETE	1-	12 -7	87667-6	8 7	1-87666-6
	1-	12 -1	87667-5	6 7	87666-5
	1-	12 -0	87667-4	5 7	87666-4
		12 -9	87667-3	4	87666-3
		12 -8	87667-2	3 7	87666-2
		12 -7	87667-1	2 7	87666-1
	PART NO.	LOOSE PIECE PART NO.	FINISH	1	PART NO.

THIS DRAWING IS A CONTROLLED DOCUMENT. DWN E.C.CLAYBAUGH 8/03/98

TE Connectivity

CONTACT, FEMALE
MOD IV, CRIMP SNAP-IN

SIZE A2 CAGE CODE 00779 DRAWING NO C=87666 RESTRICTED TO -

MATERIAL BERYLLIUM COPPER .008 THK. COML. FINISH SEE TABLE WEIGHT - SCALE 8:1 SHEET 1 of 1 REV P2