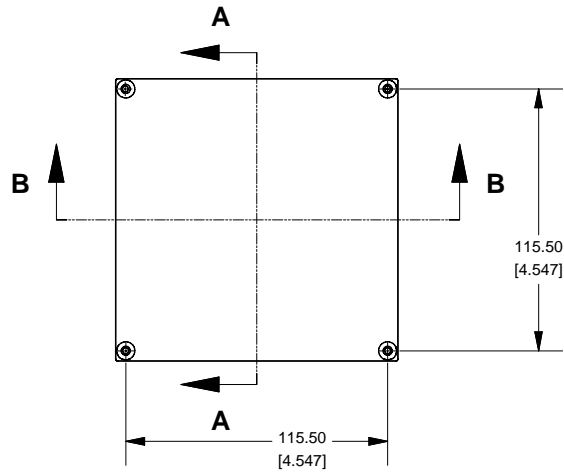
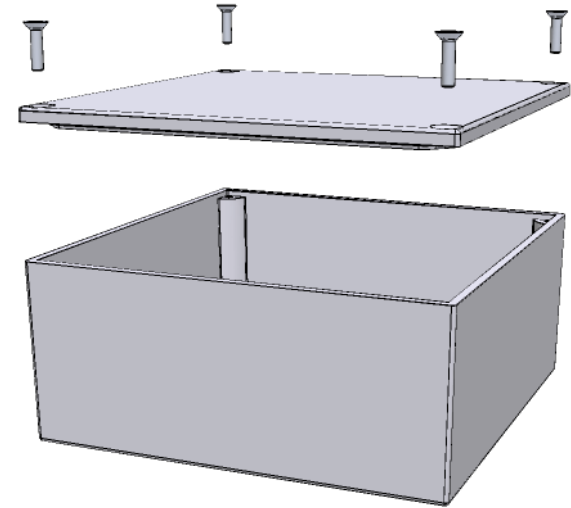
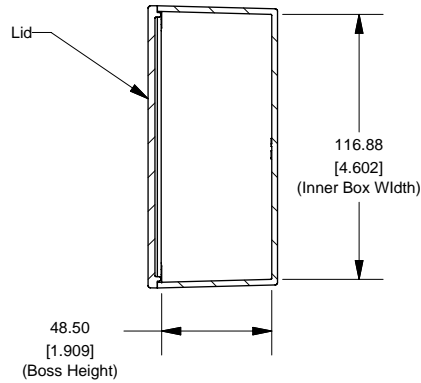


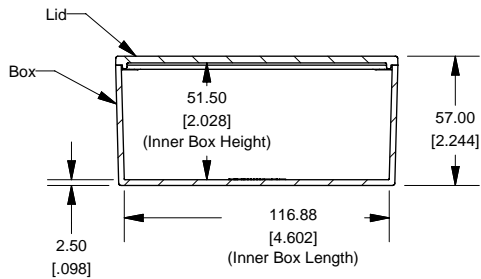
### Top View of Assembly



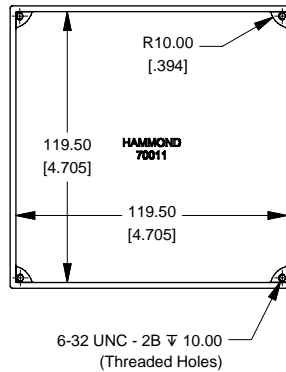
### SECTION A-A End View of Assembly



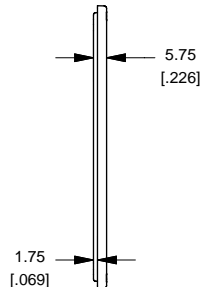
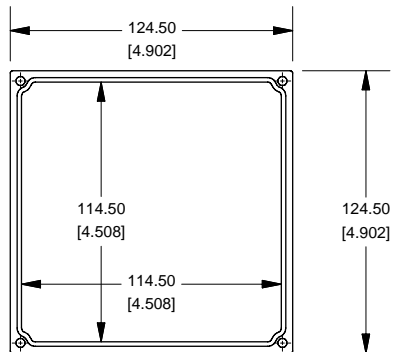
### SECTION B-B Side View of Assembly



### Top View Looking Inside Box



### Lid



Enclosures can be Factory Modified ( Milling, Drilling, Printing etc. )  
 Solid models of this enclosure available in STEP or IGES.  
 Contact Factory jelkins@hammond-electronics.co.uk

NOTE	
Purchased assembly includes Deep Lid, Base Plate and 4 cover screws.	
Eddystone 70011	
PART INFORMATION	
Part Number:	70011
Material:	Diecast Aluminum Alloy (Type LM24)
Cover Screw Type:	M3.5 x 12 taptite screws (Screws accept POZDRIV No. 2 screwdriver)

**HAMMOND  
MANUFACTURING™**

70011

www.hammondmfg.com