

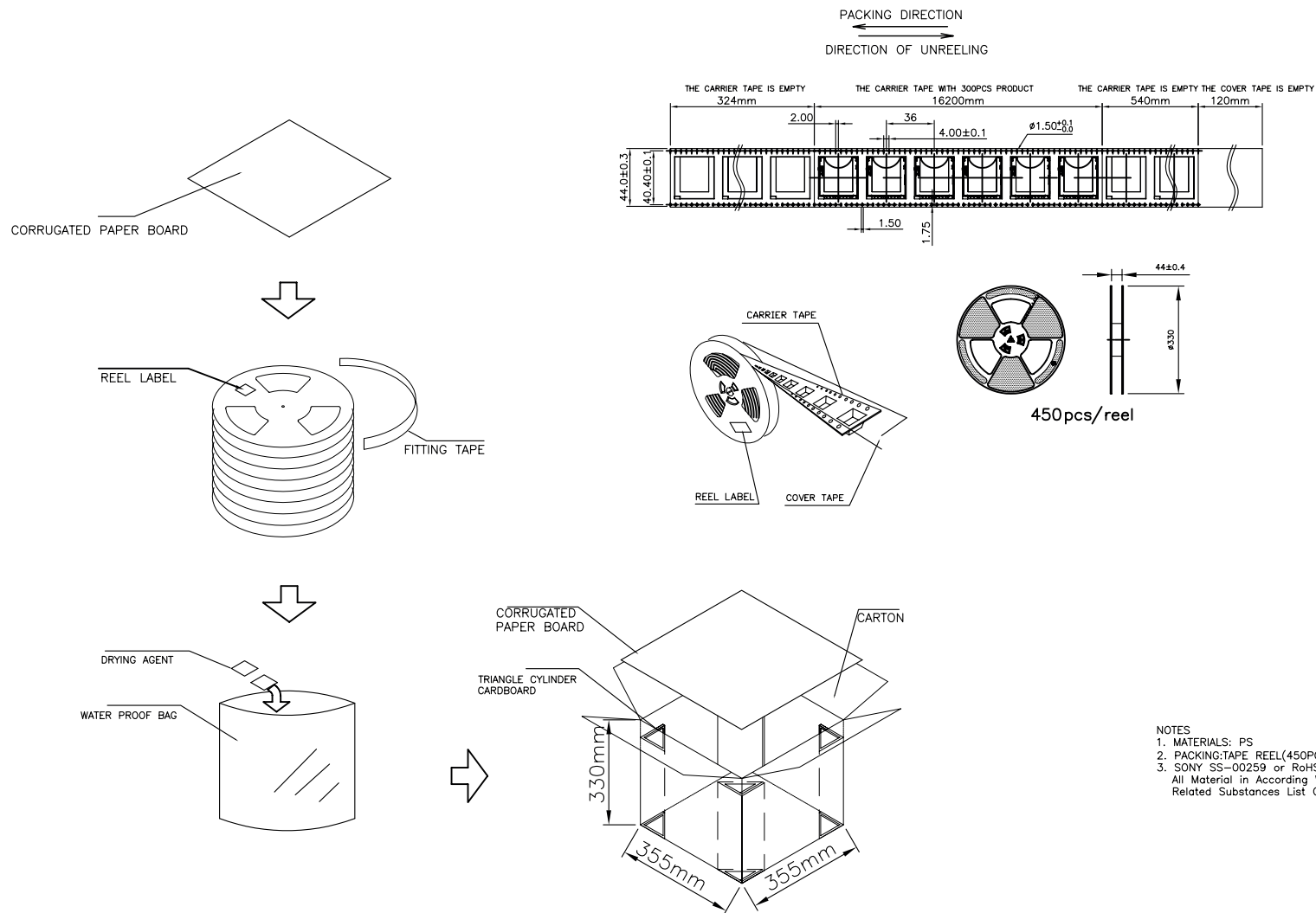
1

2

3

4

5



A

B

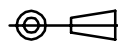
C

NOTES

1. MATERIALS: PS
 2. PACKING: TAPE REEL(450PCS/REEL, 3150PCS/CARTON)
 3. SONY SS-00259 or RoHS
- All Material in According With The RoHS Environment Related Substances List Controlled.

RoHS Compliant

PROJECTION:



GENERAL TOLERANCE

.X = \pm 0.2.XX = \pm 0.15

APPROVAL: RJ

UNIT: MM

SCALE:

SHEET: 3/3

DRAW: VICKY

DESCRIPTION: SD Card Connector - Push & Push - With Card Detection
9 pins

WERI PART NO: 693 061 010 911

SIZE

A4

REV

DATE

FILE

BY

D