

MICRO SWITCH

FREEPORT ILLINOIS U S A
A DIVISION OF HONEYWELL
FED. MFG CODE 91929

SWITCH - TOGGLE

CATALOG LISTING
1TL133 SERIES

CHART 1

CATALOG LISTING

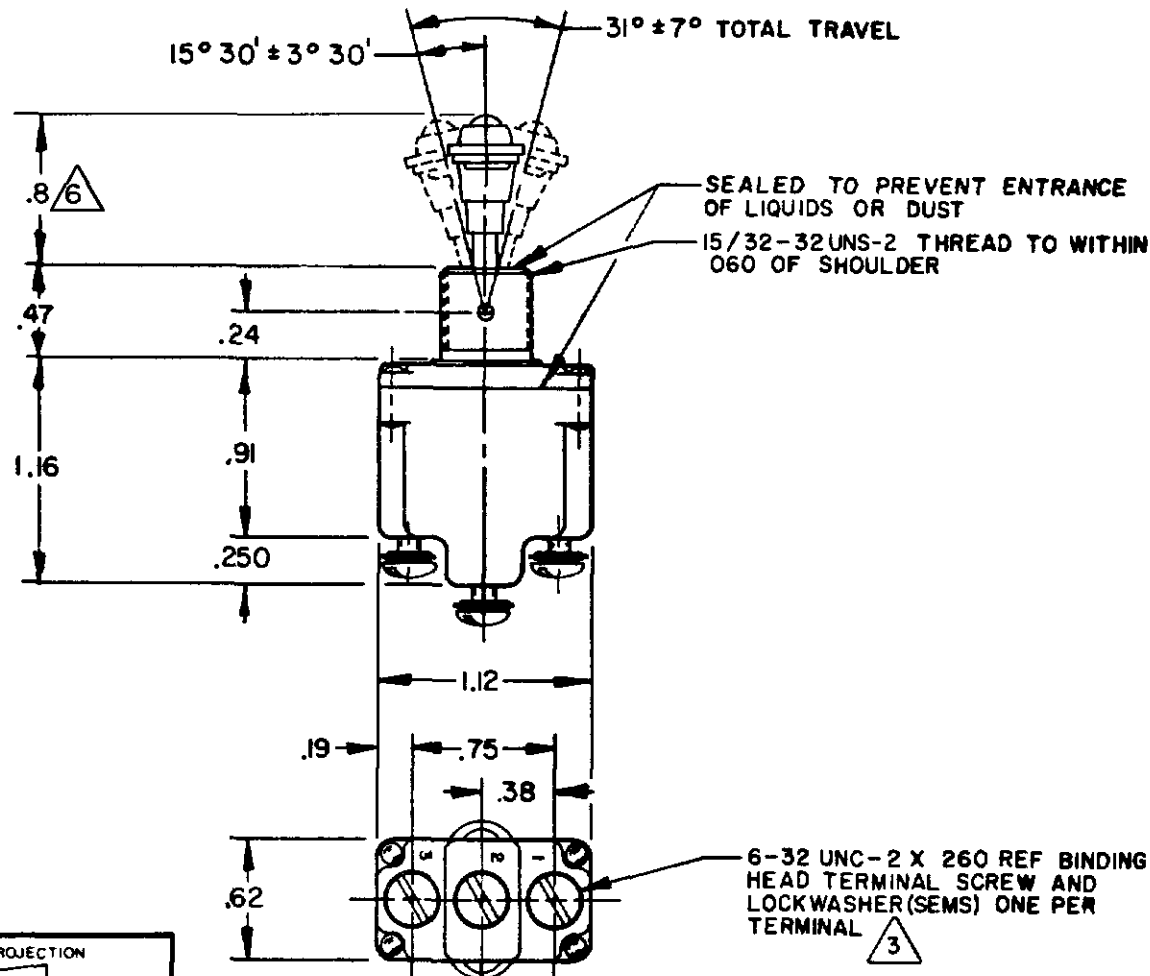
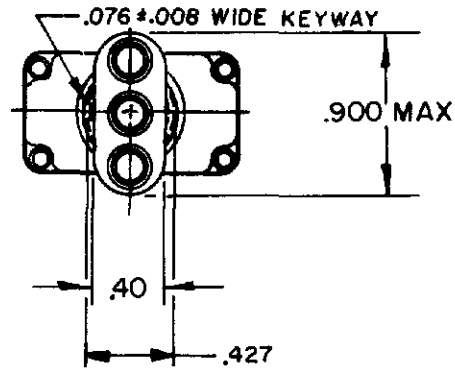
CIRCUIT MADE WITH TOGGLE LEVER IN

KEYWAY SIDE (1-2)	CENTER (1-2)	OPPOSITE KEYWAY (2-3)
ON	OFF	ON
OFF	NONE	ON
ON	NONE	ON
NONE	OFF	ON
NONE	ON	ON
MOM OFF	NONE	ON
MOM ON	OFF	ON
MOM ON	NONE	OFF
MOM ON	OFF	MOM ON
MOM ON	NONE	ON
NONE	ON	MOM ON
MOM ON	OFF	NONE

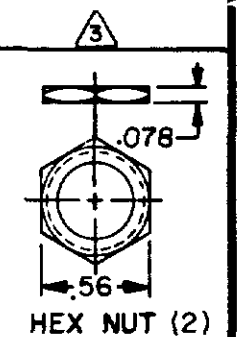
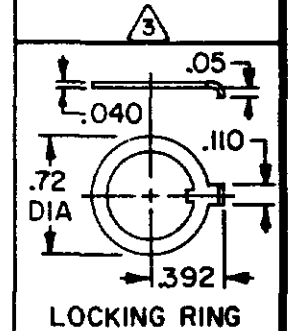
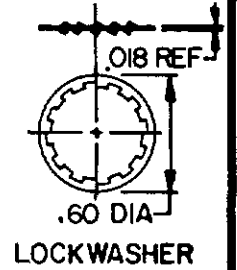
MILITARY RATING (AMPS)

RESISTIVE LOAD					LAMP LOAD		INDUCTIVE LOAD	
DC VOLTS		AC VOLTS			28 VDC	125 VAC	28 VDC	125 VAC
28	125	250	125	250				
20	.75	.5	15	6	5	3	15	10
(REFER TO L191 FOR UL RATING)								
15	.75	.5	15	6	4	2	10	7
(REFER TO L192 FOR UL RATING)								

THIS DRAWING COVERS A PROPRIETARY ITEM AND IS THE PROPERTY OF MICRO SWITCH, A DIVISION OF HONEYWELL. THIS DRAWING IS NOT TO BE COPIED OR USED WITHOUT THE APPROVAL OF MICRO SWITCH.



6-32 UNC-2 X 260 REF BINDING HEAD TERMINAL SCREW AND LOCKWASHER (SEMS) ONE PER TERMINAL



NOTES

- SWITCHES ARE CAPABLE OF WITHSTANDING A TEMPERATURE OF 160°F CONTINUOUSLY AT FULL RATED LOAD
- CIRCUIT DESIGNATION AND MICRO SWITCH CATALOG LISTING MARKED ON SIDE OF SWITCH
- FURNISHED UNASSEMBLED
- FOR TERMINAL COVER, SEE MICRO SWITCH CATALOG LISTING 5PA7
- APPLIES ONLY TO "ON" AND "MOMENTARY ON" POSITIONS
- ULTRAVIOLET LIGHT SENSITIVE BLUE/GREEN FLUORESCENT CAP IS ATTACHED TO LEVER BY A LOCKING TYPE INTERNAL THREAD. FURNISHED UNASSEMBLED

CATALOG LISTING
1TL133 SERIES CHART 1
PAGE 1 OF 1

ISSUE
M
5

REVISIONS	CHECK
A 88261 J J A 29 NOV 99	
B 204128 KED 10 OCT 01	
C 205815 G J W 13 JUN 02	
D 206396 C S L 9 SEP 02	

1TL133 SERIES

REPLACES

NO CO-78465

CHECK

CHECK

23 JUN 94

CHECK

10 JUN 94

DLT

RASTER

DRAWN

THIRD ANGLE PROJECTION

SCALE FULL

DO NOT SCALE PRINT

TOLERANCES
APPLY TO DESIGN UNITS CONVERSIONS ARE ONLY FOR REFERENCE UNLESS NOTED TOLERANCES ARE 2

	DI	TOL	DI	TOL
	IN	MM/IN	IN	MM/IN
NO PLACES	X	1/64	X X	0.01/08
ONE PLACE	X X	0.01/016	X X X	0.001/016
TWO PLACES	X X X	0.001/008	X X X X	0.0001/008
THREE PLACES	X X X X	0.0001/008	X X X X X	0.00001/008

SI METRIC

US CUSTOMARY

DESIGN UNITS

RAW MATERIAL - COMMERCIAL STANDARD

MICRO SWITCH STANDARDS APPLY

DIMENSIONS ARE TO BE MET BEFORE

PROTECTIVE COATINGS ARE APPLIED

WEIGHT .08 LB APPROX

L191 15A 125, 250, 277 VAC
1/2HP 125 VAC
1HP 250, 277 VAC
5A 125 VAC "L"



L192 10A 125, 250, 277 VAC
1/4HP 125 VAC,
1/2HP 250, 277 VAC
3A 125 VAC "L"

