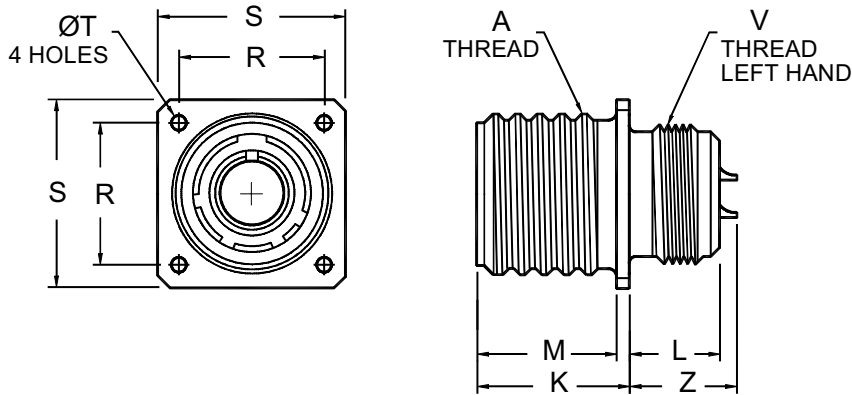


SWLD SERIES

SCP1940

SCP17343

WALL MOUNT RECEPTACLE



SHELL SIZE	A THREAD CLASS 2A	K +.021 -.020 [+0.53] [-0.51]	L ±.020 [±0.51]	M +.010 -.000 [+0.25] [-0.00]	R (TP)	S +.021 -.020 [+0.53] [-0.51]	T ±.005 [±0.13]	V THREAD CLASS 2A-LH	Z	
									MAX.	MIN.
									②	(SIZE 0 ONLY)
12	.875-0.1P-0.2L-DS	.938 [23.83]	.640 [16.26]	.797 [20.24]	.906 [23.01]	1.188 [30.18]	.150 [3.81]	.7500-20 UNEF	.726 [18.44]	NA
14	1.0000-0.1P-0.2L-DS	.938 [23.83]	.640 [16.26]	.797 [20.24]	.969 [24.61]	1.281 [32.54]	.150 [3.81]	.8750-20 UNEF	.726 [18.44]	
16	1.1250-0.1P-0.2L-DS	.938 [23.83]	.640 [16.26]	.797 [20.24]	1.062 [26.97]	1.375 [34.92]	.150 [3.81]	1.0000-20 UNEF	.726 [18.44]	
18	1.2500-0.1P-0.2L-DS	.953 [24.21]	.625 [15.87]	.797 [20.24]	1.156 [29.36]	1.500 [38.10]	.177 [4.50]	1.1250-18 NEF	.711 [18.06]	
20	1.3750-0.1P-0.2L-DS	.953 [24.21]	.625 [15.87]	.797 [20.24]	1.250 [31.75]	1.625 [41.27]	.177 [4.50]	1.2500-18 NEF	.711 [18.06]	.780 [19.81]
22	1.5000-0.1P-0.2L-DS	.953 [24.21]	.625 [15.87]	.797 [20.24]	1.375 [34.92]	1.750 [44.45]	.177 [4.50]	1.3750-18 NEF	.711 [18.06]	.686 [17.42]
24	1.7500-0.1P-0.2L-DS	1.047 [26.59]	.594 [15.09]	.859 [21.82]	1.562 [39.67]	2.000 [50.80]	.177 [4.50]	1.6250-18 NEF	.617 [15.67]	
28	2.0000-0.1P-0.2L-DS	1.047 [26.59]	.594 [15.09]	.859 [21.82]	1.750 [44.45]	2.250 [57.15]	.177 [4.50]	1.8750-16 UN	.617 [15.67]	
32	2.2500-0.1P-0.2L-DS	1.111 [28.22]	.530 [13.46]	.922 [23.42]	1.938 [49.23]	2.500 [63.50]	.209 [5.31]	2.0625-16 N	.553 [14.05]	.622 [15.80]
36	2.5000-0.1P-0.2L-DS	1.111 [28.22]	.530 [13.46]	.922 [23.42]	2.188 [55.58]	2.750 [69.85]	.209 [5.31]	2.3125-16 N	.553 [14.05]	.622 [15.80]
40	2.7500-0.1P-0.2L-DS	1.111 [28.22]	.703 [17.86]	.922 [23.42]	2.375 [60.32]	3.000 [76.20]	.209 [5.31]	2.6250-16 UN	.553 [14.05]	.622 [15.80]
44	3.0000-0.1P-0.2L-DS	1.109 [28.17]	.703 [17.86]	.922 [23.42]	2.625 [66.67]	3.250 [82.55]	.209 [5.31]	2.8750-16 UN	.797 [20.24]	.622 [15.80]

SC6B211

1. DIMENSIONS IN BRACKETS [] ARE IN MILLIMETERS.

② FOR SIZE 0 CONTACTS ONLY, INCREASE Z DIMENSION BY .312 [7.92] FOR SHELL SIZES 12 THRU 40 AND BY .062 [1.57] FOR SHELL SIZE 44.