



## SPECIFICATION FOR APPROVAL

### 1/10W, 0201, Low Resistance Chip Resistor (Lead / Halogen Free)

#### 1. Scope

This specification applies to 0.6mm x 0.3mm size 1/10W, fixed thick film low resistance value chip resistors rectangular type.

#### 2. Type Designation

RLT0306 - C - □□□□ □  
 (1) (2) (3) (4)

Where

(1) Size No.

(2) Power Rating:

$$C = 1/10W$$

(3) Resistance value: Refer to paragraph 4-1

For example --

Four digits of number

$$R510 = 0.51\Omega$$

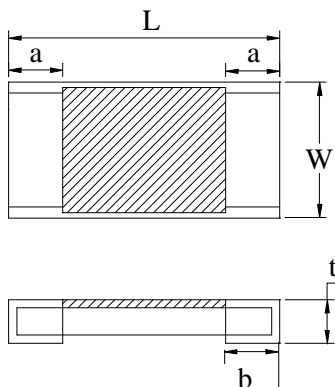
$$1R00 = 1.0\Omega$$

The "R" shall be used as a decimal point

(4) Resistance tolerance:

$$F = \pm 1.0\%, G = \pm 2\%, J = \pm 5\%$$

#### 3. Outline Dimensions



Code Letter	Dimension
L	0.60 ± 0.03
W	0.31 ± 0.04
t	0.27 ± 0.04
a	0.14 ± 0.06
b	0.14 ± 0.06

Unit : mm



## SPECIFICATION FOR APPROVAL

### 4. Ratings

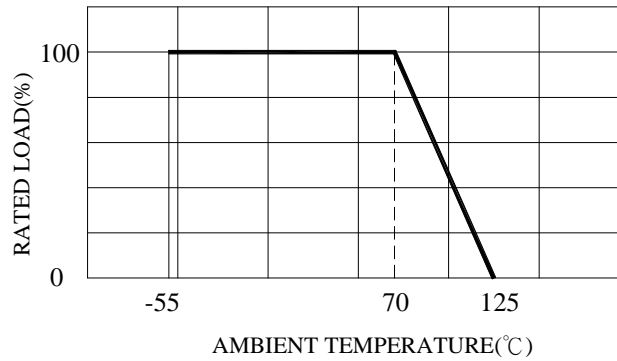
#### 4-1 Specification

Table 1

Power Rating*	1/10W	
Resistance Tolerance	1%(F), 2%(G), 5%(J)	
Resistance Range	0.5 ~ <1.0Ω	1.0 ~ 2.0Ω
Temperature Coefficient of Resistance(ppm/°C)	± 300	± 200

Note\*:

Power Rating is based on continuous full load operation at rated ambient temperature of 70 °C. For resistor operated at ambient temperature in excess of 70 °C, the maximum load shall be derated in accordance with the following curve.



#### 4-2 Rated Voltage

The d.c. or a.c. r.m.s. voltage shall be calculated from the following expression

$$V = \sqrt{P \times R}$$

Where V : Rated voltage (V)

P : Rated power (W)

R : Nominal resistance (Ω)

#### 4-3 Operating and Storage Temperature Range

-55 to +125 °C

## SPECIFICATION FOR APPROVAL

### 5. Characteristics

#### 5-1 Electrical

Item	Specification and Requirement	Test Method (JIS 5201)
Temperature Coefficient of Resistance (TCR)	As follow table 1.	Room temperature Room temperature+100°C
Short Time Overload	$\Delta R : 1.0\%$ Without damage by flashover, spark, arcing, burning or breakdown	(1) Applied voltage: 2.5 x rated voltage (2) Test time: 5 seconds
Insulation Resistance	Over 100 M $\Omega$ on Overcoat layer face up Over 1,000 M $\Omega$ on Substrate side face up	(1) Setup as figure 1 (2) Test voltage: 100V <sub>DC</sub> ±15V <sub>DC</sub> (3) Test time: 60 + 10 / - 0 seconds
Voltage Proof	Resistance range:±1.0% Without damage by flashover, spark, arcing, burning or breakdown	(1) Setup as figure 1 (2) Test voltage: 100V <sub>AC</sub> (rms.) (3) Test time: 60 + 10 / - 0 seconds

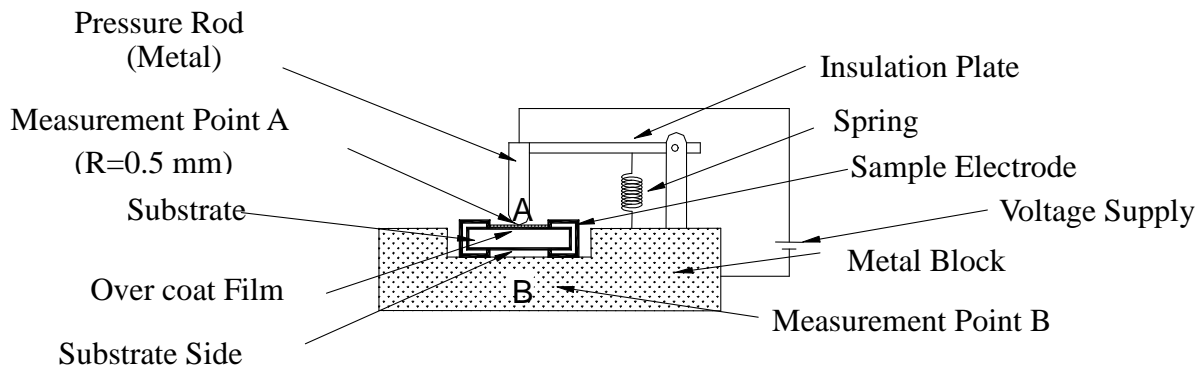


Figure 1 : Measurment Setup

**SPECIFICATION FOR APPROVAL**

## 5-2 Mechanical

Item	Specification and Requirement	Test Method (JIS 5201)
Solderability	The surface of terminal immersed shall be minimum of 95% covered with a new coating of solder	Solder bath: After immersing in flux, dip in $245 \pm 5^{\circ}\text{C}$ molten solder bath for $2 \pm 0.5$ seconds
Resistance to Solder Heat	$\Delta R : \pm 1.0\%$ Without distinct deformation in appearance	(1) Pre-heat: $100\sim 110^{\circ}\text{C}$ for 30 seconds (2) Immersed at solder bath of $270 \pm 5^{\circ}\text{C}$ for $10 \pm 1$ seconds (3) Measuring resistance 1 hour after test
Bending Test	$\Delta R : \pm 1.0\%$ Without mechanical damage such as break	Bending value: 3 mm for $30 \pm 1$ seconds



## SPECIFICATION FOR APPROVAL

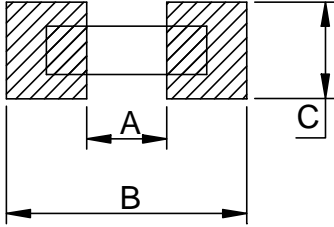
### 5-3 Endurance

Item	Specification and Requirement	Test Method (JIS 5201)
Rapid Change of Temperature	$\Delta R : \pm 1.0\%$ Without distinct damage in appearance	(1) Repeat 5 cycle as follow: (-55 ± 3°C, 30minutes) →(Room temperature, 2~3 minutes) →(+125 ± 2°C, 30minutes) →(Room temperature 2~3 minutes) (2) Measuring resistance 1 hour after test
Moisture with Load	$\Delta R : (1.0\%+0.05\Omega)$ Without distinct damage in appearance	(1) Environment condition: 40 ± 2°C, 90~95% RH (2) Applied Voltage: rated voltage (3) Test period: (1.5 hour ON) →(0.5 hour OFF) cycled for total 1,000 + 48 / - 0 hours (4) Measuring resistance 1 hour after test
Load Life	$\Delta R : \pm(1.0\%+0.05\Omega)$ Without distinct damage in appearance	(1) Test temperature: 70 ± 3°C (2) Applied Voltage: rated voltage (3) Test period: (1.5 hour ON) →(0.5 hour OFF) cycled for total 1,000 + 48 / - 0 hours (4) Measuring resistance 1 hour after test
Low Temperature Store	$\Delta R : (1.0\%+0.05\Omega)$ Without distinct damage in appearance	(1) Store temperature: -55 ± 3°C for total 1,000 + 48 / - 0 hours (2) Measuring resistance 1 hour after test
High Temperature Store	$\Delta R : \pm(1.0\%+0.05\Omega)$ Without distinct damage in appearance	(1) Store temperature: +125 ± 2°C for total 1,000 + 48 / - 0 hours (2) Measuring resistance 1 hour after test



### SPECIFICATION FOR APPROVAL

#### 6. Recommend Land Pattern Dimensions



A	0.3
B	1.0
C	0.3~0.7

Unit : mm

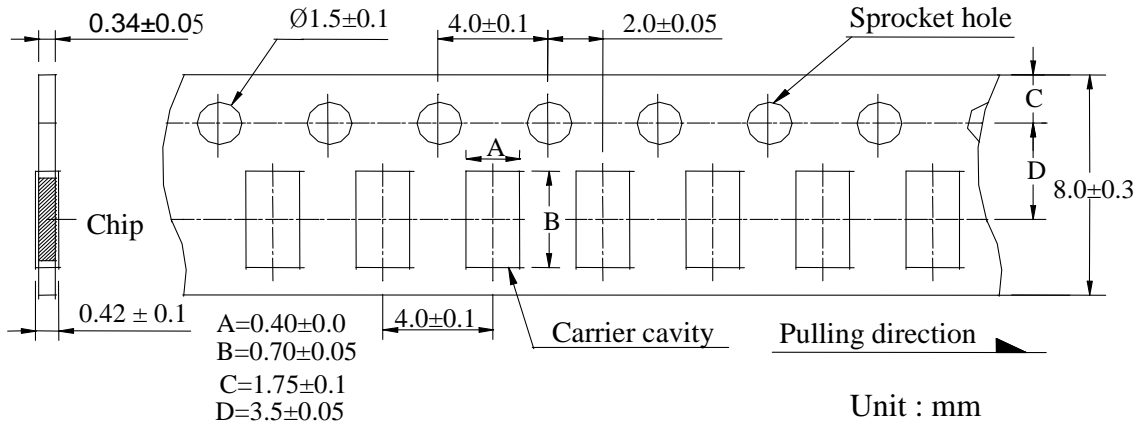


**SPECIFICATION FOR APPROVAL**

7.Packaging

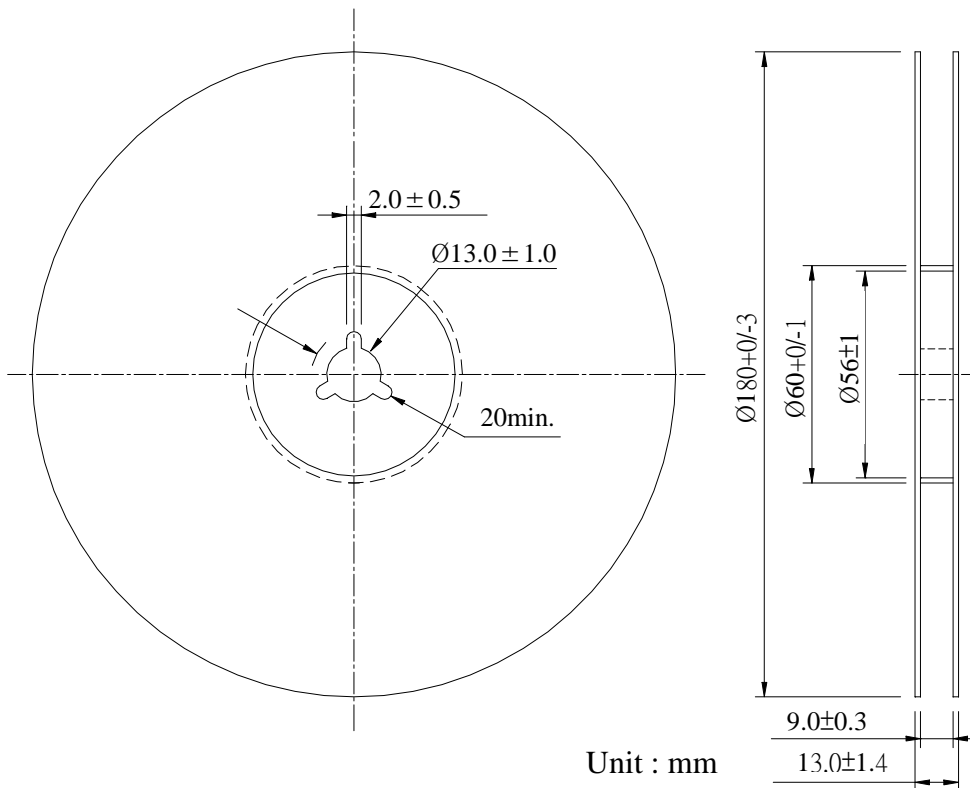
7-1 Dimensions

7-1-1 Tape packaging dimensions



Remark: Leader tape length  $\geq 30$  cm( 150 Hollow carrier cavity)

7-1-2 Reel dimensions



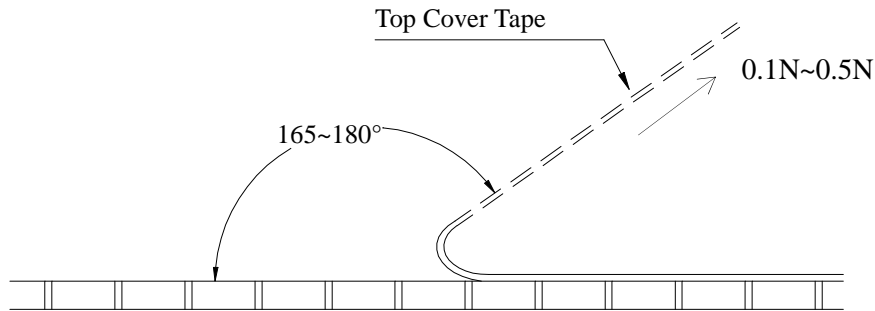


## SPECIFICATION FOR APPROVAL

### 7-2 Peel force of top cover tape

The peel speed shall be about 300 mm/min.

The peel force of top cover tape shall be between 0.1 to 0.5 N.



### 7-3 Numbers of taping 10,000 pieces /reel

### 7-4 Label making

The following items shall be marked on the reel.

- (1) Type designation.
- (2) Quantity
- (3) Manufacturing date code
- (4) Manufacturer's name





## SPECIFICATION FOR APPROVAL

### 8. Carenote

#### 8-1 Care note for storage

- (1) Chip resistor shall be stored in a room where temperature and humidity must be controlled. (temperature 5 to 35°C , humidity 45 to 85% RH) However, a humidity keep it low, as it is possible.
- (2) Chip resistor shall be stored as direct sunshine doesn't hit on it.
- (3) Chip resistor shall be stored with no moisture, dust, a material that will make solderability inferior, and a harmful gas (Chloridation hydrogen, sulfurous acid gas, and sulfuration hydrogen)

#### 8-2 Carenote for operating and handling

- (1) It is necessary to protect the edge and protection coat of resistors from mechanical stress.
- (2) Handle with care when printing circuit board (PCB) is divided or fixed on support body, because bending of printing circuit board (PCB) mounting will make mechanical stress for resistors.
- (3) Resistors shall be used with in rated range shown in specification. Especially, if voltage more than specified value will be loaded to resistor, there is a case it will make damage for machine because of temperature rise depending on generating of heat, and increase resistance value or breaks.
- (4) In case that resistor is loaded a rated voltage, it is necessary to confirms temperature of a resistor and to reduce a load power according to load reduction curve, because a temperature rise of a resistor depends on influence of heat from mounting density and neighboring element.
- (5) Observe Limiting element voltage and maximum overload voltage specified in each specification
- (6) If there is possibility that a large voltage (pulse voltage, shock voltage) charge to resistor, it is necessary that operating condition shall be set up before use.