

OB3330

High PF, High CC, PSR LED Controller

OB3330 is a high power factor, primary side regulation LED controller with advanced technology to provide high efficiency and high constant current precision control for LED lighting applications. OB3330 achieves comprehensive protection feature, low external component count and low ripple current. OB3330 solution can be easily designed and manufactured for high performance LED lighting application.

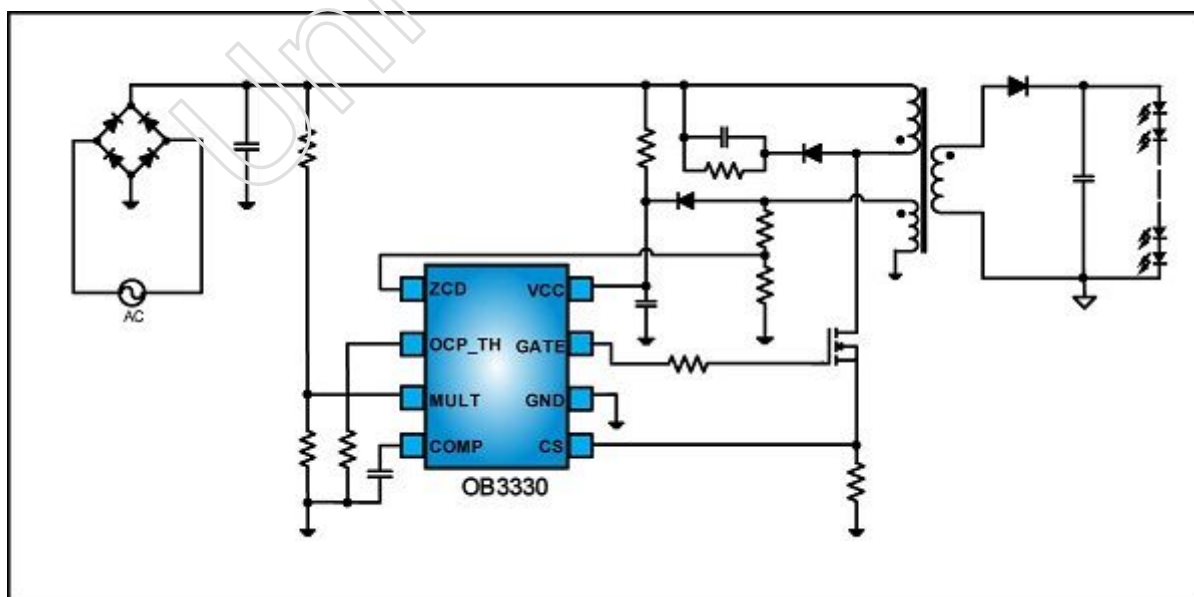
Features:

- ◆ Primary-Side Control with Single Stage PFC Topology (PF>0.9)
- ◆ High Current Accuracy
- ◆ Analog Multiplier for High Power Factor Correction
- ◆ Transition Mode (TM) Operation to Achieve High Efficiency
- ◆ Eliminate Opto-coupler and TL431 to Reduce BOM Count
- ◆ Ultra-low Start-up Current and Operating Current
- ◆ Soft-start function
- ◆ Cycle-by-Cycle Current Limiting (OCP)
- ◆ Selectable Threshold of OCP
- ◆ VCC Under Voltage Lockout (UVLO)
- ◆ VCC Over Voltage Protection
- ◆ Output Over Voltage Protection
- ◆ Over-temperature Protection
- ◆ LED Open and Short Circuit Protection
- ◆ Available in SOP8 package, RoHS compliant

Applications:

- ◆ LED Bulb, PAR, Tube
- ◆ LED Down light, Floodlight
- ◆ External LED driver module

Typical Application:



[关闭窗口]